

## Parts List for 55,500 Series Brakes

### Information required when ordering replacement parts:

When ordering brake parts, give part number of parts or kits needed, brake model number and brake serial number. The brake model and serial number may identify special brakes not covered by this parts list.

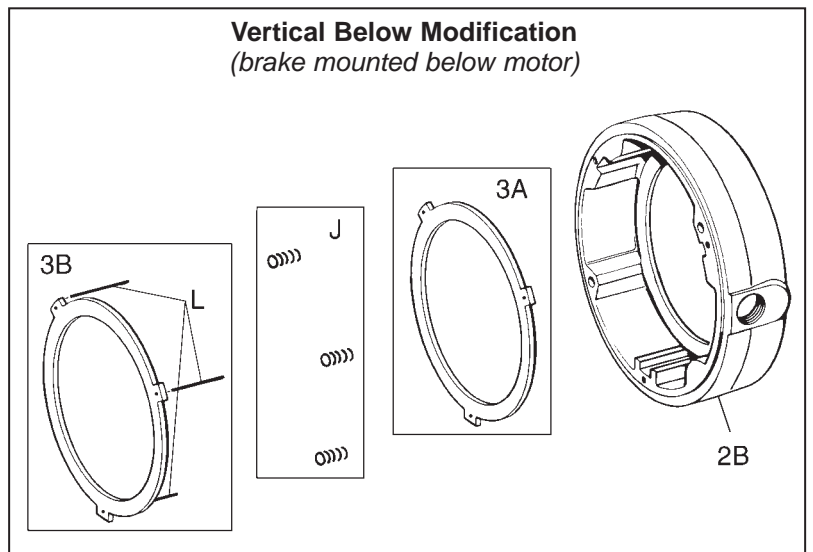
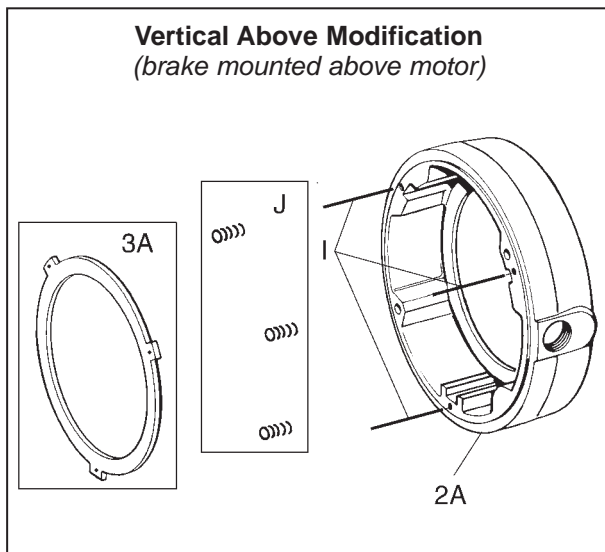
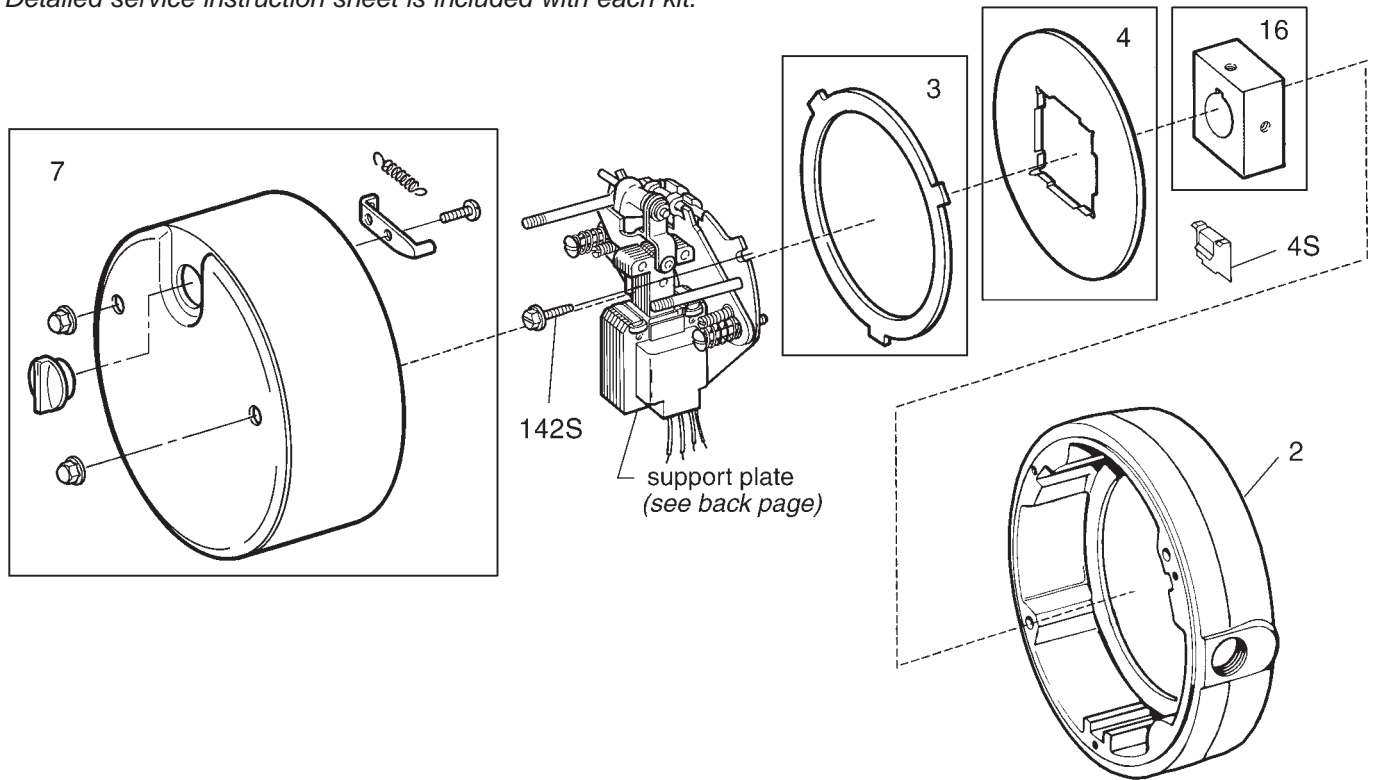
Description items in ***CAPITALIZED BOLD ITALICS*** are recommended spare parts. One set per 5 brakes in service is recommended.

When ordering hubs, specify shaft diameter (hub bore) and keyway. Consult factory for bores not listed.

Standard enclosure only.

For installation and service instructions, see P/N 8-078-925-00.

Detailed service instruction sheet is included with each kit.



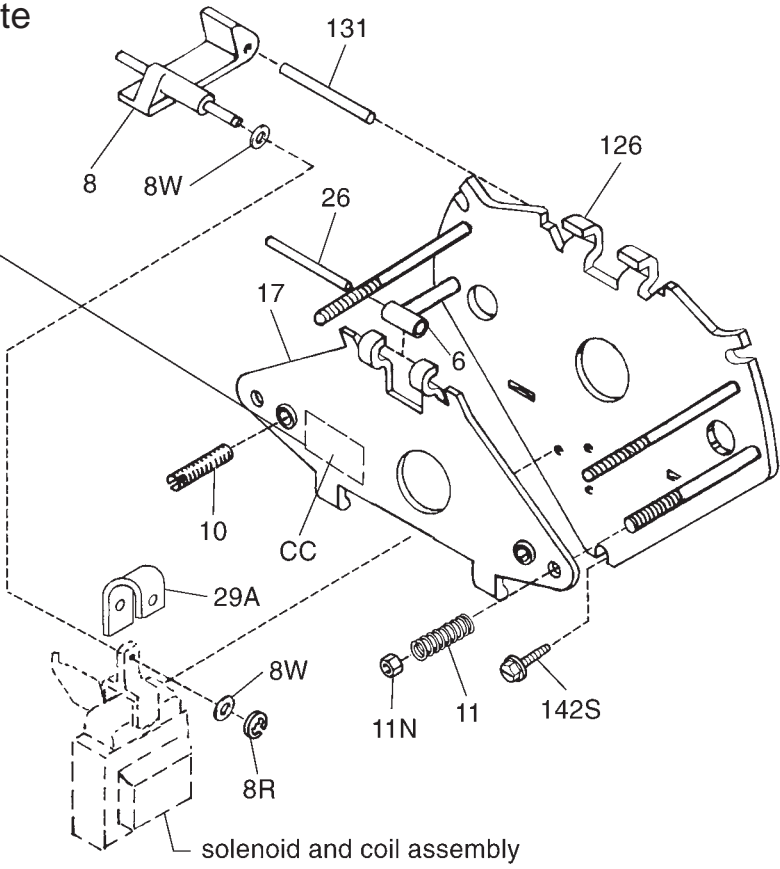
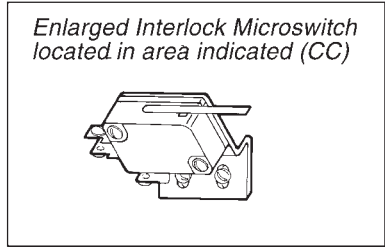
**TABLE 1**  
*Components of Standard AC or DC Brakes*

Item	Description	Part Number ↓	Torque (lb-ft)		1.5 & 3		6		9 & 10		15	
			Current		AC	DC	AC	DC	AC	DC	AC	DC
			Brake Model Number →		1-055-501-00	1-055-511-00	1-055-505-00	1-055-515-00	1-055-521-00	1-055-525-00	1-055-530-00	1-055-531-00
7	Housing and release knob kit	5-66-8755-00	1	1	1	1	1	1	1	1	1	1
3	<b>STATIONARY DISC KIT</b>	5-66-8351-00	1	1	1	1	1	2	2	2	2	2
4	<b>FRICION DISC KIT</b>	5-66-8452-00	1	1	1	1	1	2	2	2	2	2
4S	Stabilizing spring	8-161-501-00	2	2	2	2						
16	Hub and set screw assembly 5/8 bore	5-16-5101-00-01B	1	1	1	1						
	Hub and set screw assembly 7/8 bore	5-16-5101-00-01D	1	1	1	1						
	Hub and set screw assembly 5/8 bore	5-16-5103-00-01B					1	1	1	1	1	1
	Hub and set screw assembly 7/8 bore	5-16-5103-00-01D					1	1	1	1	1	1
2	Endplate	5-02-5003-00	1	1	1	1	1	1	1	1	1	1

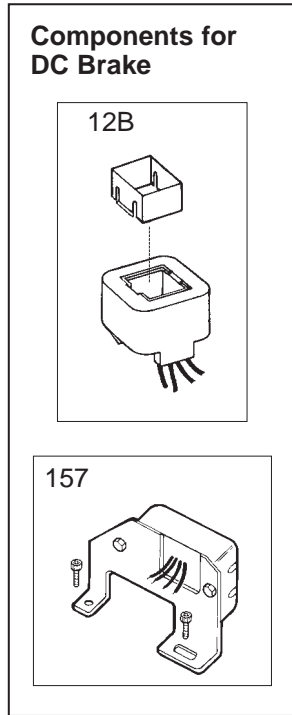
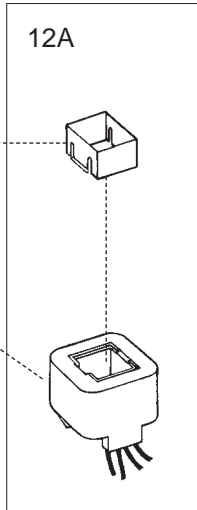
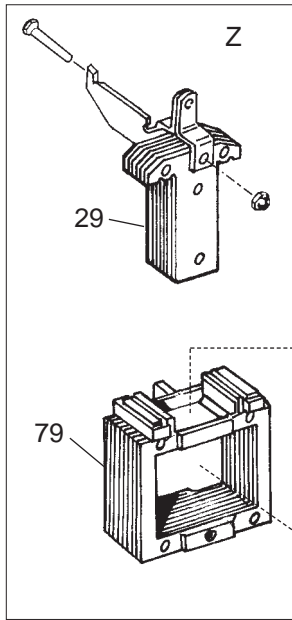
**TABLE 2**  
*Components for Vertical Modifications (no modifications required for 1.5 through 6 lb-ft brakes)*

Item	Description	Part Number ↓	Torque (lb-ft)		9 & 10		15	
			Current		AC	DC	AC	DC
			Brake Model Number →		1-055-530-00	1-055-531-00	1-055-535-00	1-055-541-00
<b>Vertical Above Modification</b>								
2A	Endplate assembly <i>(with pins)</i>	5-02-5010-00	1	1	1	1	1	1
3A	<b>STATIONARY DISC KIT - VERTICAL MOUNTING</b>	5-66-8352-00	2	2	2	2	2	2
I	Vertical above mounting pin	9-32-4060-00	3	3	3	3	3	3
J	Vertical mounting spring kit - blue	5-66-3151-00	1	1	1	1	1	1
	Vertical mounting spring kit - white	5-66-3152-00	1	1	1	1	1	1
<b>Vertical Below Modification</b>								
3B	<b>PRESSURE PLATE KIT VERTICAL MOUNTING (WITHOUT PINS)</b>	5-66-8553-00	1	1	1	1	1	1
L	Vertical mounting pins	9-32-4070-00	3	3	3	3	3	3
H	Stationary disc kit vertical mounting	5-66-8352-00	1	1	1	1	1	1
J	Vertical mounting spring kit blue	5-66-3151-00	1	1	1	1	1	1
2B	Endplate assembly	5-02-5011-00	1	1	1	1	1	1

## Support Plate Assembly



## Solenoid and Coil Assembly



**TABLE 3** Components of Support Plate and Coil Assembly

Item	Description	Part Number	Torque (lb-ft)		
			1.5 to 3	6 to 10	15
*	Support plate assembly	5-42-5551-00	1		
*	Support plate assembly	5-42-5552-00		1	
*	Support plate assembly	5-42-5553-00			1
6	Bearing	8-006-501-00	1	1	1
8	Solenoid lever	8-008-504-01	1	1	1
8R	Retaining ring	9-03-0057-00	1	1	1
8W	Spacer	9-45-0168-00	2	2	2
11N	Torque adjustment nut	9-40-3928-00	2	2	2
10	Wear adjustment screw	8-100-501-00	2	2	2
11	Pressure spring	9-70-1210-00	2		
	Pressure spring	9-70-1302-00		2	
	Pressure spring	9-70-1306-00			2
17	Lever arm and stop nut assy.	5-17-5002-00	1	1	1
26	Bearing pin	9-29-4826-00	1	1	1
29A	Plunger stop	8-094-504-00	1	1	1
126	Support plate and spring stud assembly	5-26-5012-00	1	1	
	Support plate and spring stud assembly	5-26-5011-00			1
131	Pivot pin	9-29-4836-00	1	1	1
142S	Mounting screws	9-25-7331-00	3	3	3
<b>AC Brakes</b>					
Z	<b>NO. 4 SOLENOID KIT</b>	5-66-5041-00	1	1	1
12A	<b>NO. 4 COIL KIT 60 HZ</b>	115/230 Vac	5-66-6407-33	1	1
		230/460 Vac	5-66-6409-33	1	1
		115 Vac	5-66-6401-33	1	1
		230 Vac	5-66-6402-33	1	1
		460 Vac	5-66-6404-33	1	1
		575 Vac	5-66-6405-33	1	1
	<b>NO. K4 COIL KIT 60 HZ</b>	115/230 Vac	5-66-6457-33		1
		230/460 Vac	5-66-6459-33		1
		115 Vac	5-66-6451-33		1
		230 Vac	5-66-6452-33		1
		460 Vac	5-66-6454-33		1
	474 Vac	5-66-6455-33		1	
CC	Interlock microswitch	5-57-5515-00	1	1	1
<b>DC Brakes</b>					
12B	<b>NO. 4 COIL ASSEMBLY</b>	115 Vdc	5-96-6416-33	1	1
		230 Vdc	5-96-6417-33	1	1
	<b>NO. K4 COIL ASSEMBLY</b>	115 Vdc	5-96-6466-33		1
		230 Vdc	5-96-6467-33		1
157	<b>ELECTRONIC DC SWITCH KIT</b>	24/28 Vdc	5-57-5712-07	1	1
		115 Vdc	5-57-5716-07	1	1
		230 Vdc	5-57-5717-07	1	1

\*All items shown at left except solenoid and coil.

**TABLE 4** Contents of Kits and Assemblies (contents may vary)

Letter Designation	Kit Description
7	Housing and release knob kit (5-66-8755-00) 1 - Housing and release knob assembly 2 - Housing nuts
3	Stationary disc kit (5-66-8351-00) 1 - Stationary disc
4	Friction disc kit (5-66-8452-00) 1 - Friction disc
16	Hub and set screw assemblies all types, all bores (5-16-51XX-00) 1 - Brake hub 2 - Set screws
3A	Stationary disc kit - vertical mounting (5-66-8352-00) 1 - Stationary disc for vertical above or below mounting
J	Vertical mounting spring kit - blue (5-66-3151-00) 3 - Vertical mounting springs -blue Vertical mounting spring kit - white (5-66-3152-00) 3 - Vertical mounting springs - white
3B	Pressure plate kit - vertical mounting (5-66-8553-00) 1 - Pressure plate - vertical below
Z	No. 4 solenoid kit (5-66-5041-00) 1 - Plunger 1 - Solenoid link 1 - Frame (including mounting bracket) 1 - Solenoid link cap screw 1 - Solenoid link nut 3 - Solenoid mounting screws
12A 12B	No. 4 and K4 coil kit (5-66-64XX-33) and assembly (5-96-64XX-33) (all voltages) Coil Top plunger guide Wire nuts } where Crimp terminals } required
157	DC switch kit (5-57-57XX-05) 1 - Switch 1 - Mounting bracket 2 - Support plate mounting screws 2 - Switch mounting screws 2 - Nuts 3 - Crimp connectors
CC	Interlock microswitch (5-57-5515-00) 1 - Microswitch 1 - Mounting bracket 4 - Screws 2 - Lock washers 2 - Star washers 2 - Nuts