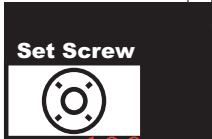


# Browning®

## Ball Bearings



100

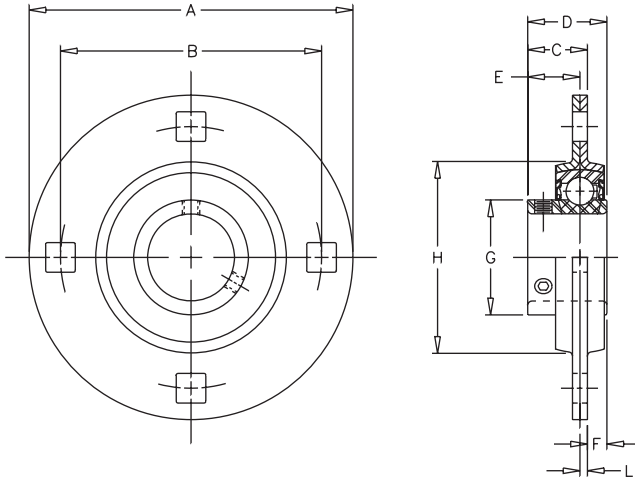
STAMPED S  
 STEEL S  
 FLANGE F  
 FOUR BOLT 4  
 SET SCREW S

# SSF4S-100

Lock: Set Screw  
 Seal: Contact  
 Housing: Stamped Steel  
 Temperature: -20°F to 200°F  
 Inserts: LS-100  
 Dimensions pg 46

100 1  
 LIGHT 0  
 DUTY 0

No Re-Lube



SHAFT DIA. IN.	MAX STEADY RADIAL LOAD LBS.	UNIT NO.	BRG NO.	Dimensions In Inches									BOLT SIZE	UNIT WT.
				A	B	C	D	E	F	G	H	L		
1 1/2	1700	SSF4S-124	LS-124	5 13/16	4 11/16	1 5/64	1 27/64	15/16	11/32	2 1/16	3 7/16	.134	1/2	3.5
1 11/16	1700	SSF4S-127	LS-127	5 7/8	4 3/4	1 3/32	1 7/16	61/64	11/32	2 19/64	3 5/8	.134	1/2	3.9
1 3/4		SSF4S-128	LS-128											
1 15/16	1900	SSF4S-131	LS-131	6 1/8	5	1 3/16	1 35/64	1 3/64	23/64	2 15/32	3 27/32	.149	1/2	4.0

### CROSS REFERENCE TO COMPETITORS PRODUCTS

REPLACES DODGE F4B-SL	REPLACES MB TFPS3	REPLACES SEALMASTER BRONZE SSFF	
	REPLACES LINK-BELT MSC*		

Refer to Interchange Section Page 166 for more detail.  
 \*-Bearings not included

See page 156 for trademark acknowledgments.