



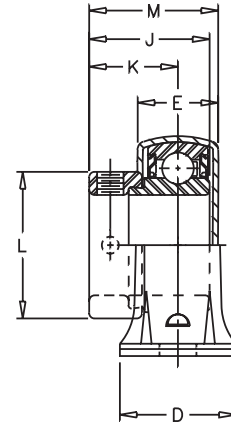
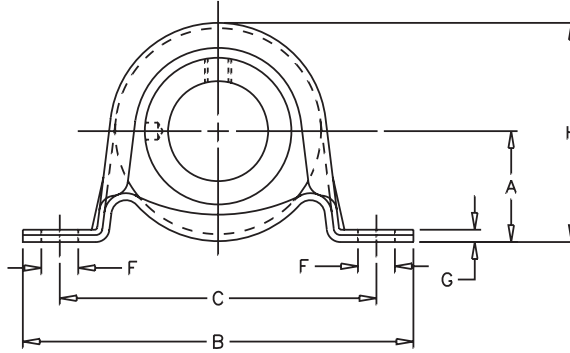
SSPE-100

Lock: Eccentric
Seal: Contact
Housing: Stamped Steel
Temperature: -20°F to 200°F
Self Alignment: ±1.5°
Inserts: LE-100
 Dimensions pg 97

S STAMPED
S STEEL
P PILLOW BLOCK
E ECCENTRIC

1 100
0 LIGHT
0 DUTY

No Re-Lube



SHAFT DIA. IN.	MAX STEADY RADIAL LOAD LBS	UNIT NO.	BRG. NO.	Dimensions In Inches												UNIT WT.
				A	B	C	D	E	F	G	H	J	K	L	M	
7/8	400	SSPE-114	LE-114													
15/16		SSPE-115	LE-115	1 1/8	4 1/4	3 3/8	1 1/4	27/32	7/16	1/8	2 13/64	1 17/64	59/64	1 1/2	1 11/32	0.7
1		SSPE-116	LE-116													
1 1/8	600	SSPE-118	LE-118													
1 3/16		SSPE-119	LE-119	1 5/16	4 5/8	3 3/4	1 3/8	61/64	7/16	5/32	2 19/32	1 7/16	1 1/16	1 3/4	1 17/32	1.1
1 1/4		SSPE-120S	LE-120S													

CROSS REFERENCE TO COMPETITORS PRODUCTS

REPLACES DODGE P2B-SLX	REPLACES SKF S-FM	REPLACES SEALMASTER BRONZE SSP-E	REPLACES NTN AELPP2
REPLACES FAFNIR PB			

Refer to Interchange Section Page 166 for more detail.