

Browning®

Ball Bearings



100

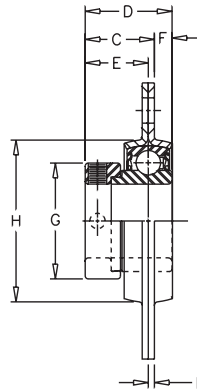
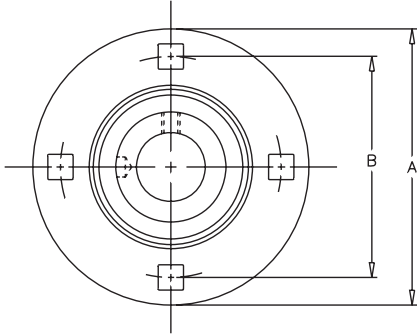
STAMPED S
 STEEL S
 FLANGE F
 FOUR BOLT 4
 ECCENTRIC E

SSF4E-100

Lock: Eccentric
 Seal: Contact
 Housing: Stamped
 Temperature: -20°F to 200°F
 Self Alignment: ±1.5°
 Inserts: LE-100
 Dimensions pg 97

No Re-Lube

100 1
 LIGHT 0
 DUTY 0



SHAFT DIA. IN.	MAX STEADY RADIAL LOAD LBS.	UNIT NO.	BRG NO.	Dimensions In Inches									BOLT SIZE	UNIT WT.
				A	B	C	D	E	F	G	H	L		
1 1/2	1700	SSF4E-124	LE-124	5 13/16	4 11/16	1 27/64	1 49/64	1 9/32	11/32	2 3/8	3 27/64	.134	1/2	3.0
1 11/16	1700	SSF4E-127	LE-127	5 7/8	4 3/4	1 27/64	1 49/64	1 9/32	11/32	2 1/2	3 5/8	.134	1/2	3.5
1 3/4	1900	SSF4E-128	LE-128	6 1/8	5	1 7/16	1 25/32	1 9/32	11/32	2 3/4	3 27/32	.149	1/2	3.6

CROSS REFERENCE TO COMPETITORS PRODUCTS

REPLACES DODGE F4B-SLX		REPLACES SEALMASTER BRONZE SSFF-E	
REPLACES FAFNIR RR	REPLACES LINK-BELT MSC*		

Refer to Interchange Section Page 166 for more detail.
 *-Bearings not included

See page 156 for trademark acknowledgments.