

# Model No. 0985 Terminal Box Kit: Mounting Instructions for Bodine Type 34R, 42R, and 48R (AC) Gearmotors and Motors

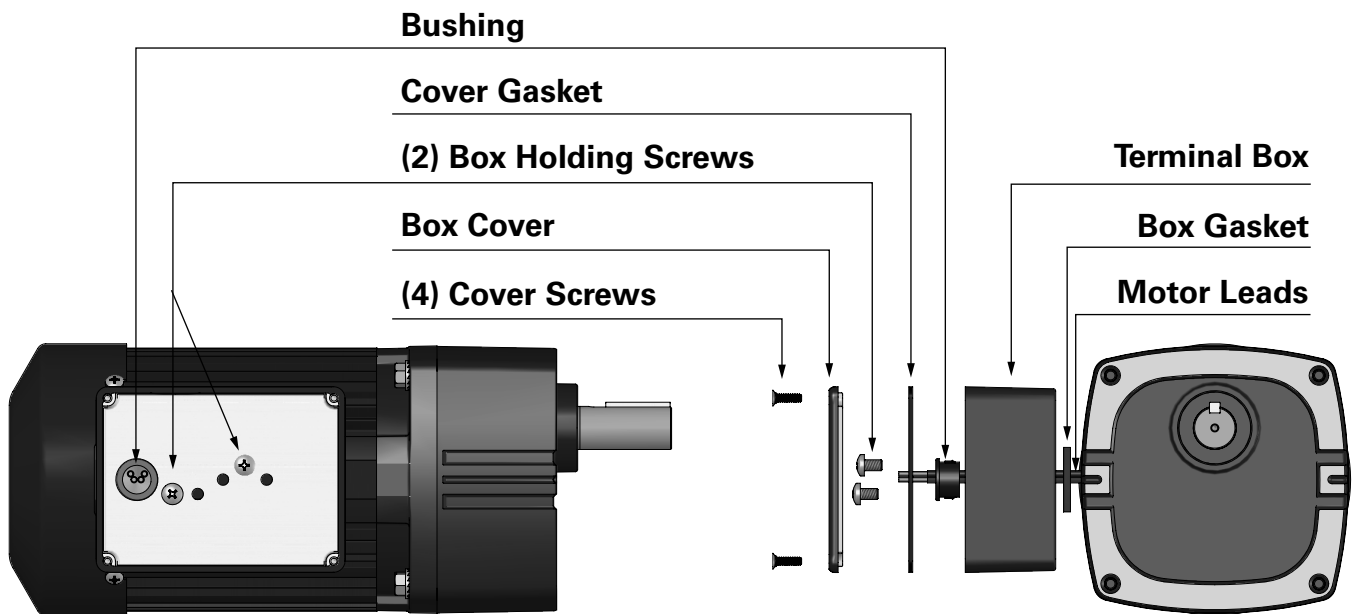
Terminal box kit model 0985 is intended to be used with our 42R6-FX permanent split capacitor gearmotors if a user desires to install the run capacitor, P/N 49401145, inside this IP-44 rated terminal box. This oversized terminal box can also be installed on our standard 34R, 42R, and 48R gearmotors and motors.

- 1) Unscrew and remove the plastic bushing from the motor's center ring lead exit and discard. *(Exception: For type 34R gearmotor/motor, leave standard bushing in place.)*
- 2) Remove the protective backing and apply the foam rubber gasket to the outside face of the terminal box, aligning the precut gasket holes with the terminal box holes.
- 3) If possible, position the gearmotor/motor with the lead exit facing up. Guide the motor leads through the .625 inch diameter hole in the bottom of the terminal box. Slip the supplied bushing over the motor leads, flange side trailing, and snap the bushing into the hole. *(Exception: For type 34R gearmotors/motors, the supplied snap bushing is not used and may be discarded.)*

- 4) Position the terminal box over the corresponding tapped mounting holes in the motor center ring. Install the two (2) supplied #10-32 x .31 inch long pan head screws and tighten to 30 lb-in.
- 5) The motor leads may be shortened by cutting and re-stripping if deemed necessary. Connect the unit to the line per the connection diagram provided with the motor. **(WARNING: wiring must conform to NEC and other applicable standards.)**
- 6) Remove the protective backing and apply the cover gasket to the inside face of the cover. Fasten the terminal box cover with gasket onto the terminal box using the four (4) supplied #6-32 x .50 inch long o-ring-equipped flat head phillips screws. Tighten the cover screws to 75 oz-in.

Please contact our tech support team if you have additional questions or need assistance. E-mail: [info@bodine-electric.com](mailto:info@bodine-electric.com).

**⚠ WARNING:** Gearmotor/motor must be disconnected from electrical power source before installing terminal box.



**NOTE:** T-box mounting instructions for Bodine 33A and 42A DC gearmotors and motors are on the other side.

# Model No. 0985 Terminal Box Kit: Mounting Instructions for Bodine Type 33A and 42A (PMDC) Gearmotors and Motors

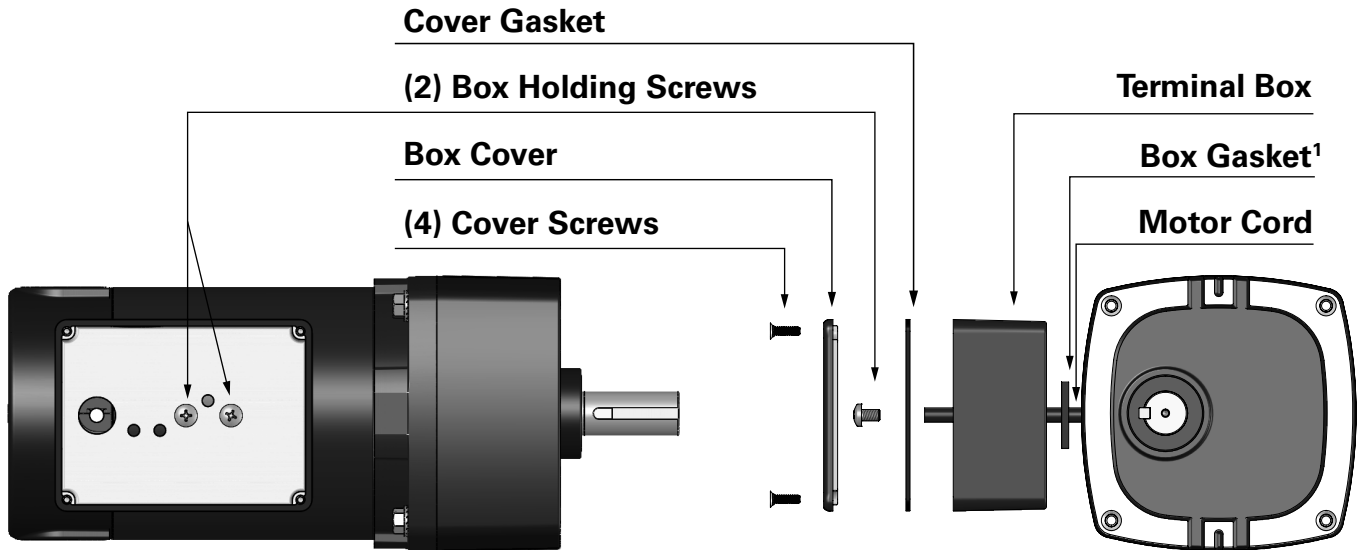
This oversized terminal box can be installed on our standard 33A and 42A gearmotors and motors if IP-44 is required, or if our standard terminal box, model 0984 is not large enough.

- 1) Cut and strip the motor power cord to the desired length.
- 2) Remove the protective backing and apply the foam rubber gasket to the outside face of the terminal box, aligning the precut gasket holes with the terminal box holes. **For 33A gearmotors/motors — two gaskets are required.** Affix the second gasket, similarly, to the motor ring, aligning the appropriate holes in the gasket with the two tapped holes in the ring.
- 3) If possible, position the gearmotor/motor with the cord exit facing up. Guide the motor power cord through the .625 inch diameter hole in the bottom of the terminal box. The supplied snap bushing is not used and may be discarded.

- 4) Position the terminal box over the corresponding tapped mounting holes in the motor center ring. Install the two (2) supplied #10-32 x .31 inch long pan head screws and tighten to 30 lb-in.
- 5) Connect the unit to the DC supply per the connection diagram provided with the gearmotor/motor. (**WARNING: Wiring must conform to NEC and other applicable standards.**)
- 6) Remove the protective backing and apply the cover gasket to the inside face of the cover. Fasten the terminal box cover with gasket onto the terminal box using the four (4) supplied #6-32 x .50 inch long o-ring-equipped flat head phillips screws. Tighten the cover screws to 75 oz-in.

Please contact our tech support team if you have additional questions or need assistance. E-mail: [info@bodine-electric.com](mailto:info@bodine-electric.com).

**⚠ WARNING:** Gearmotor/motor must be disconnected from electrical power source before installing terminal box.



<sup>1</sup> Two gaskets are required for 33A gearmotors/motors.

**NOTE:** T-box mounting instructions for Bodine 34R, 42R, and 48R AC gearmotors and motors are on the other side.



# Printing Specs

Print specs for Bodine's single or double page user instruction sheets. Black and white.

<b>Date</b>	January 07, 2014 - ehg
<b>Printer (Contact)</b>	TBD
<b>Job/Client (Contact)</b>	Bodine Electric Company, Peosta, Iowa. Tel: 563-583-8326

**Art supplied:** Grayscale PDF, high-res

**Printing method:** Standard Photocopy, high resolution, 600 dpi or higher.

**Paper stock:** 20# or 24# uncoated bond or current stock (best price option)

**Number of pages:** Two, Double-Sided print

**Page Size flat:** 8.5x11"

**Page Trim size:** N/A

**Binding** N/A

**Quantity:** TBD by planner

**Color/ink:** Black/black

**Bleed:** No bleed

**Live area:** Per trim marks

**Special instructions:** Do not scale or alter art in any way without client approval.

**Proof:** Provide a single printed sheet for review/approval

**Delivery:** Standard lead-time. Please confirm.

**Graphic Design Contact:**

Mr. Cliff Questel  
**Quantum Advertising and Design**  
3311 W. Cullom Ave.  
Chicago, IL 60618  
Tel: (773) 604-8683  
e-mail: [cliffq@ameritech.net](mailto:cliffq@ameritech.net)

**Bodine Marketing Contact:**

Mr. Edmund Glueck  
Bodine Electric Company  
201 Northfield Road  
Northfield, IL 60093, USA  
Tel: 773-478-3515  
e-mail: [ehg@bodine-electric.com](mailto:ehg@bodine-electric.com)