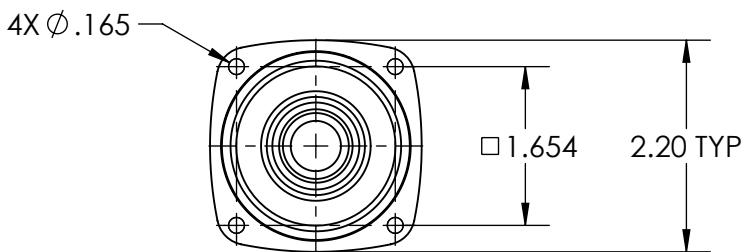
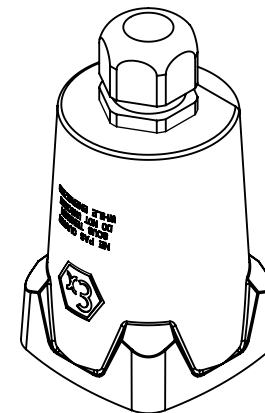
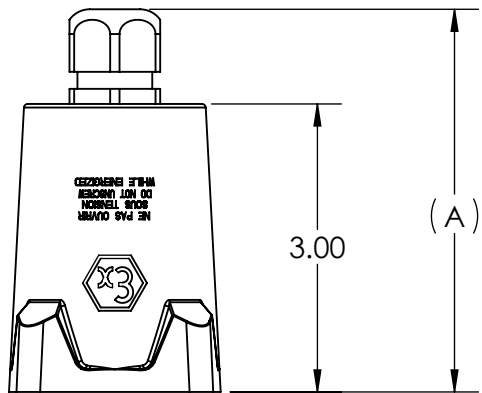


This drawing is the property of MELTRIC Corporation, Franklin (Milwaukee) Wisconsin, USA. Any unauthorized copying of this drawing by any means, ENGR/D/06 REV: 21 ISSUED DATE: 10/7/16 or disclosure of its contents to any person not authorized by MELTRIC Corporation or its agents to receive it, is strictly prohibited.



PART NUMBER	CABLE RANGE	DIM "A"
251POBPA	.24" - .47"	4.35"
251POBPB	.39" - .55"	4.35"
251POCPD	.35" - .63"	4.50"
251POCPC	.51" - .71"	4.50"

TOLERANCES UNLESS OTHERWISE SPECIFIED		MELTRIC A COMPANY OF MARÉCHAL ÉLECTRIC	
MACHINED SURFACES $\sqrt[125]{\text{MAX}}$ GROUND SURFACES $\sqrt[32]{\text{MAX}}$ ANGLE TOLERANCE $\pm 1^\circ$ REMOVE BURRS & SHARP EDGES TO .015 MAX. DIMENSIONS SHOWN IN OVALS ARE INSPECTION DIMENSIONS.	ENGLISH 0.X ± 0.05 0.XX ± 0.01 0.XXX ± 0.005	DRAWN: _____ DATE: _____	APPROVED: _____ SCALE: NTS MATERIAL: BLACK POLY PART NUMBER: 251POxPx REVISION: _____
		SHEET: 1 OF 1	DRAWING TITLE: DNX20 POLY HANDLE WITH CORD GRIP