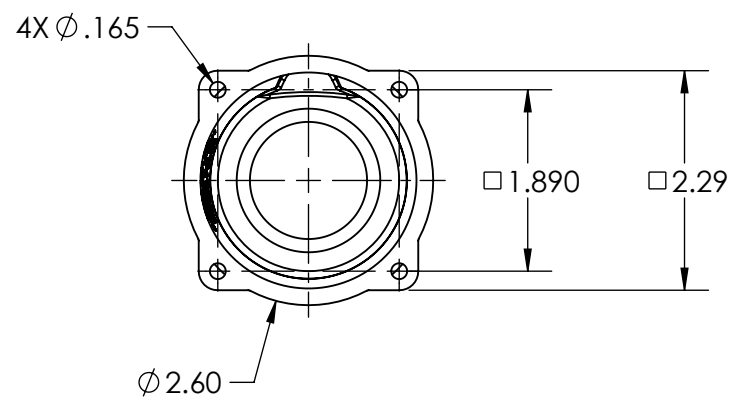
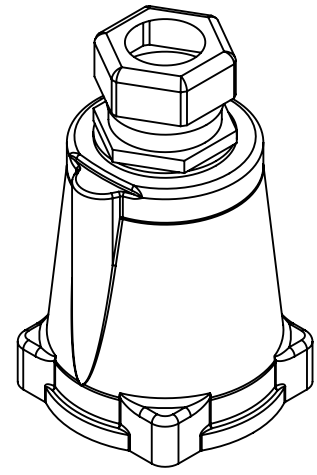
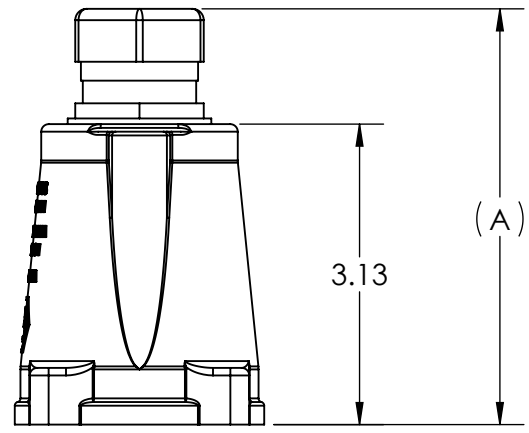


This drawing is the property of MELTRIC Corporation, Franklin (Milwaukee) Wisconsin, USA. Any unauthorized copying of this drawing by any means, ENG/RD/06 REV: 21 ISSUED DATE: 10/7/16 or disclosure of its contents to any person not authorized by MELTRIC Corporation or its agents to receive it, is strictly prohibited.

G F E D C B A



PART NUMBER	CABLE RANGE	DIM "A"
252P0CPD	.35" - .63"	4.65"
252P0CPC	.51" - .71"	4.65"
252P0DPF	.51" - .79"	5.00"
252P0DPE	.71" - .98"	5.00"

TOLERANCES UNLESS OTHERWISE SPECIFIED		 MELTRIC A COMPANY OF MARÉCHAL ÉLECTRIC		
MACHINED SURFACES $\sqrt[125]{\text{MAX}}$ GROUND SURFACES $\sqrt[32]{\text{MAX}}$ ANGLE TOLERANCE $\pm 1^\circ$ REMOVE BURRS & SHARP EDGES TO .015 MAX.	ENGLISH 0.X ± 0.05 0.XX ± 0.01 0.XXX ± 0.005			DRAWN
DIMENSIONS SHOWN IN OVALS ARE INSPECTION DIMENSIONS.		DRAWING TITLE:		
		DXN30 POLY HANDLE WITH CORD GRIP		
		DATE:	SCALE: NTS	MATERIAL: BLACK POLY
		SHEET: 1 OF 1	PART NUMBER: 252P0xPx	

1
2
3
4
5
6