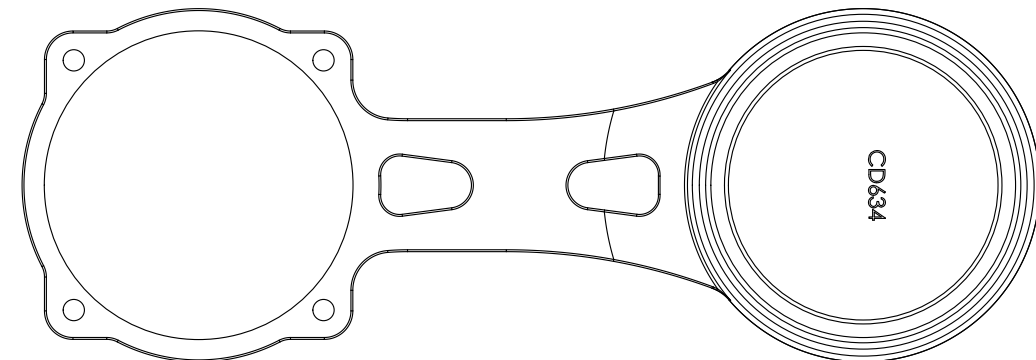
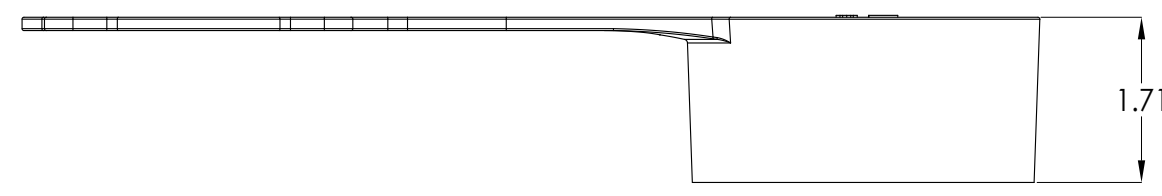
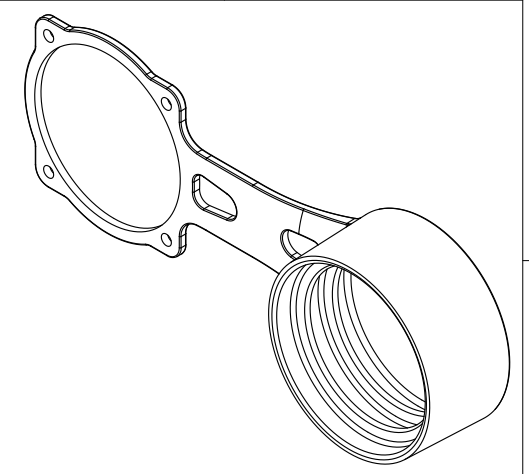
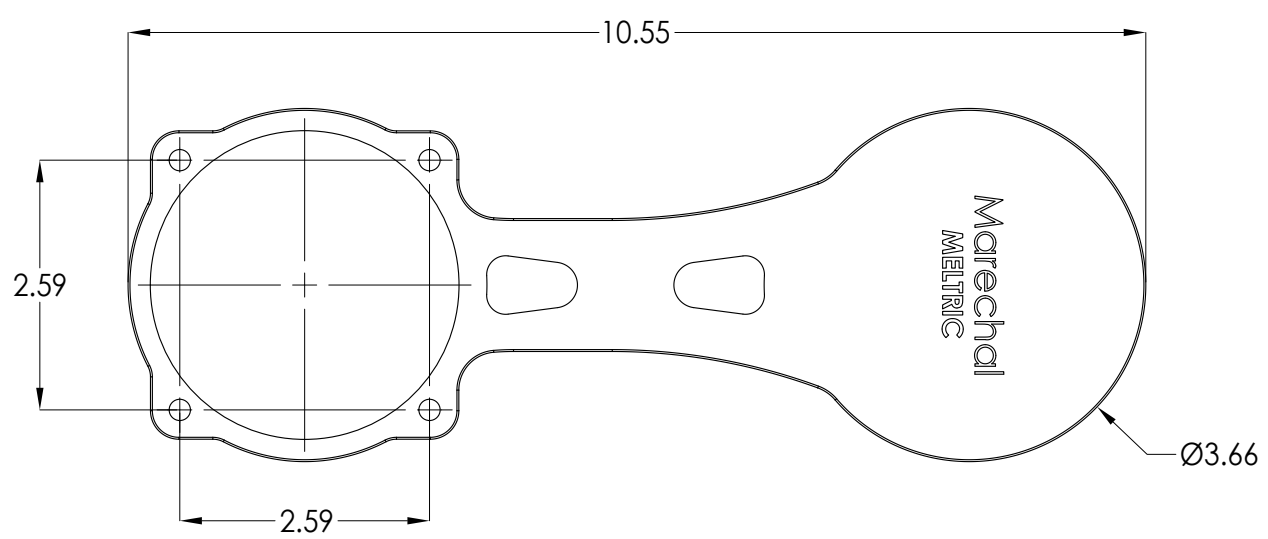


This drawing is the property of MELTRIC Corporation, Franklin (Milwaukee), Wisconsin, USA. Any unauthorized copying of this drawing by any means, or disclosure of its contents to any person not authorized by MELTRIC Corporation or its agents to receive it, is strictly prohibited.



TOLERANCES UNLESS OTHERWISE SPECIFIED		 A COMPANY OF MARECHAL ELECTRIC		DRAWING TITLE:	
MACHINED SURFACES $\sqrt[125]{\text{MAX}}$	ENGLISH 0.X ±0.05 0.XX ±0.01 0.XXX ±0.005			DATE:	SCALE:
GROUND SURFACES $\sqrt[32]{\text{MAX}}$			NTS	RUBBER	
ANGLE TOLERANCE ±1°			SHEET:	PART NUMBER	
REMOVE BURRS & SHARP EDGES TO .015 MAX.		1 OF 1	31-6A426		
DIMENSIONS SHOWN IN OVALS ARE INSPECTION DIMENSIONS.			REVISION		