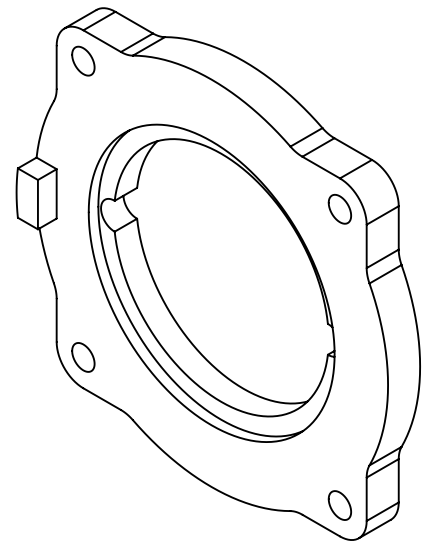
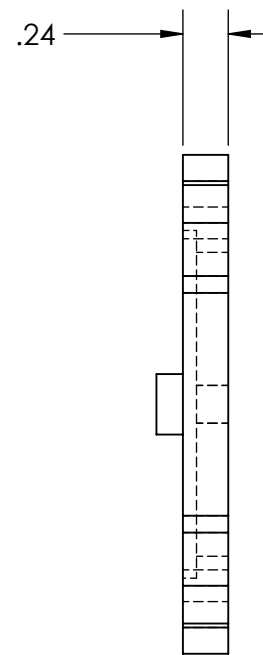
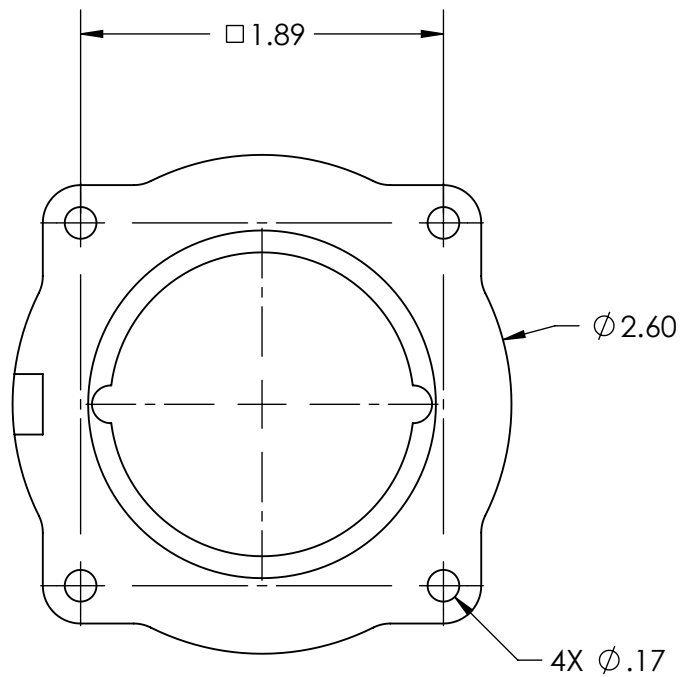


This drawing is the property of MELTRIC Corporation, Franklin (Milwaukee) Wisconsin, USA. Any unauthorized copying of this drawing by any means, or disclosure of its contents to any person not authorized by MELTRIC Corporation or its agents to receive it, is strictly prohibited. ENG/RD/06 REV: 20 ISSUED DATE: 1/15/11



TOLERANCES UNLESS OTHERWISE SPECIFIED				DRAWING TITLE:	
MACHINED SURFACES $\sqrt[125]{\text{MAX}}$	ENGLISH			CS1000 ADAPTER PLATE	
GROUND SURFACES $\sqrt[32]{\text{MAX}}$	0.X ± 0.05	DATE:	SCALE	BLACK POLY	
ANGLE TOLERANCE $\pm 1^\circ$	0.XX ± 0.01		NTS	PART NUMBER	
REMOVE BURRS & SHARP EDGES TO .015 MAX.	0.XXX ± 0.005	SHEET:	45-3A540		REVISION
DIMENSIONS SHOWN IN OVALS ARE INSPECTION DIMENSIONS.		1 OF 1			