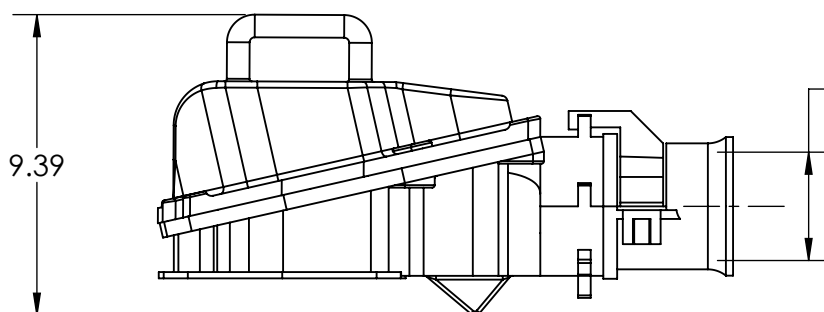
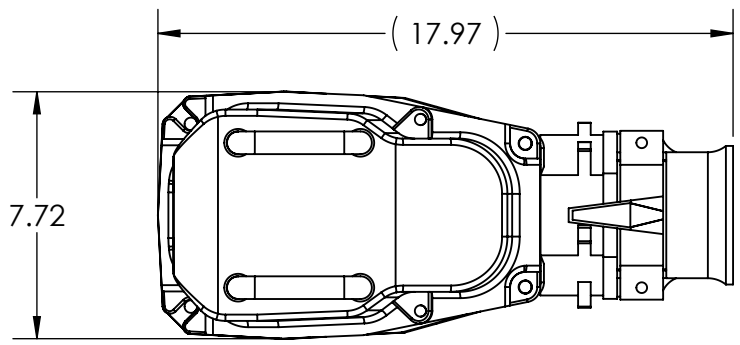
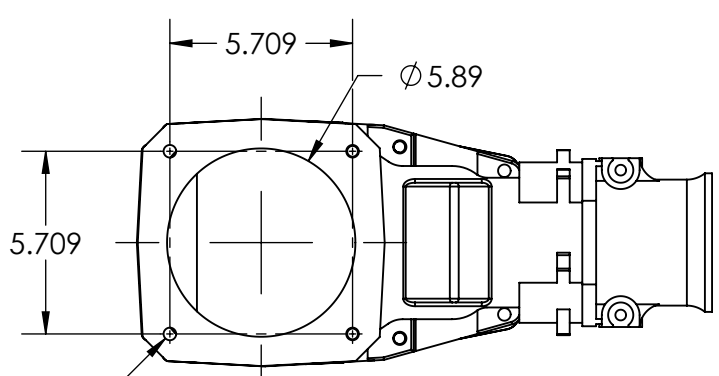
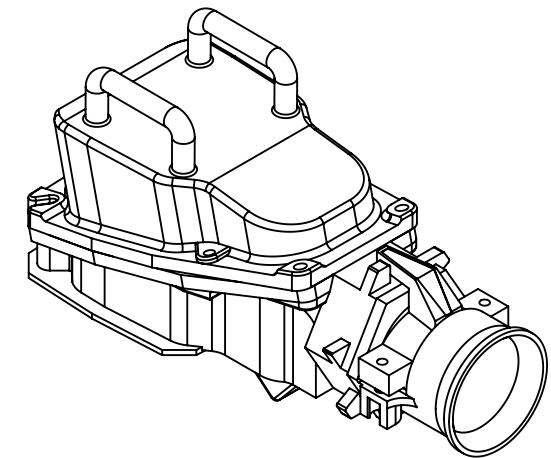


This drawing is the property of MELTRIC Corporation, Franklin (Milwaukee), Wisconsin, USA. Any unauthorized copying of this drawing by any means, ENG/RD/06 REV: 20 ISSUED DATE: 1/15/11 or disclosure of its contents to any person not authorized by MELTRIC Corporation or its agents to receive it, is strictly prohibited.



[86mm]
 Ø 3.39in
 MAXIMUM CABLE
 BUNDLE DIA.



4 PLCS
 M10X1.5

APPROX WEIGHT = 12 LBS.

PART NUMBER	CABLE RANGE
47-3A913-200	2.000" - 2.125"
47-3A913-225	2.125" - 2.250"
47-3A913-237	2.250" - 2.375"
47-3A913-250	2.375" - 2.500"
47-3A913-275	2.500" - 2.750"
47-3A913-300	2.750" - 3.000"
47-3A913-312	3.000" - 3.125"
47-3A913-335	3.125" - 3.350"
47-3A913-350	3.350" - 3.390"

TOLERANCES UNLESS OTHERWISE SPECIFIED	
MACHINED SURFACES $\sqrt{125}$ MAX	ENGLISH 0.X ±0.05 0.XX ±0.01 0.XXX ±0.005
GROUND SURFACES $\sqrt{32}$ MAX	
ANGLE TOLERANCE ±1°	
REMOVE BURRS & SHARP EDGES TO .015 MAX.	
○ DIMENSIONS SHOWN IN OVALS ARE INSPECTION DIMENSIONS.	

		DRAWING TITLE:	
		PFQ300 METAL 90° ANGLED HANDLE	
DRAWN	APPROVED	DATE:	MATERIAL:
		SCALE NTS	METAL
SHEET: 1 OF 1	PART NUMBER 47-3A913-xxx		REVISION