

This drawing is the property of MELTRIC Corporation, Franklin (Milwaukee), Wisconsin, USA. Any unauthorized copying of this drawing by any means, ENGR/D/06 REV: 20 ISSUED DATE: 1/15/11 or disclosure of its contents to any person not authorized by MELTRIC Corporation or its agents to receive it, is strictly prohibited.

G | F | E | D | C | B | A

1

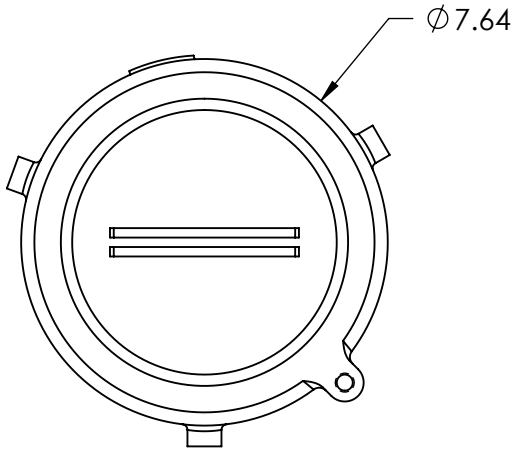
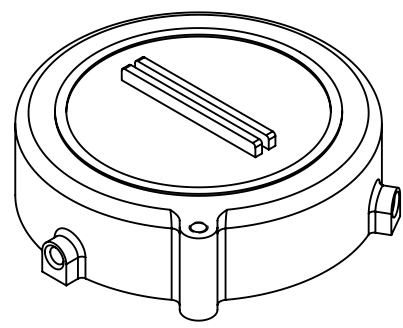
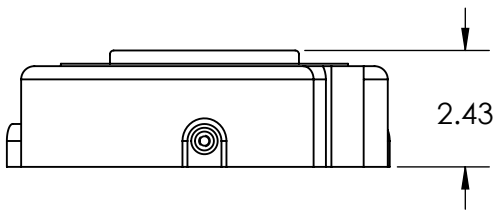
2

3

4

5

6



APPROX WEIGHT = 3 LBS.

TOLERANCES UNLESS OTHERWISE SPECIFIED				DRAWING TITLE:	
MACHINED SURFACES $\sqrt{125}$ MAX GROUND SURFACES $\sqrt{32}$ MAX ANGLE TOLERANCE $\pm 1^\circ$ REMOVE BURRS & SHARP EDGES TO .015 MAX.	<b>ENGLISH</b> 0.X $\pm 0.05$ 0.XX $\pm 0.01$ 0.XXX $\pm 0.005$			PFQ300 RECEPTACLE REPLACEMENT CAP	
DIMENSIONS SHOWN IN OVALS ARE INSPECTION DIMENSIONS.		DRAWN: _____ DATE: _____	APPROVED: _____ SCALE: NTS	MATERIAL: METAL	PART NUMBER: 47-3A925
		SHEET: 1 OF 1			REVISION: _____