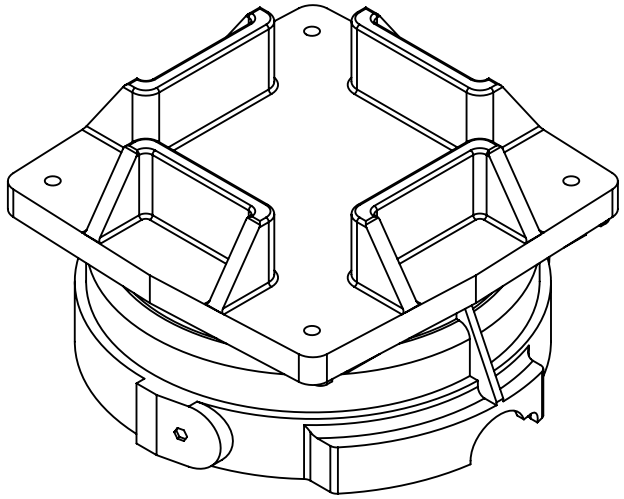
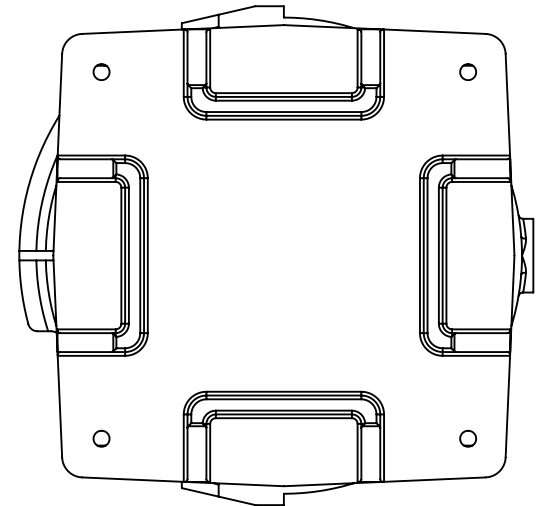
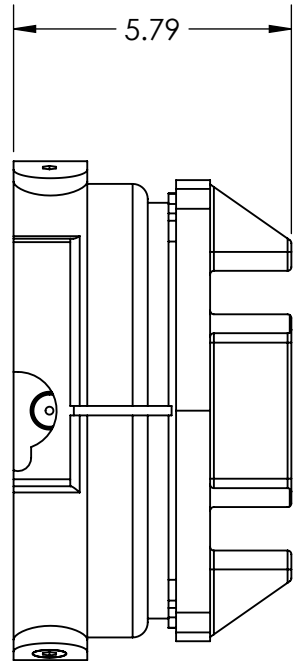
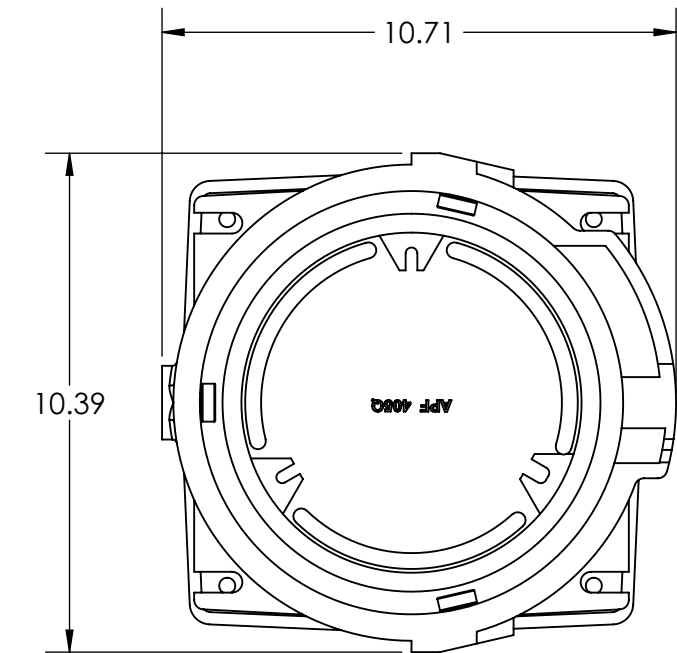


This drawing is the property of MELTRIC Corporation, Franklin (Milwaukee), Wisconsin, USA. Any unauthorized copying of this drawing by any means, ENG/RD/06 REV: 20 ISSUED DATE: 1/15/11 or disclosure of its contents to any person not authorized by MELTRIC Corporation or its agents to receive it, is strictly prohibited.

G F E D C B A



APPROX WEIGHT = 12 LBS.

TOLERANCES UNLESS OTHERWISE SPECIFIED				DRAWING TITLE:	
MACHINED SURFACES $\sqrt{125}$ MAX	ENGLISH 0.X ±0.05 0.XX ±0.01 0.XXX ±0.005			PF400 RECEPTACLE REPLACEMENT METAL CAP	
GROUND SURFACES $\sqrt{32}$ MAX		DATE:	SCALE	MATERIAL:	
ANGLE TOLERANCE ±1° REMOVE BURRS & SHARP EDGES TO .015 MAX.		SHEET:	NTS	PAINTED METAL	
DIMENSIONS SHOWN IN OVALS ARE INSPECTION DIMENSIONS.	1 OF 1	PART NUMBER			
		49-4A925			