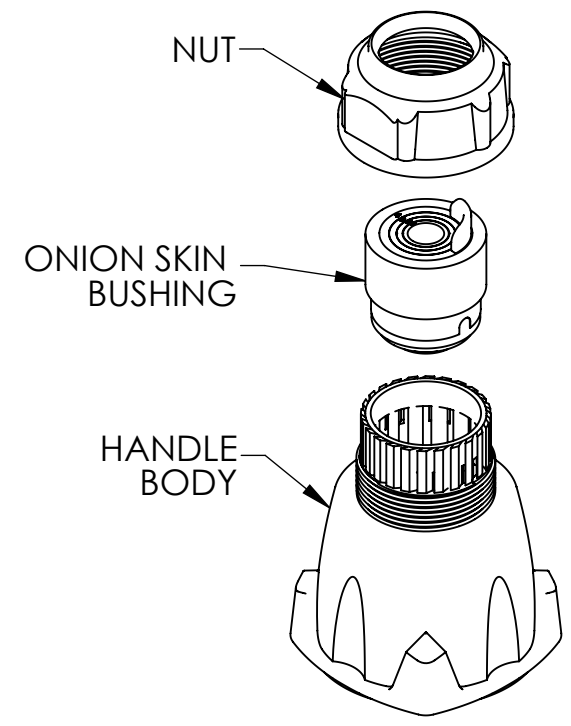
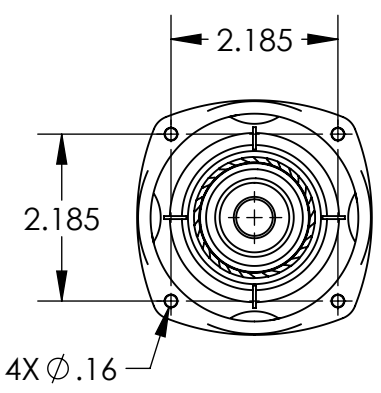
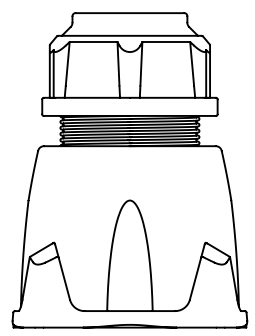
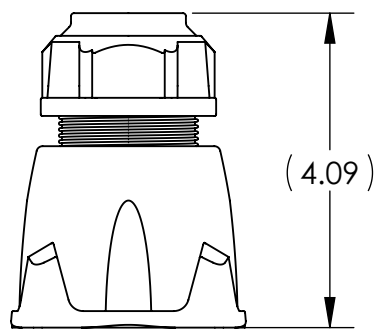
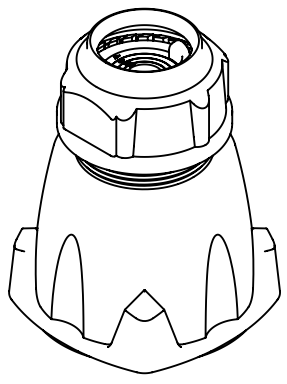
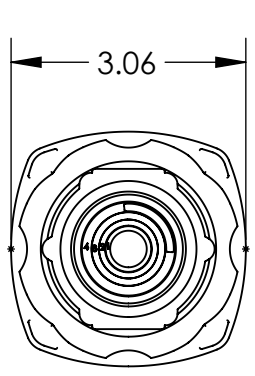


This drawing is the property of MELTRIC Corporation, Franklin (Milwaukee) Wisconsin, USA. Any unauthorized copying of this drawing by any means, ENG/RD/06 REV: 21 ISSUED DATE: 10/7/16 or disclosure of its contents to any person not authorized by MELTRIC Corporation or its agents to receive it, is strictly prohibited.

G F E D C B A



TOLERANCES UNLESS OTHERWISE SPECIFIED		 <b>MELTRIC</b> A company of MARECHAL ELECTRIC GROUP		DRAWING TITLE:	
MACHINED SURFACES $\sqrt[125]{\text{MAX}}$	<b>ENGLISH</b> $0.X \pm 0.05$ $0.XX \pm 0.01$ $0.XXX \pm 0.005$			DRAWN	APPROVED
GROUND SURFACES $\sqrt[32]{\text{MAX}}$		DATE:	SCALE	NTS	MATERIAL:
ANGLE TOLERANCE $\pm 1^\circ$				NYLON	
REMOVE BURRS & SHARP EDGES TO .015 MAX.				PART NUMBER	
DIMENSIONS SHOWN IN OVALS ARE INSPECTION DIMENSIONS.		SHEET:	1 OF 1		REVISION
			513POD30		

1  
2  
3  
4  
5  
6