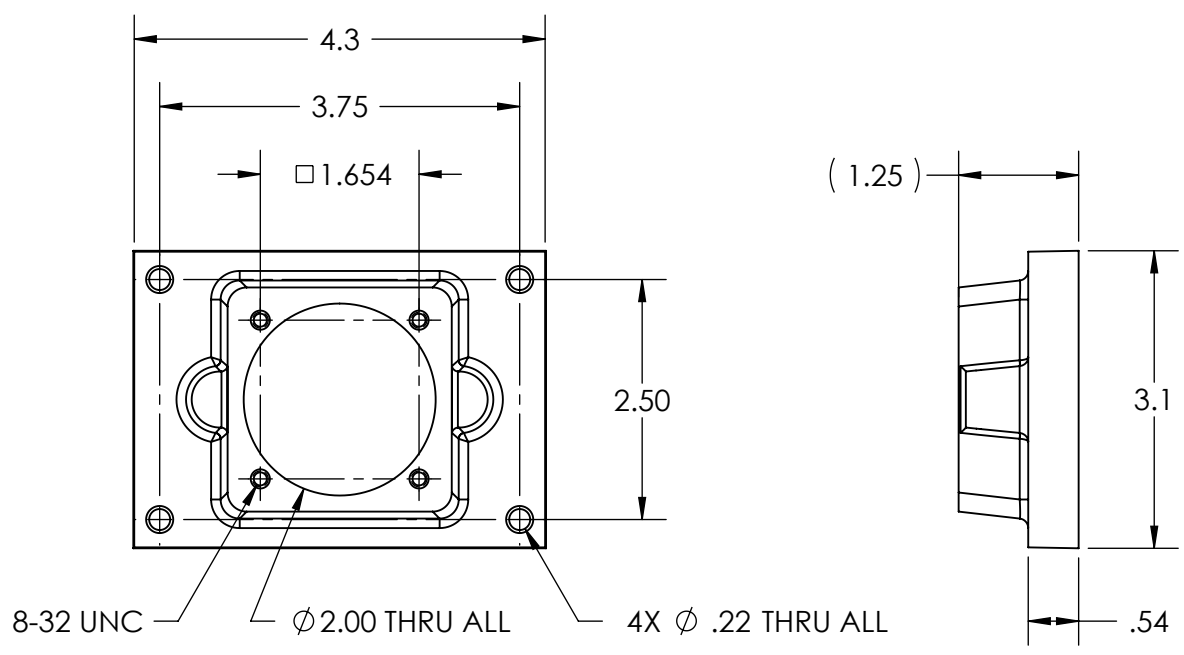
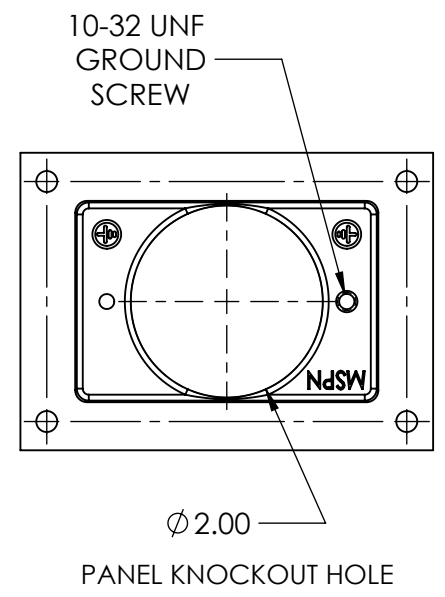
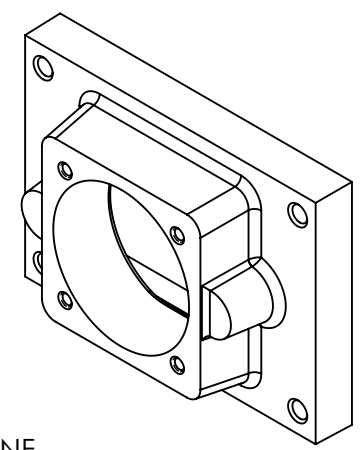


This drawing is the property of MELTRIC Corporation, Franklin (Milwaukee) Wisconsin, USA. Any unauthorized copying of this drawing by any means, ENGR/RD/06 REV: 20 ISSUED DATE: 1/15/11 or disclosure of its contents to any person not authorized by MELTRIC Corporation or its agents to receive it, is strictly prohibited.



8-32 UNC $\phi 2.00$ THRU ALL 4X $\phi .22$ THRU ALL



10-32 UNF
GROUND
SCREW

$\phi 2.00$
PANEL KNOCKOUT HOLE

TOLERANCES UNLESS OTHERWISE SPECIFIED		 A COMPANY OF MARECHAL ELECTRIC		DRAWING TITLE:	
MACHINED SURFACES $\sqrt[125]{\text{MAX}}$ GROUND SURFACES $\sqrt[32]{\text{MAX}}$ ANGLE TOLERANCE $\pm 1^\circ$ REMOVE BURRS & SHARP EDGES TO .015 MAX. DIMENSIONS SHOWN IN OVALS ARE INSPECTION DIMENSIONS.	ENGLISH 0.X ± 0.05 0.XX ± 0.01 0.XXX ± 0.005			DRAWN: APPROVED:	PNHT STRAIGHT METAL ANGLE
		DATE:	SCALE: NTS	MATERIAL: BARE METAL	
		SHEET: 1 OF 1	PART NUMBER: 571M0		REVISION: