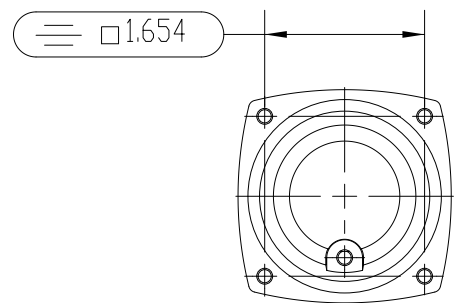
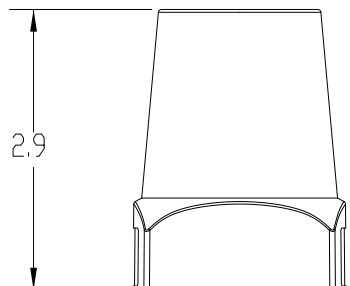
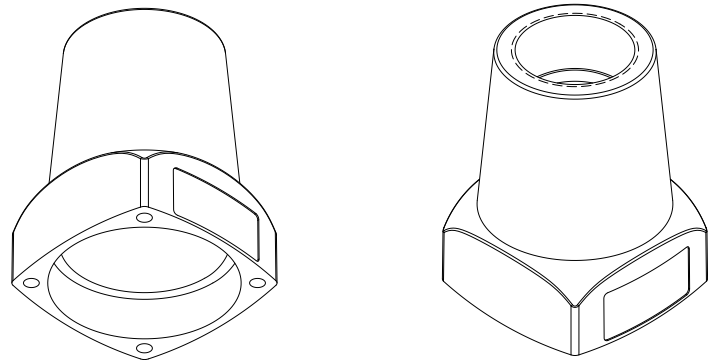
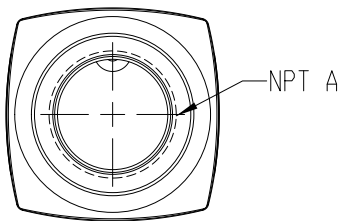


This drawing is the property of MELTRIC Corporation, Franklin (Milwaukee), Wisconsin, USA. Any unauthorized copying of this drawing by any means, or disclosure of its contents to any person not authorized by MELTRIC Corporation or its agents to receive it, is strictly prohibited.



PART NUMBER	NPT A
591P0N05	1/2" NPT
591P0N07	3/4" NPT
591P0N10	1" NPT

TOLERANCES UNLESS OTHERWISE SPECIFIED		MELTRIC A COMPANY OF MARECHAL ELECTRIC	
MACHINED SURFACES $\sqrt{125} \text{ MAX}$ GROUND SURFACES $\sqrt{32} \text{ MAX}$ ANGLE TOLERANCE $\pm 1^\circ$ REMOVE BURRS & SHARP EDGES TO .015 MAX.	ENGLISH 0.X ± 0.05 0.XX ± 0.01 0.XXX ± 0.005	DRAWN	APPROVED
DIMENSIONS SHOWN IN OVALS ARE INSPECTION DIMENSIONS.		DRAWING TITLE: PN20 METAL HANDLE WITH NPT	
		DATE:	SCALE: NTS
		SHEET: 1 OF 1	MATERIAL: METAL
		PART NUMBER 591P0Nxx	
		REVISION	