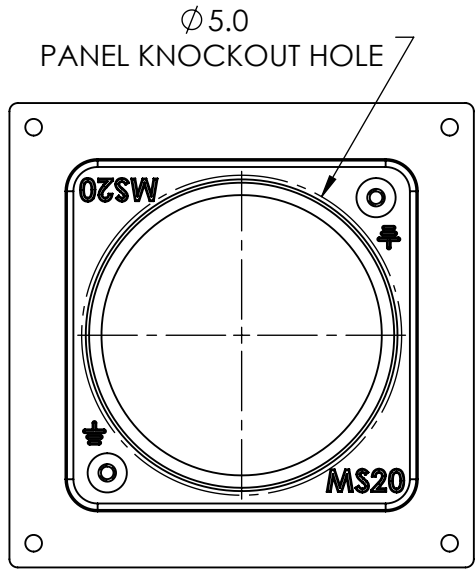
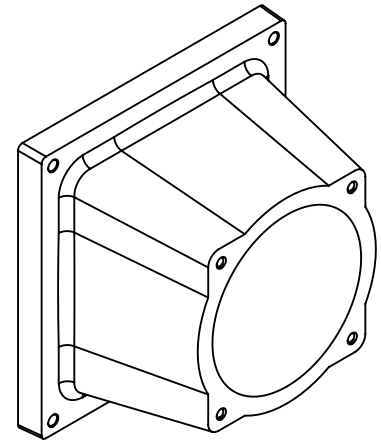
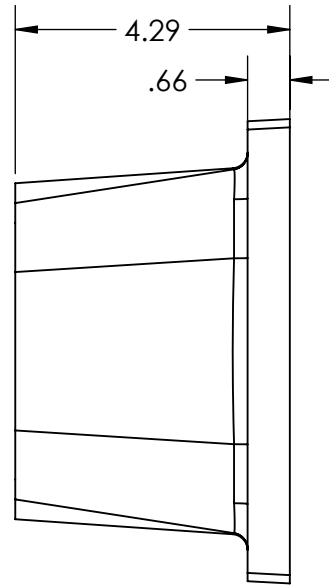
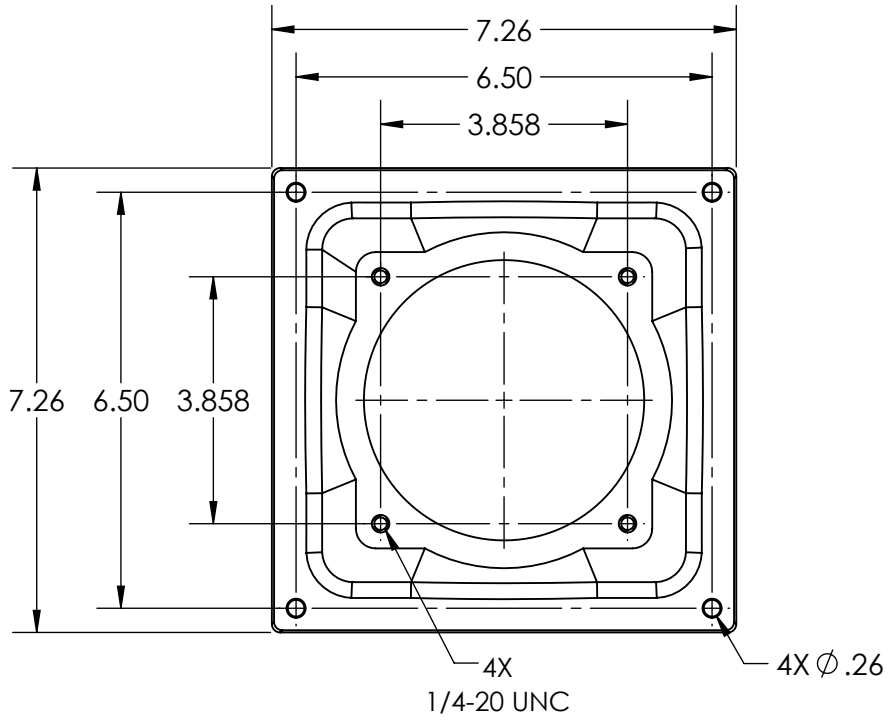
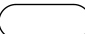



This drawing is the property of MELTRIC Corporation, Franklin (Milwaukee) Wisconsin, USA. Any unauthorized copying of this drawing by any means, ENG/RD/06 REV: 21 ISSUED DATE: 10/7/16 or disclosure of its contents to any person not authorized by MELTRIC Corporation or its agents to receive it, is strictly prohibited.



TOLERANCES UNLESS OTHERWISE SPECIFIED	
MACHINED SURFACES $\sqrt[125]{\text{MAX}}$	<b>ENGLISH</b>  <b>0.X <math>\pm 0.05</math></b> <b>0.XX <math>\pm 0.01</math></b> <b>0.XXX <math>\pm 0.005</math></b>
GROUND SURFACES $\sqrt[32]{\text{MAX}}$	
ANGLE TOLERANCE $\pm 1^\circ$	
REMOVE BURRS & SHARP EDGES TO .015 MAX.	
 DIMENSIONS SHOWN IN OVALS ARE INSPECTION DIMENSIONS.	

		DRAWING TITLE:	
A COMPANY OF MARÉCHAL ELECTRIC		STRAIGHT METAL ADAPTER	
DRAWN	APPROVED	SCALE	MATERIAL:
DATE:		NTS	PAINTED METAL
SHEET:	PART NUMBER		REVISION
1 OF 1	5T7M0		