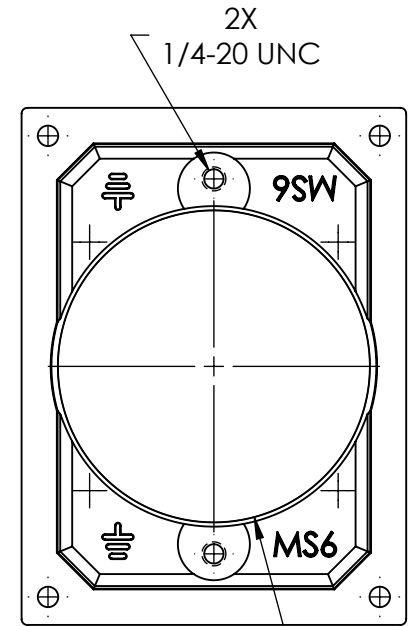
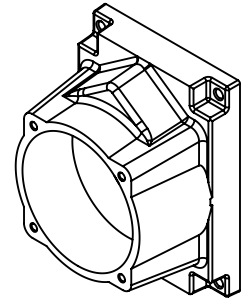
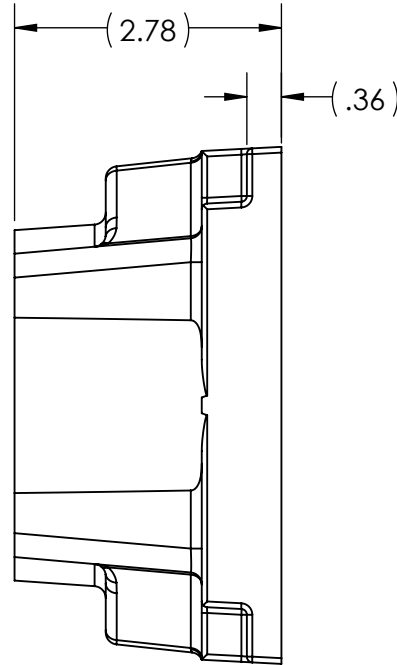
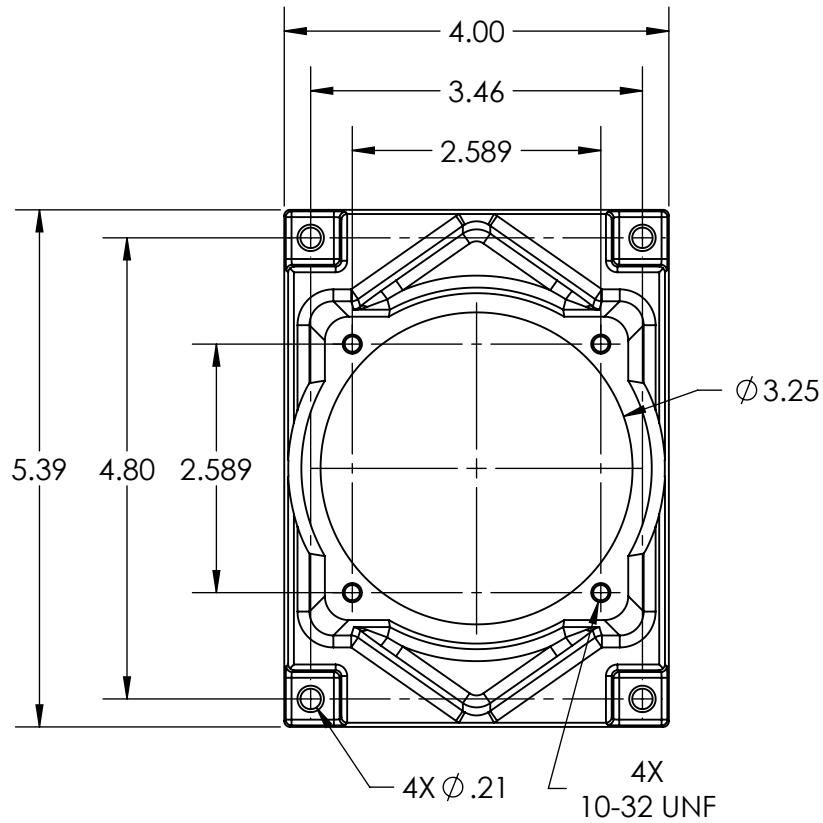




This drawing is the property of MELTRIC Corporation, Franklin (Milwaukee), Wisconsin, USA. Any unauthorized copying of this drawing by any means, ENGR/D06 REV: 20 ISSUED DATE: 1/15/11 or disclosure of its contents to any person not authorized by MELTRIC Corporation or its agents to receive it, is strictly prohibited.



Ø 3.25  
PANEL KNOCKOUT HOLE

|  |              |   |                    |
|--|--------------|---|--------------------|
| TOLERANCES UNLESS OTHERWISE SPECIFIED  |              | <br>A COMPANY OF MARÉCHAL ÉLECTRIC |                    |
| MACHINED SURFACES $\sqrt[125]{\text{MAX}}$   | ENGLISH      |   |                    |
| GROUND SURFACES $\sqrt[32]{\text{MAX}}$  | 0.X ±0.05    | DRAWING TITLE:  |                    |
| ANGLE TOLERANCE ±1°  | 0.XX ±0.01   | BLACK METAL STRAIGHT ADAPTER  |                    |
| REMOVE BURRS & SHARP EDGES TO .015 MAX.  | 0.XXX ±0.005 | DATE:   | SCALE: NTS         |
|  DIMENSIONS SHOWN IN OVALS ARE INSPECTION DIMENSIONS. |              | MATERIAL: BLACK PAINTED METAL   |                    |
|  |              | SHEET: 1 OF 1   | PART NUMBER: 5K4M0 |
|  |              |   | REVISION           |