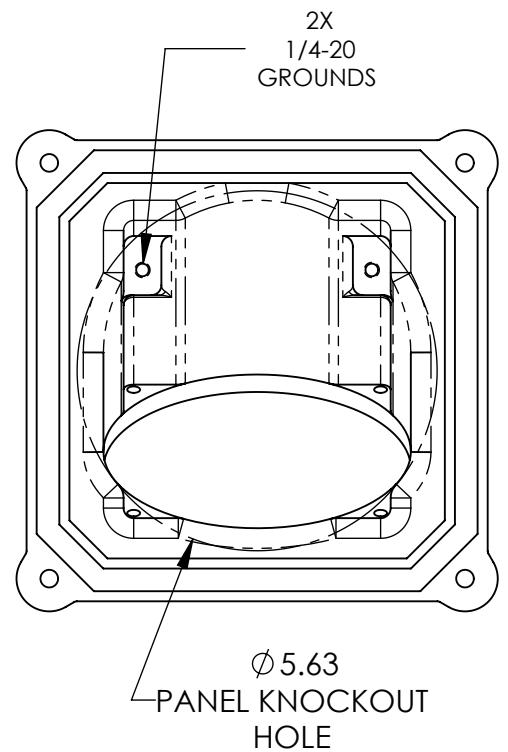
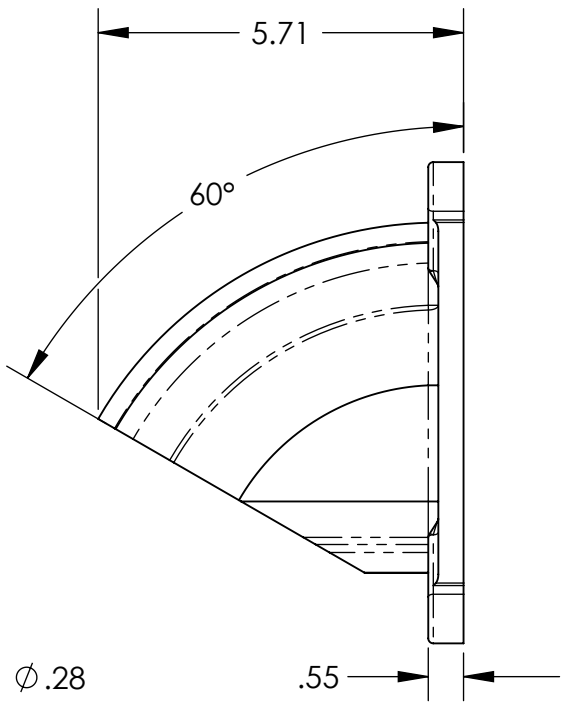
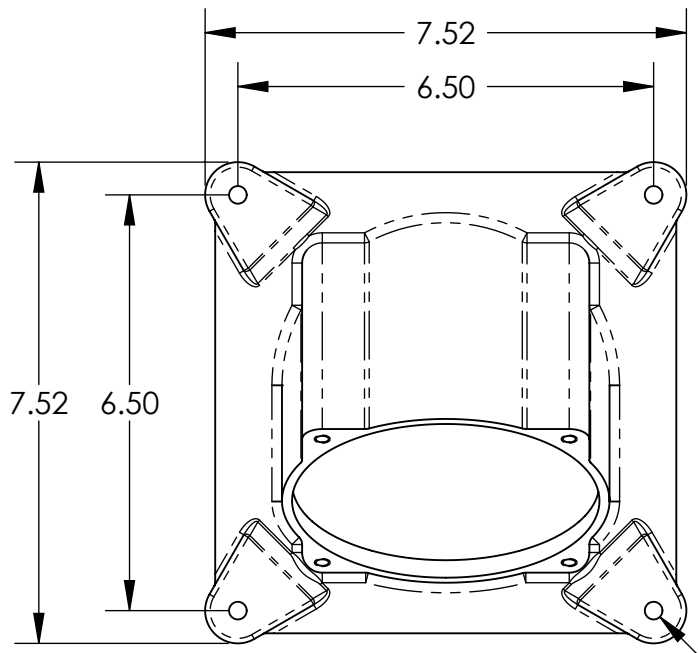
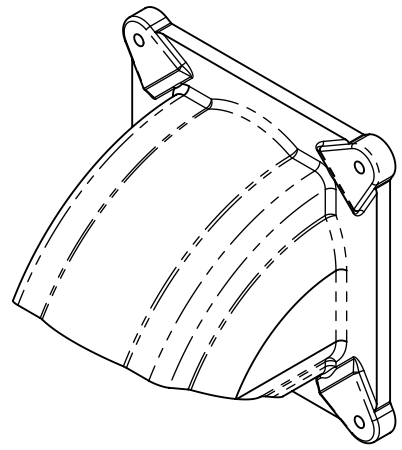
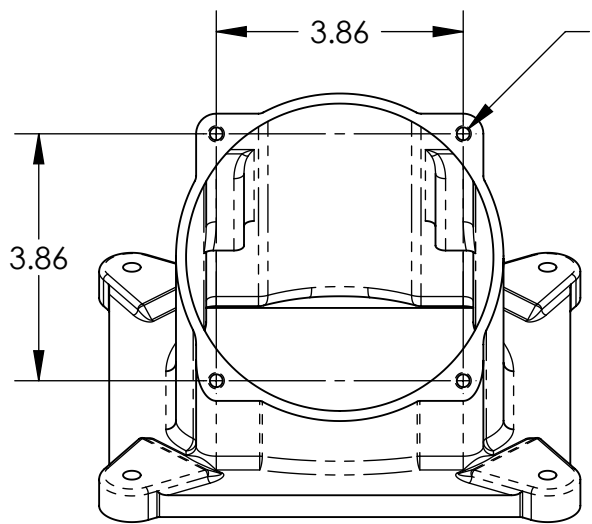


This drawing is the property of MELTRIC Corporation, Franklin (Milwaukee), Wisconsin, USA. Any unauthorized copying of this drawing by any means, ENG/RD/06 REV: 20 ISSUED DATE: 1/15/11 or disclosure of its contents to any person not authorized by MELTRIC Corporation or its agents to receive it, is strictly prohibited.



4X ϕ .28
4X 1/4-20 UNC



TOLERANCES UNLESS OTHERWISE SPECIFIED		 A COMPANY OF MARÉCHAL ÉLECTRIC		
MACHINED SURFACES $\sqrt[125]{\text{MAX}}$	ENGLISH			DRAWN
GROUND SURFACES $\sqrt[32]{\text{MAX}}$	0.X ± 0.05	DATE:	SCALE	DRAWING TITLE:
ANGLE TOLERANCE $\pm 1^\circ$	0.XX ± 0.01	SHEET:	NTS	SIZE 6 BLACK METAL 60° ANGLE ADAPTER
REMOVE BURRS & SHARP EDGES TO .015 MAX.	0.XXX ± 0.005	1 OF 1	MATERIAL:	BLACK PAINTED METAL
DIMENSIONS SHOWN IN OVALS ARE INSPECTION DIMENSIONS.			PART NUMBER	REVISION
			5K6M6	