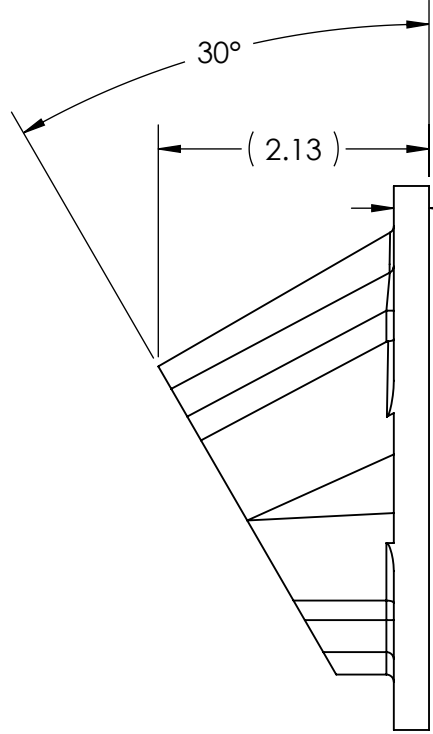
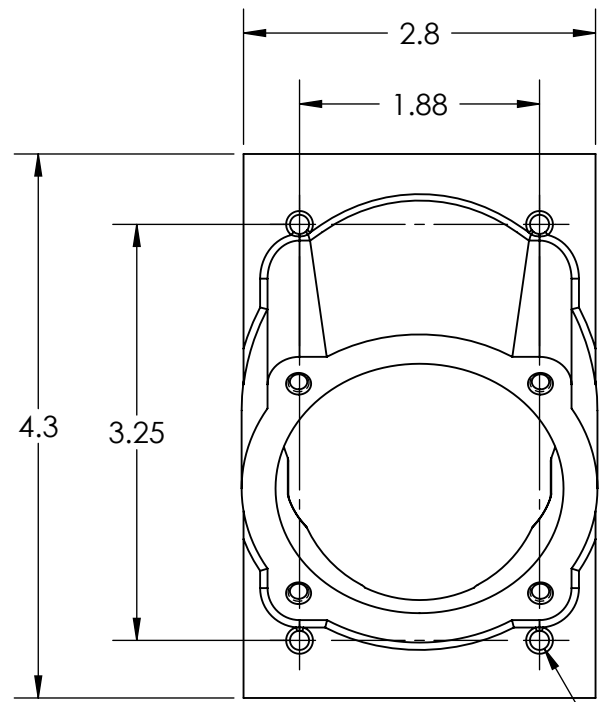
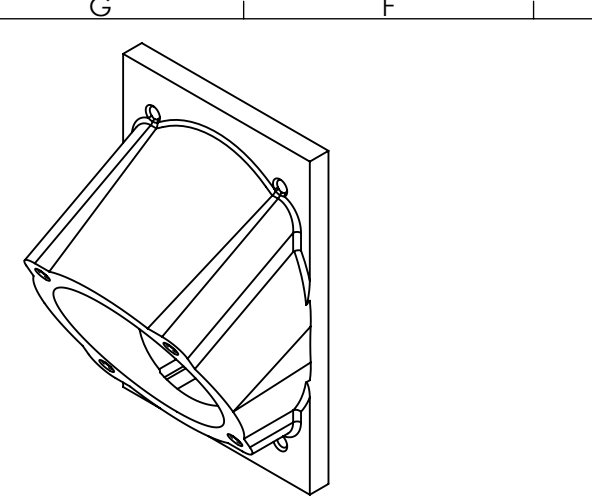
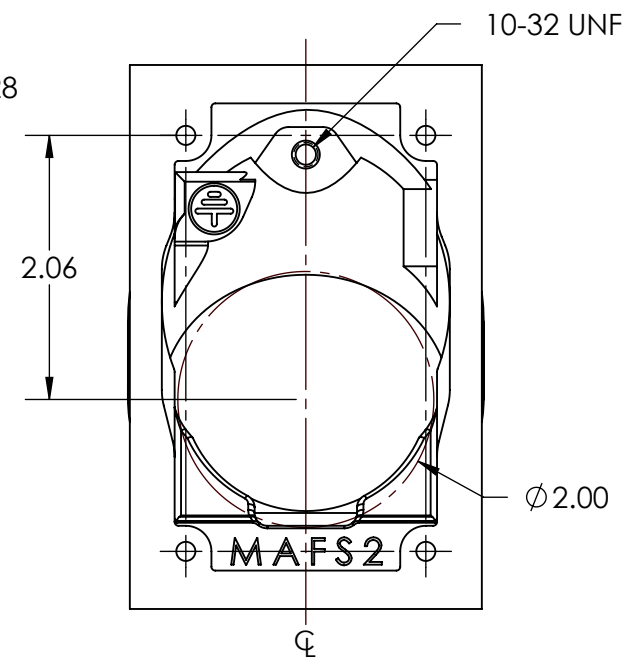
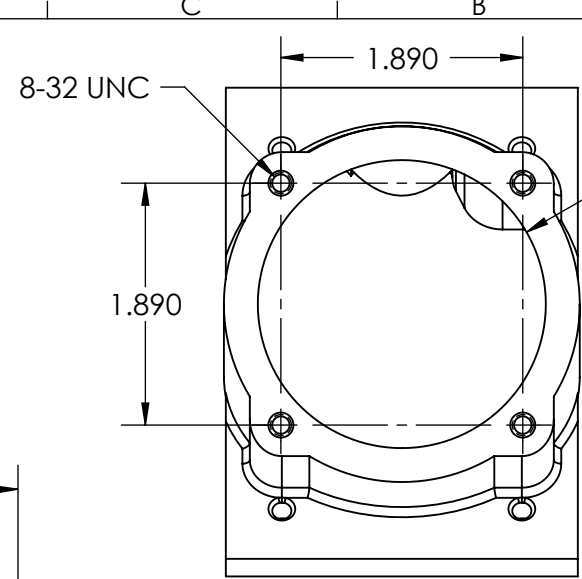


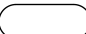
This drawing is the property of MELTRIC Corporation, Franklin (Milwaukee) Wisconsin, USA. Any unauthorized copying of this drawing by any means, ENG/RD/06 REV: 20 ISSUED DATE: 1/15/11 or disclosure of its contents to any person not authorized by MELTRIC Corporation or its agents to receive it, is strictly prohibited.




4X Ø .15 THRU ALL



PANEL KNOCKOUT HOLE

| | |
|--|--|
| TOLERANCES UNLESS OTHERWISE SPECIFIED | |
| MACHINED SURFACES $\sqrt[125]{\text{MAX}}$ | ENGLISH 0.X ±0.05 0.XX ±0.01 0.XXX ±0.005 |
| GROUND SURFACES $\sqrt[32]{\text{MAX}}$ | |
| ANGLE TOLERANCE ±1° | |
| REMOVE BURRS & SHARP EDGES TO .015 MAX. | |
|  DIMENSIONS SHOWN IN OVALS ARE INSPECTION DIMENSIONS. | |

| | | | |
|---|----------------|--------------------------------|----------|
|  | | DRAWING TITLE: | |
| DRAWN | APPROVED | 30° METAL ANGLE ADAPTER | |
| DATE: | SCALE | MATERIAL: | |
| | NTS | PAINTED METAL | |
| SHEET: | PART NUMBER | | REVISION |
| 1 OF 1 | 792M3FS | | |