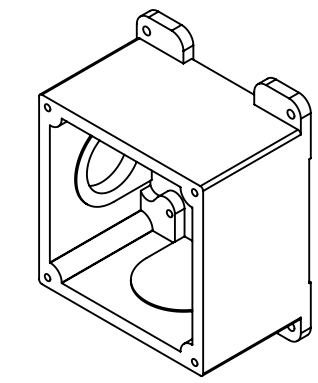
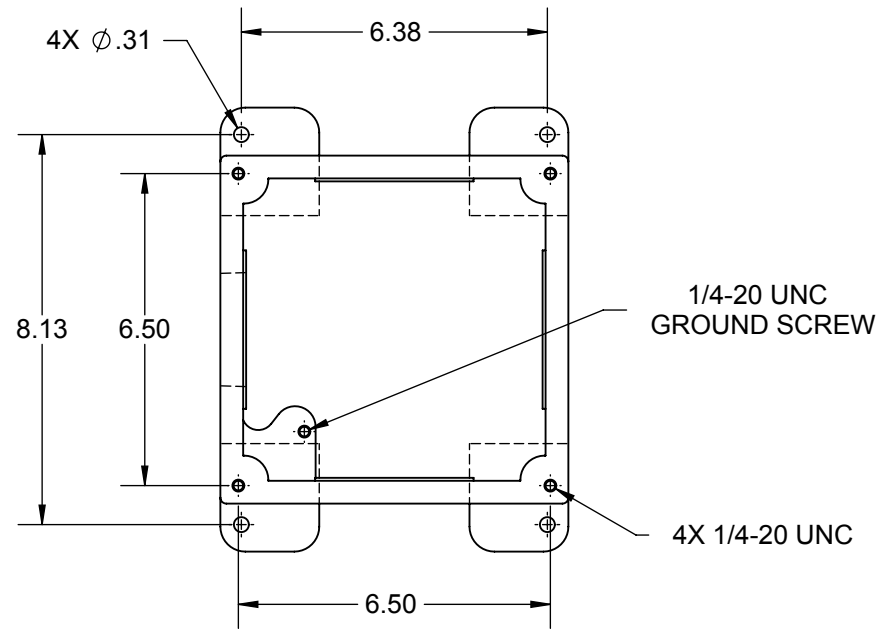
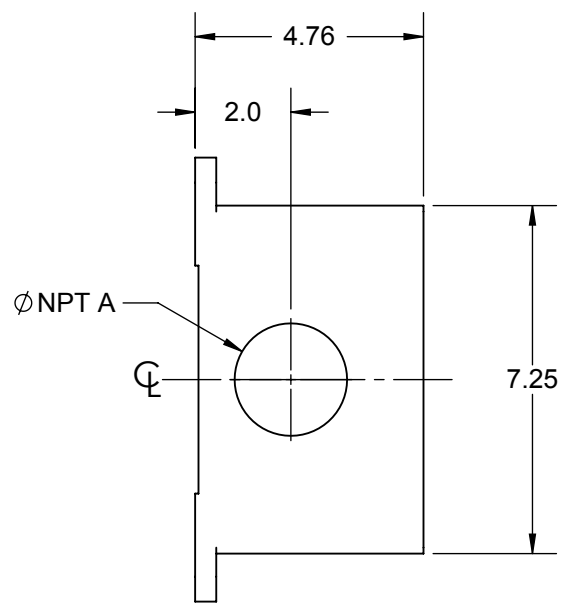
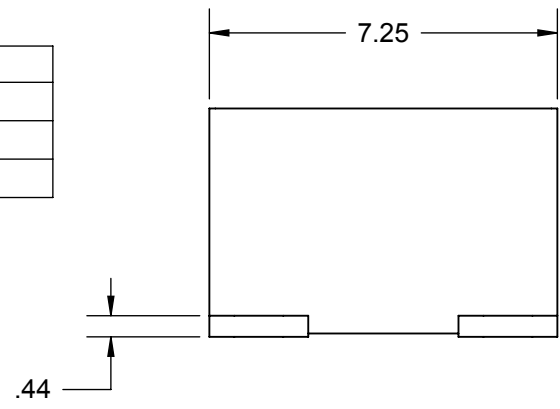


This drawing is the property of MELTRIC Corporation, Franklin (Milwaukee) Wisconsin, USA. Any unauthorized copying of this drawing by any means, ENG/RD/06 REV: 20 ISSUED DATE: 11/15/11 or disclosure of its contents to any person not authorized by MELTRIC Corporation or its agents to receive it, is strictly prohibited.



PART NUMBER	NPT SIZE "A"
7T6F0N15	1-1/2" NPT
7T6F0N20	2" NPT
7T6F0N25	2-1/2" NPT



TOLERANCES UNLESS OTHERWISE SPECIFIED

MACHINED SURFACES #error: broken link
GROUND SURFACES #error: broken link
ANGLE TOLERANCE ±1°
REMOVE BURRS & SHARP EDGES TO .015 MAX.

ENGLISH

0.X ±0.05
0.XX ±0.01
0.XXX ±0.005

DIMENSIONS SHOWN IN OVALS ARE INSPECTION DIMENSIONS.

MELTRIC
A COMPANY OF MARÉCHAL ÉLECTRIC

DRAWN: APPROVED: DRAWING TITLE: METAL JUNCTION BOX

DATE: SCALE: NTS MATERIAL: PAINTED METAL

SHEET: 1 OF 1 PART NUMBER: 7T6F0Nxx REVISION: