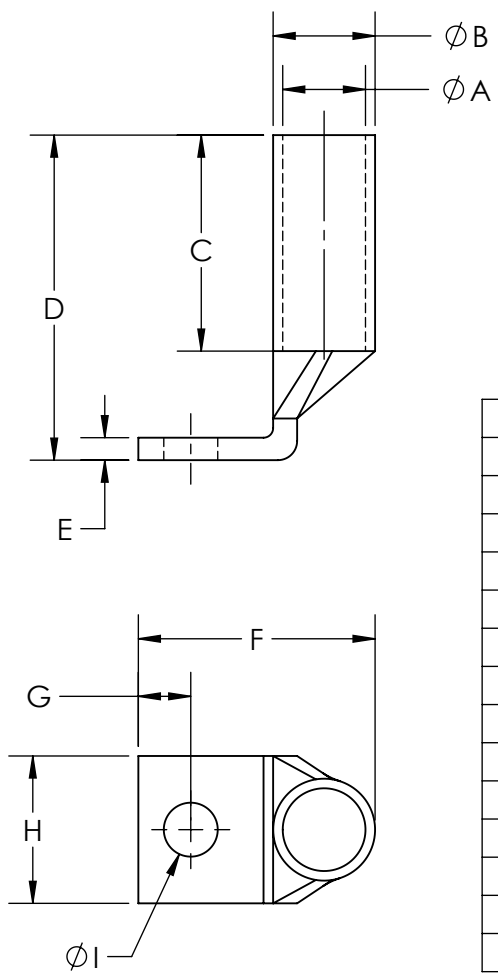
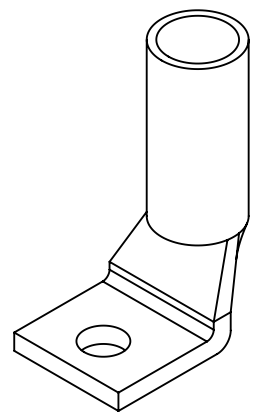


This drawing is the property of MELTRIC Corporation, Franklin (Milwaukee) Wisconsin, USA. Any unauthorized copying of this drawing by any means, ENG/RD/06 REV: 21 ISSUED DATE: 10/7/16 or disclosure of its contents to any person not authorized by MELTRIC Corporation or its agents to receive it, is strictly prohibited.



## FOR USE WITH STRAIGHT HANDLE ACCESSORY

PART NUMBER	WIRE SIZE	Ø A	Ø B	C	D	E	F	G	H	Ø I
PFLUG4-90	4 AWG	.250	.343	1.125	1.570	.093	1.723	.546	.750	.562
PFLUG3-90	3 AWG	.275	.375	1.125	1.600	.100	1.742	.546	.750	.562
PFLUG2-90	2 AWG	.312	.421	1.125	1.620	.109	1.794	.546	.750	.562
PFLUG1-90	1 AWG	.359	.468	1.375	1.920	.109	1.827	.546	.750	.562
PFLUG10-90	1/0 AWG	.390	.562	1.500	2.128	.125	1.916	.546	.811	.562
PFLUG20-90	2/0 AWG	.437	.562	1.500	2.128	.125	1.916	.546	.811	.562
PFLUG30-90	3/0 AWG	.484	.609	1.500	2.126	.125	1.951	.546	.885	.562
PFLUG40-90	4/0 AWG	.546	.687	1.500	2.233	.141	2.038	.546	.999	.562
PFLUG250-90	250 kcmil	.593	.750	1.688	2.497	.157	2.136	.546	1.088	.562
PFLUG300-90	300 kcmil	.660	.812	2.000	2.914	.152	2.239	.546	1.189	.562
PFLUG350-90	350 kcmil	.703	.890	2.000	2.994	.187	2.305	.546	1.291	.562
PFLUG400-90	400 kcmil	.750	.937	2.125	3.133	.187	2.363	.546	1.365	.562
PFLUG500-90	500 kcmil	.828	1.062	2.250	3.386	.234	2.466	.546	1.535	.562
PFLUG600-90	600 kcmil	.920	1.187	2.687	4.126	.267	2.596	.546	1.712	.562



TOLERANCES UNLESS OTHERWISE SPECIFIED		<b>MELTRIC</b> A COMPANY OF MARÉCHAL ÉLECTRIC	
MACHINED SURFACES $\sqrt[125]{\text{MAX}}$ GROUND SURFACES $\sqrt[32]{\text{MAX}}$ ANGLE TOLERANCE $\pm 1^\circ$ REMOVE BURRS & SHARP EDGES TO .015 MAX. DIMENSIONS SHOWN IN OVALS ARE INSPECTION DIMENSIONS.	<b>ENGLISH</b>  0.X $\pm 0.05$ 0.XX $\pm 0.01$ 0.XXX $\pm 0.005$	DRAWN: WF APPROVED: [ ] DATE: 11/27/2019	DRAWING TITLE: <b>PF/PFQ 300-600 AMP 90° BENT/ANGLED LUG</b> MATERIAL: COPPER - ELECTRO TIN PLATED PART NUMBER: PFLUGxxx-90 REVISION: [ ]
		SHEET: 1 OF 1	