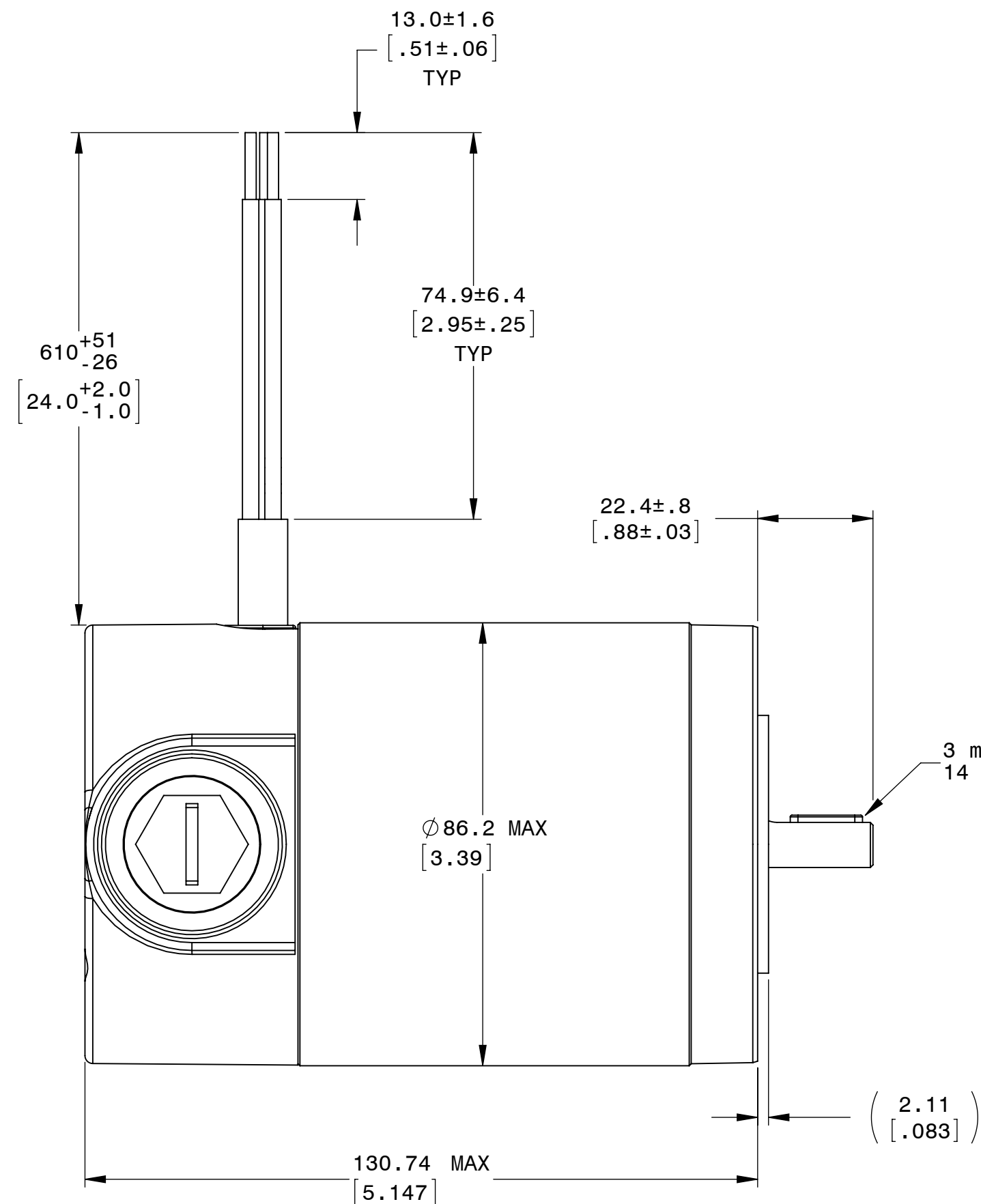
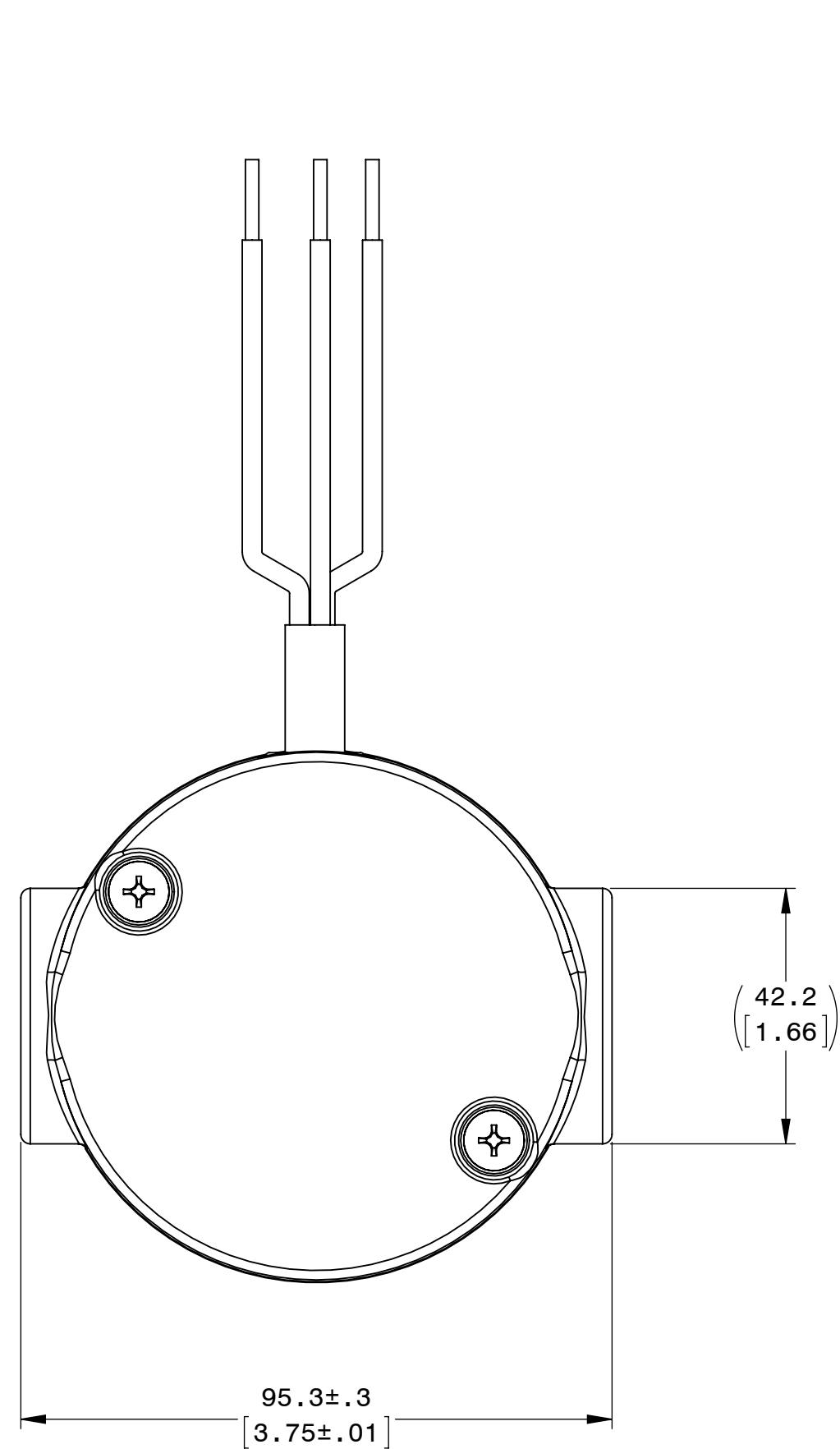


DESCRIPTION:  
MOTOR 33A3BEPM METRIC

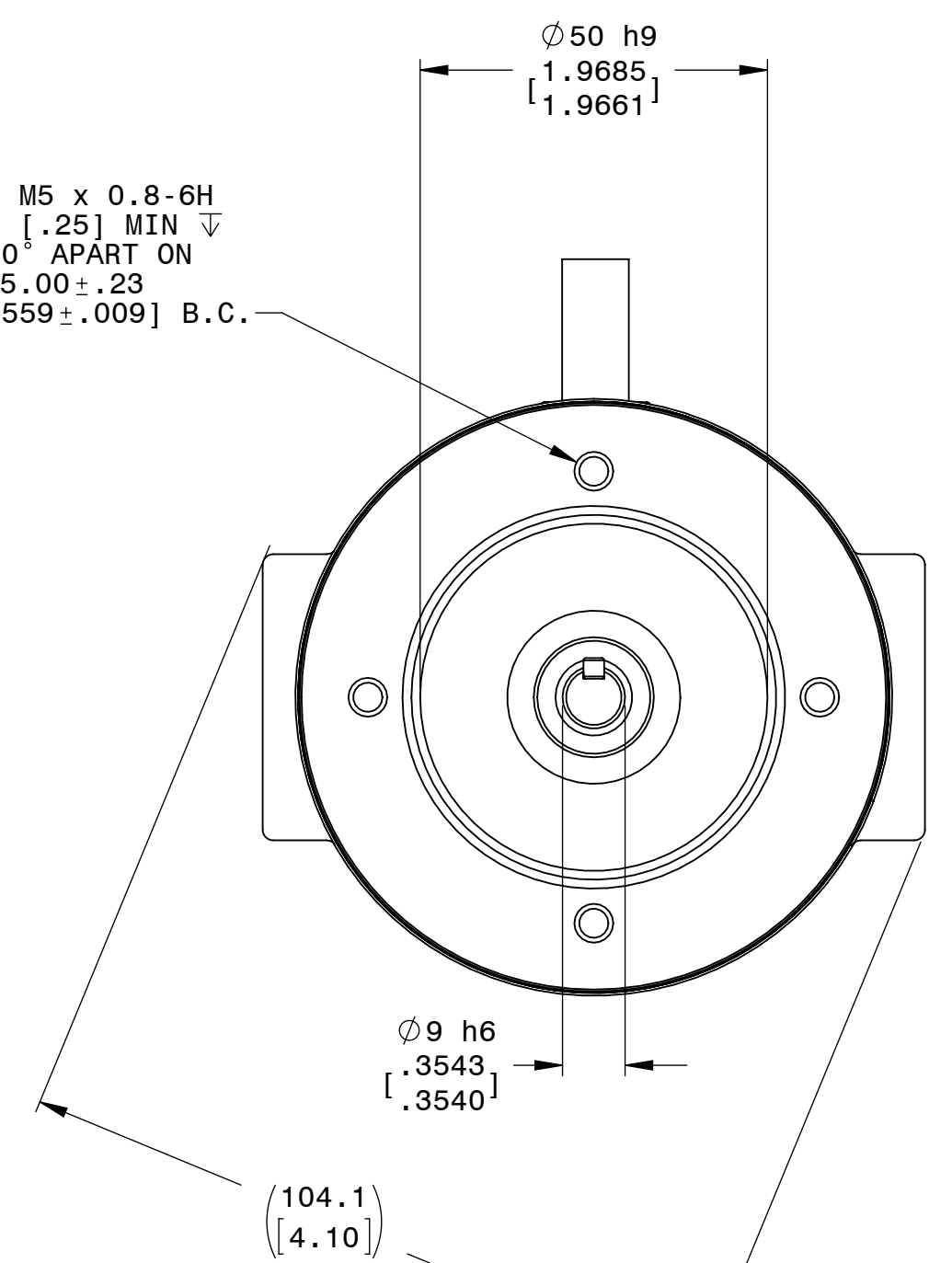
SHEET: 1/1  
SCALE: 1:1  
UNLESS OTHERWISE SPECIFIED:  
UNITS ARE IN mm [INCHES]  
ANGLES: X°:±3° X.X°:±0.5°  
C



[4] M5 x 0.8-6H  
6.3 [.25] MIN ∇  
90.0° APART ON  
∅65.00±.23  
[2.559±.009] B.C.

3 mm SQ x  
14 mm KEY

( 2.11 )  
[.083]



REPRESENTATIVE OF MODEL NUMBER(S):  
6216

