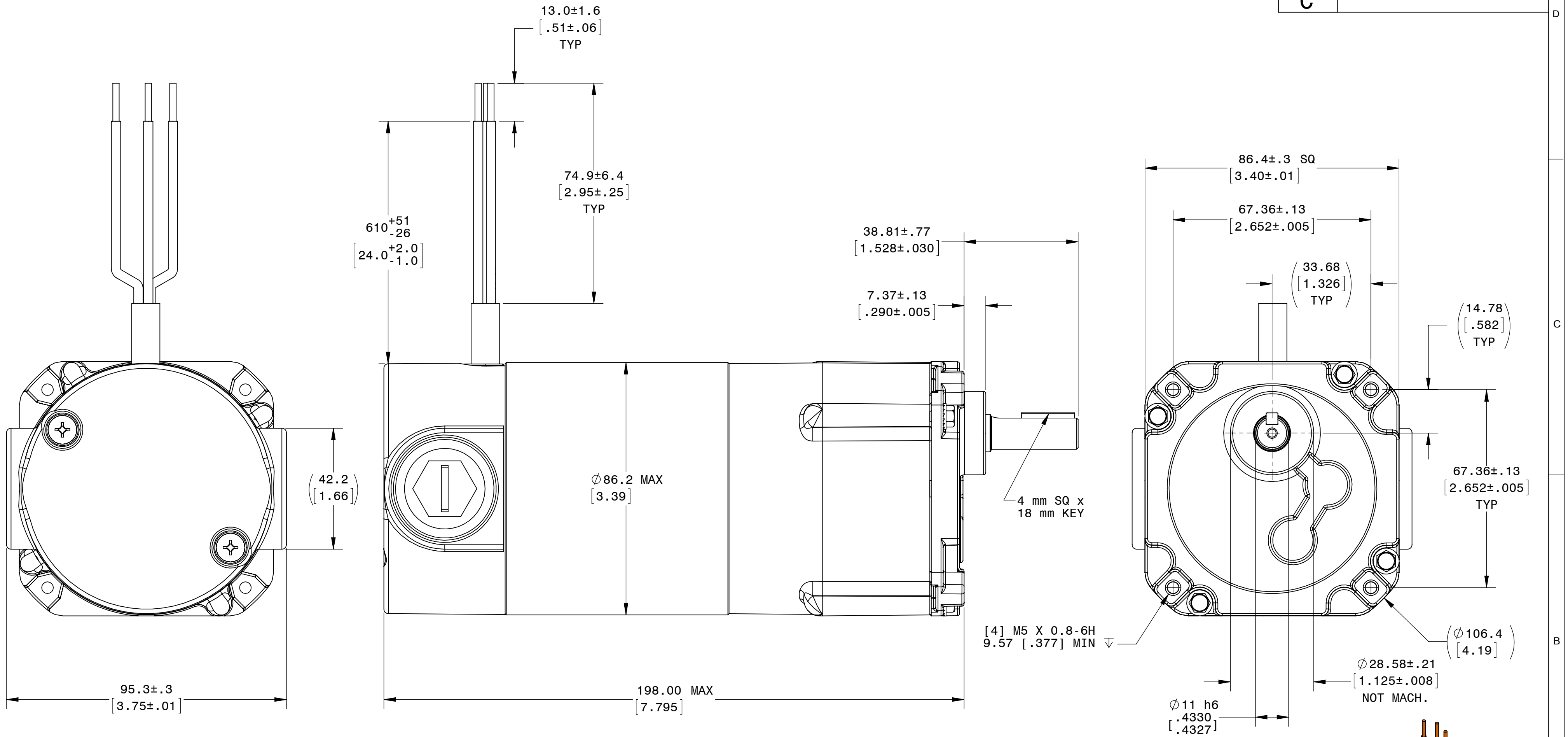


DESCRIPTION:  
GEARMOTOR 33A3BEPM-Z3/4 METRIC

SHEET: 1/1	UNLESS OTHERWISE SPECIFIED:
SCALE: 1:1	UNITS ARE IN mm [INCHES]
<b>C</b>	ANGLES: X°:±3° X.X°:±0.5°



REPRESENTATIVE OF MODEL NUMBER(S) :

6268 6269

