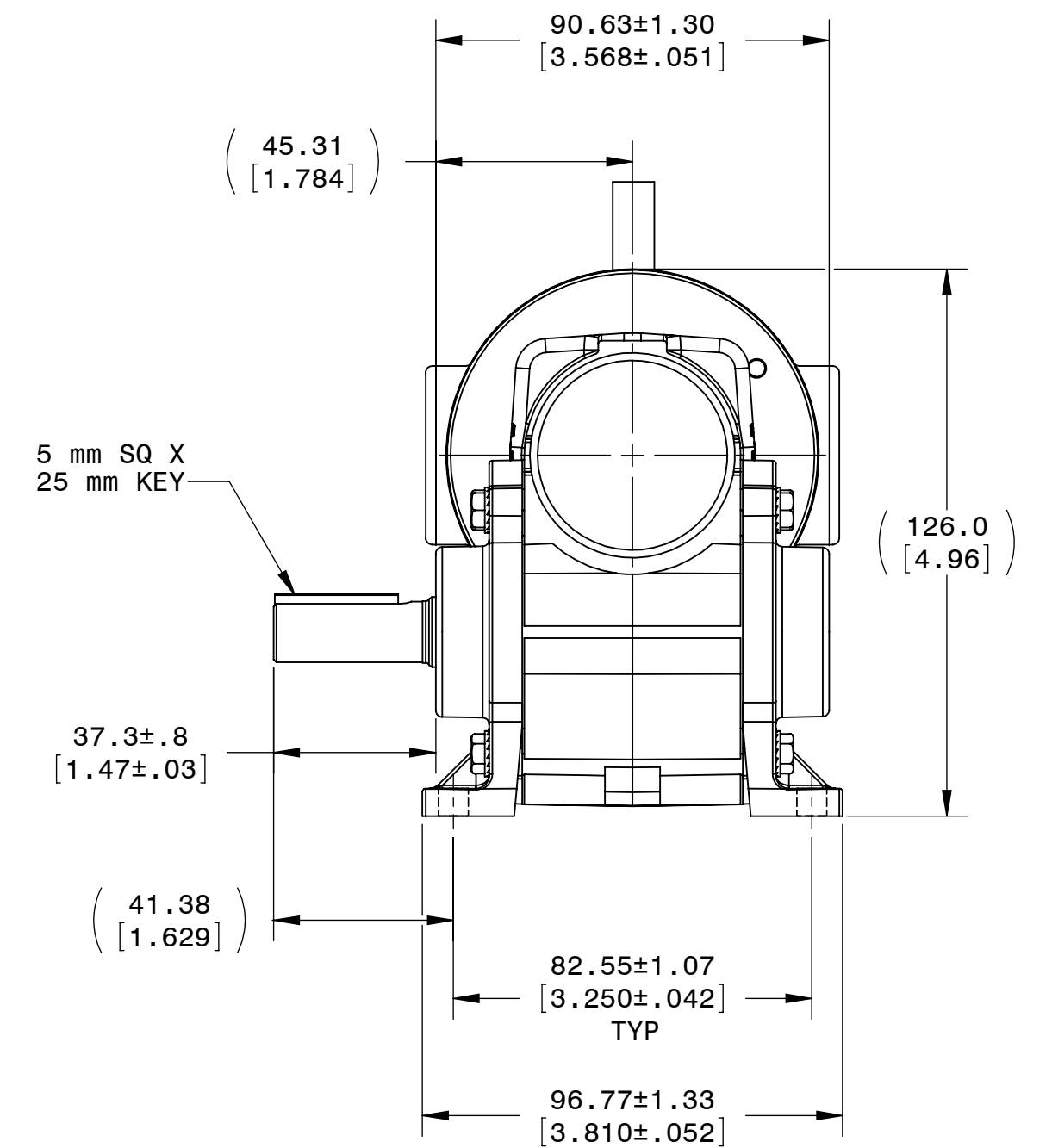
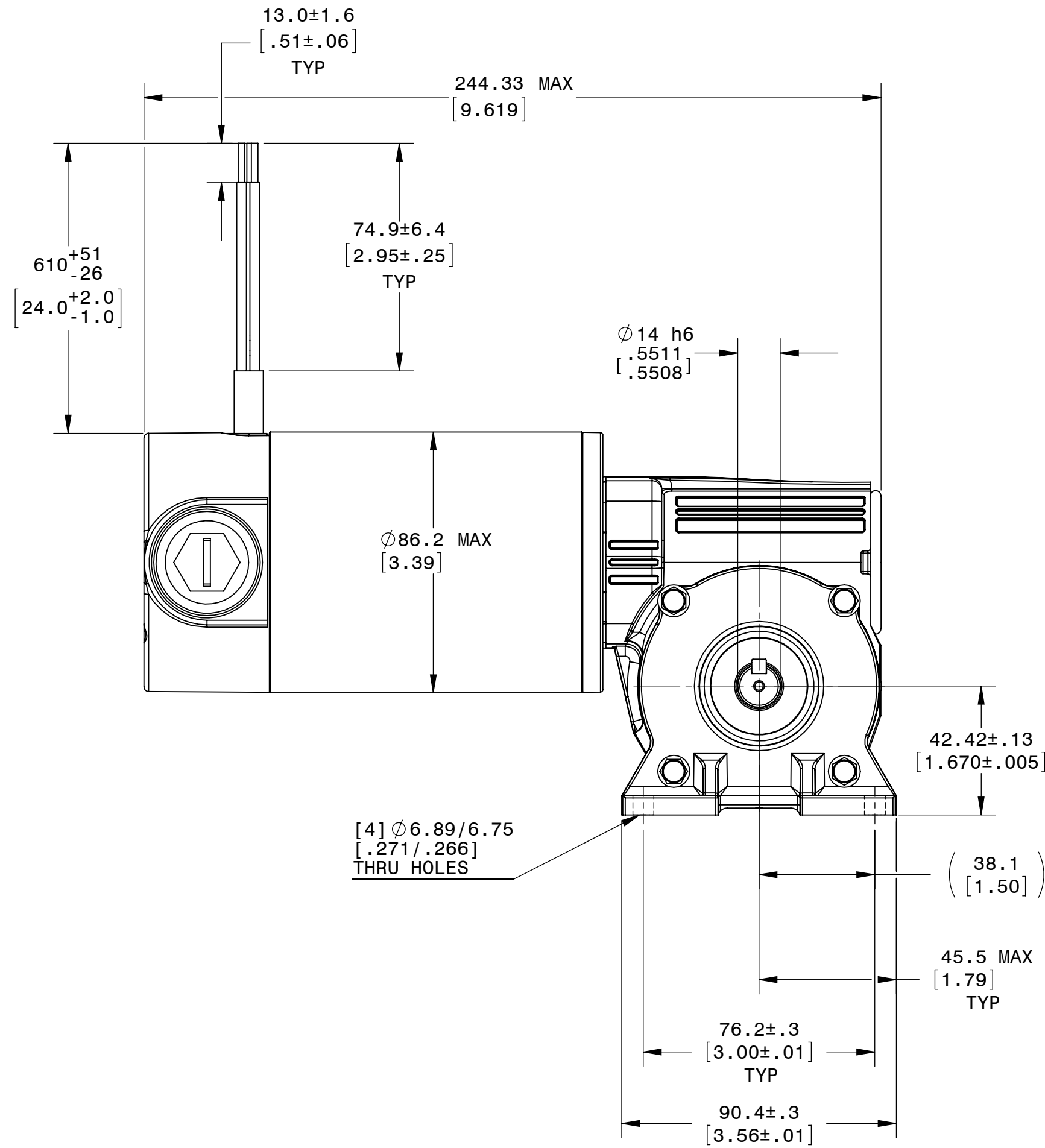
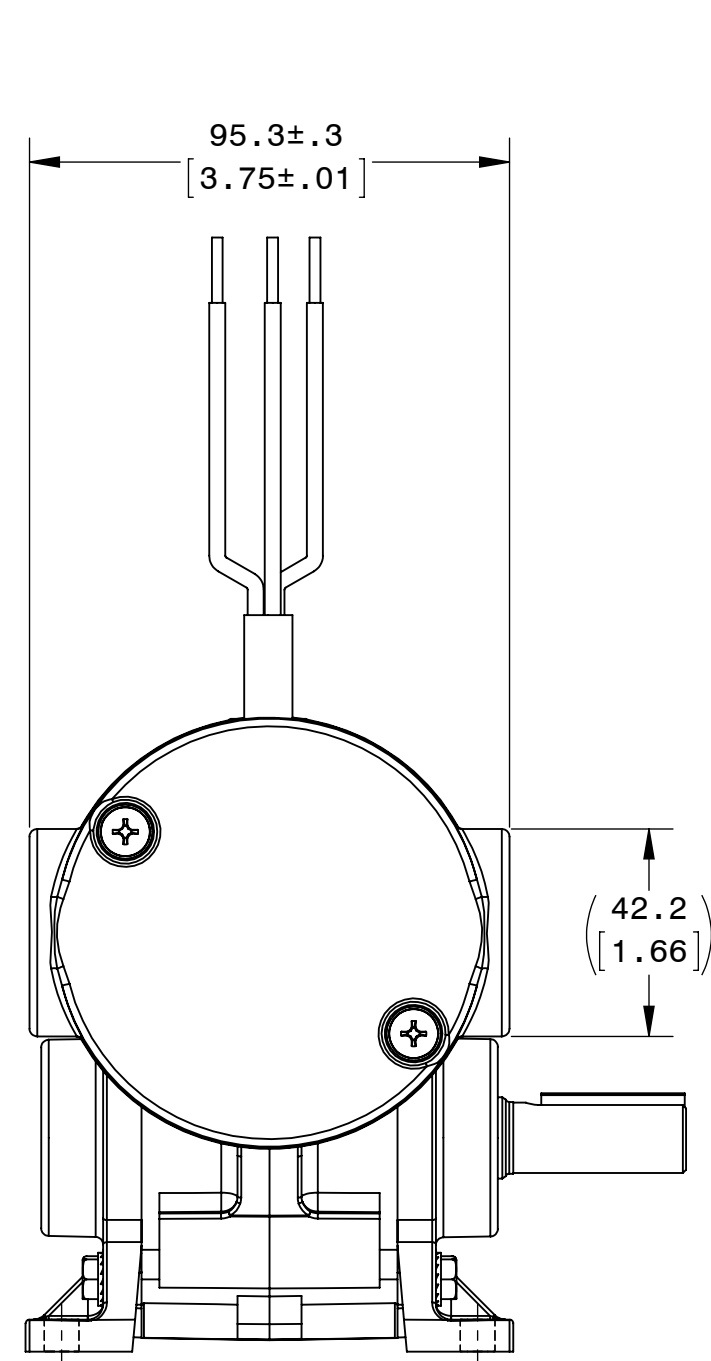


DESCRIPTION:
GEARMOTOR 33A5BEPM-5F METRIC

| | |
|---------------|-----------------------------|
| SHEET: 1/1 | UNLESS OTHERWISE SPECIFIED: |
| SCALE: 2:3 | UNITS ARE IN mm [INCHES] |
| C | ANGLES: X°:±3° X.X°:±0.5° |



[4] Ø6.89/6.75
[.271/.266]
THRU HOLES

REPRESENTATIVE OF MODEL NUMBER(S):

6240 6241 6242 6244

