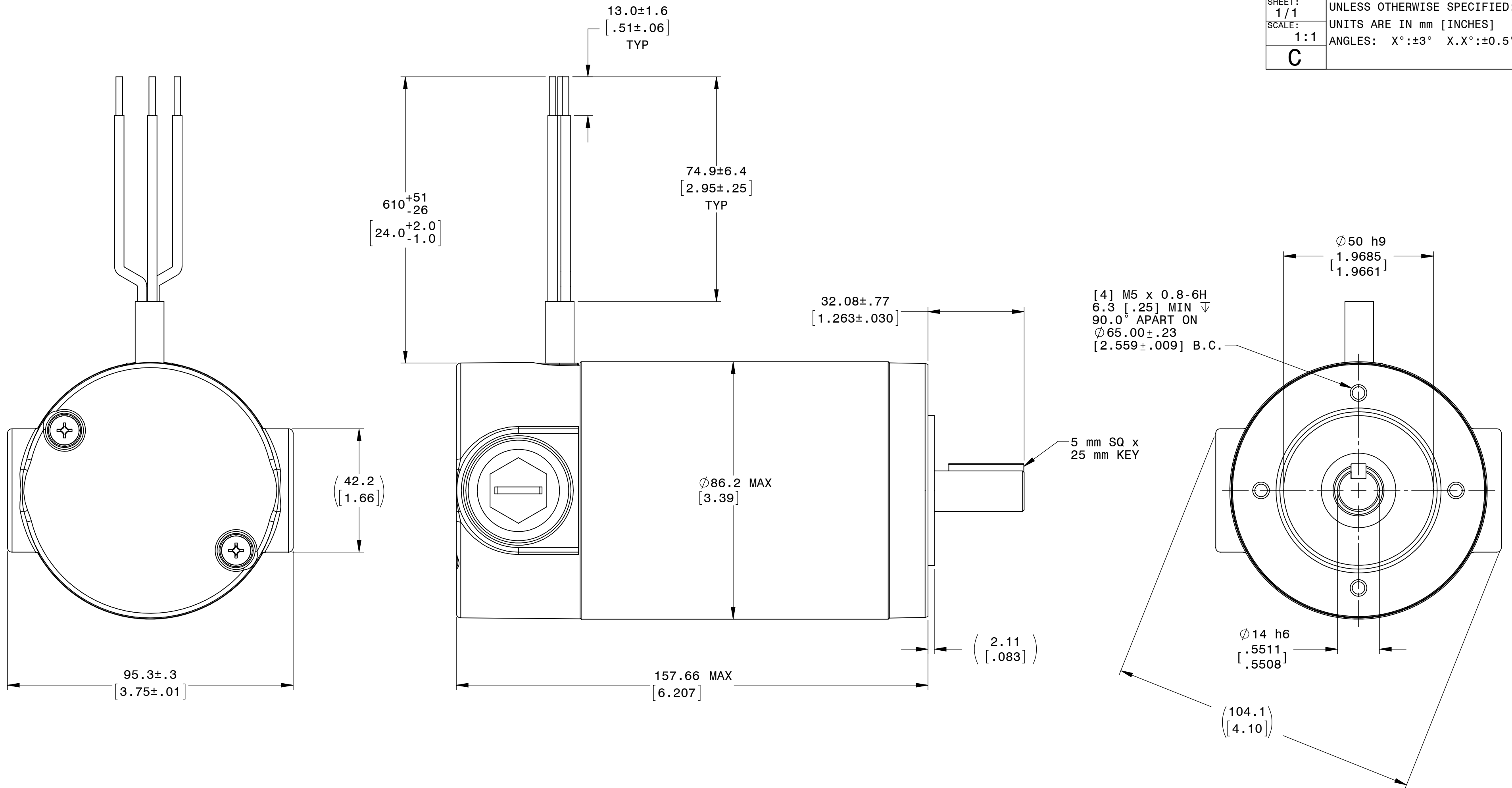


DESCRIPTION:  
MOTOR 33A5BEPM METRIC

SHEET: 1/1  
SCALE: 1:1  
UNLESS OTHERWISE SPECIFIED:  
UNITS ARE IN mm [INCHES]  
ANGLES: X°:±3° X.X°:±0.5°  
C



REPRESENTATIVE OF MODEL NUMBER(S):  
6227 6230

