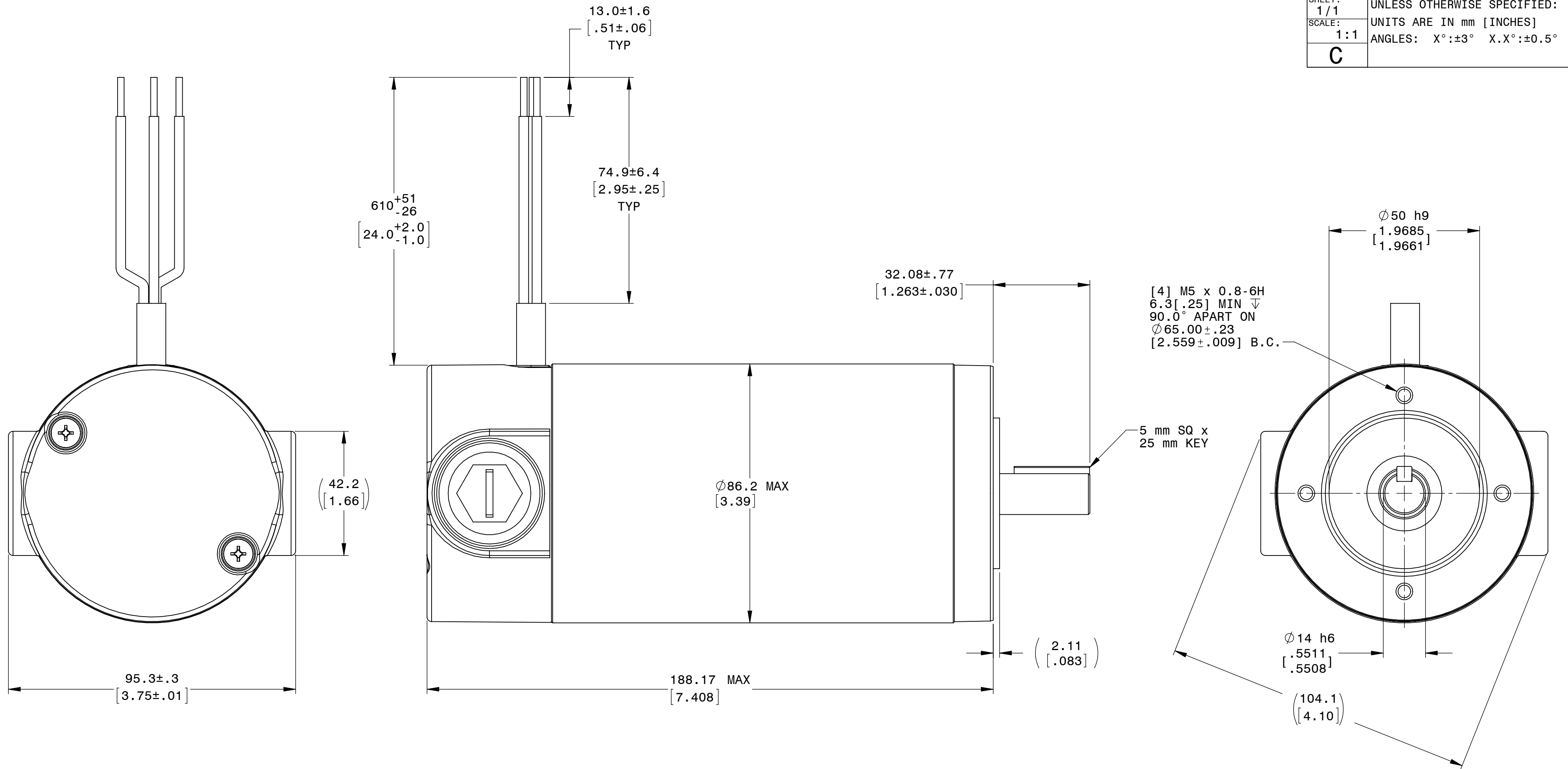


DESCRIPTION:
MOTOR 33A7BEPM METRIC

SHEET: 1/1
SCALE: 1:1
C

UNLESS OTHERWISE SPECIFIED:
UNITS ARE IN mm [INCHES]
ANGLES: X°:±3° X.X°:±0.5°



REPRESENTATIVE OF MODEL NUMBER(S):
6231 6237

