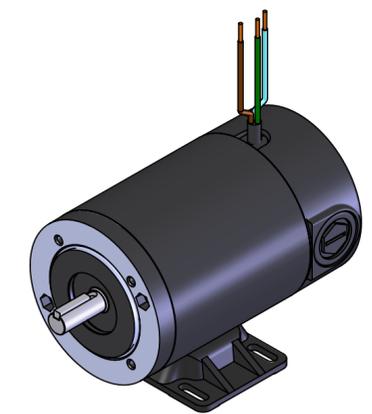
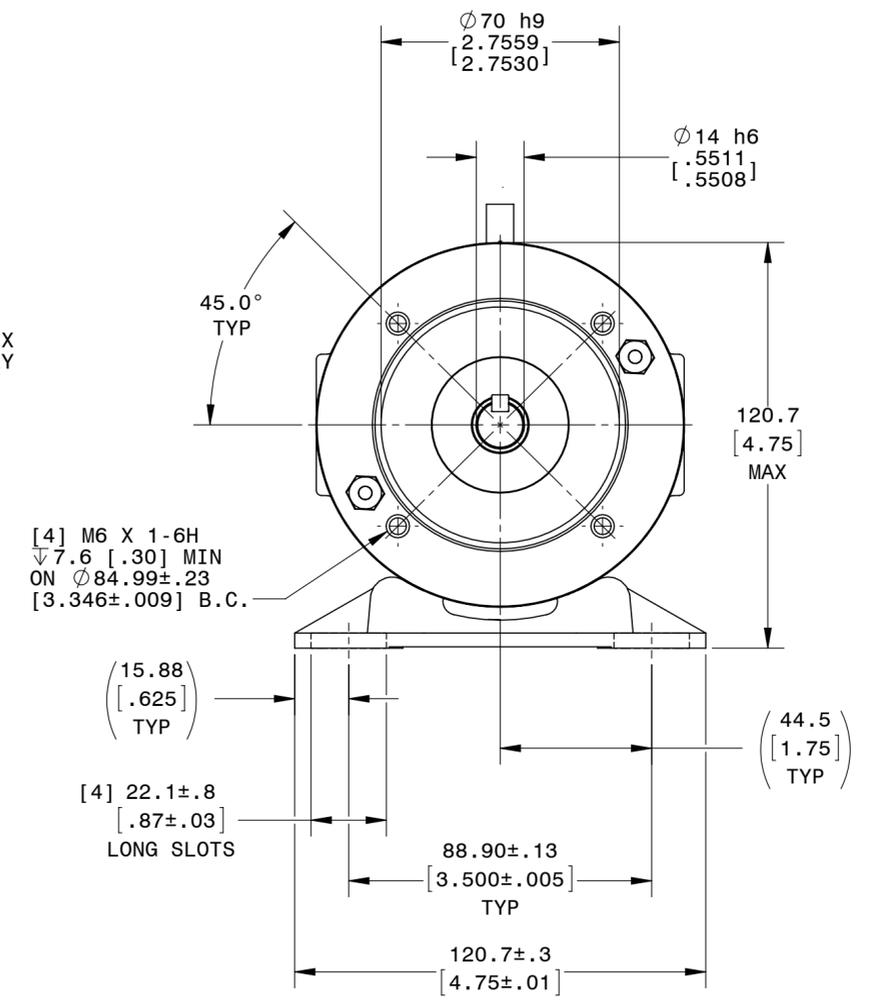
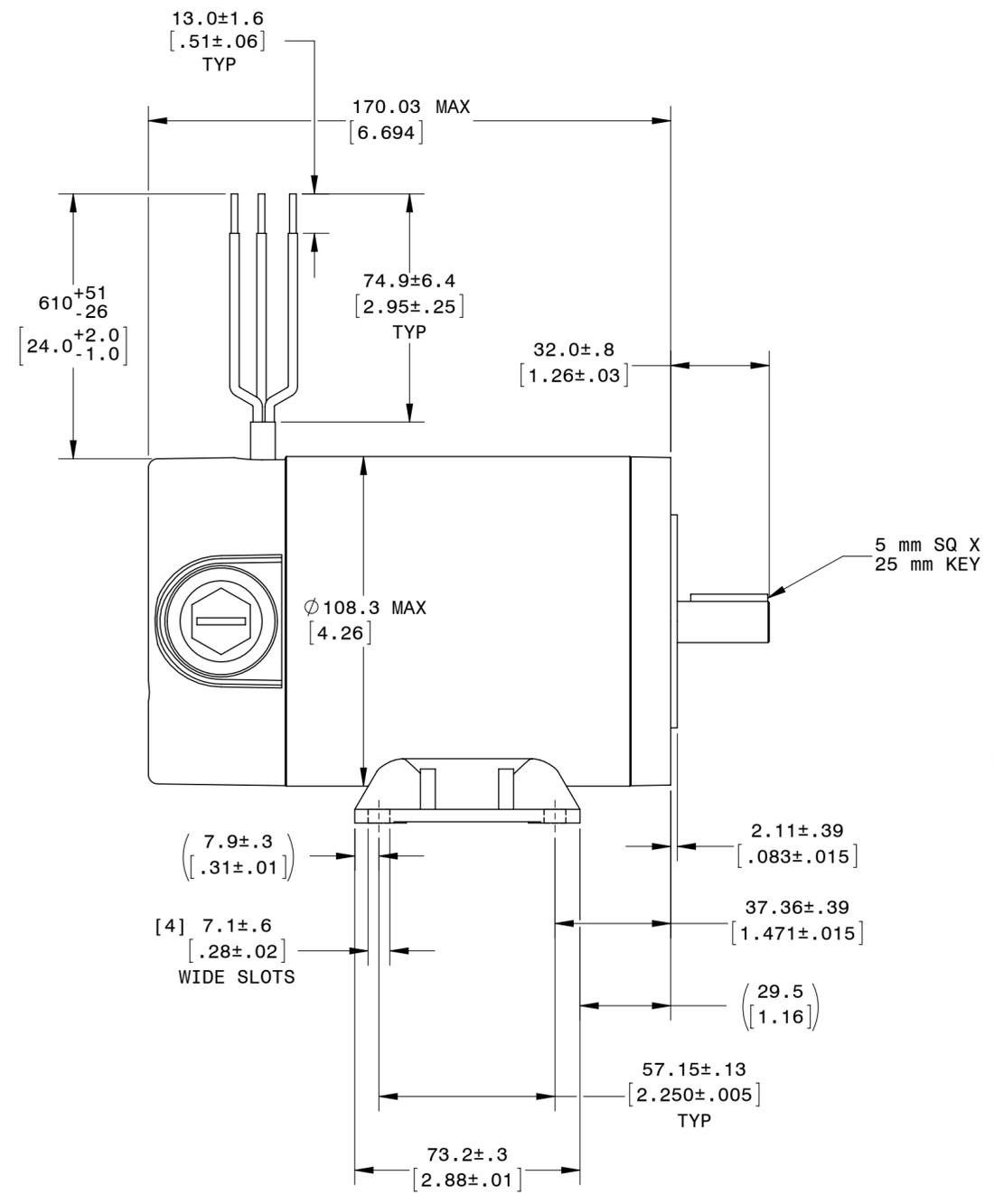
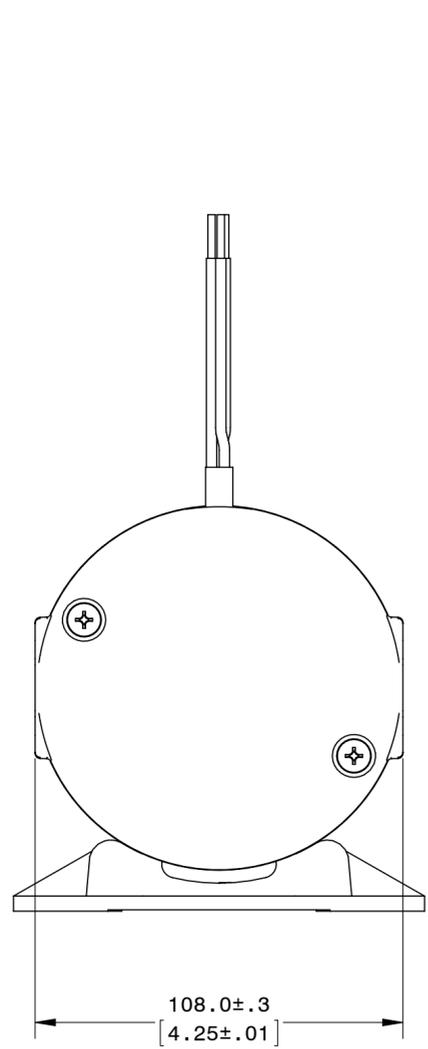


DESCRIPTION:  
MOTOR 42A5BEPM METRIC

SHEET: Sheet1  
SCALE: 2:3  
C

UNLESS OTHERWISE SPECIFIED:  
UNITS ARE IN mm [INCHES]  
ANGLES: X°:±3° X.X°:±0.5°



REPRESENTATIVE OF MODEL NUMBER(S):  
4227 4230