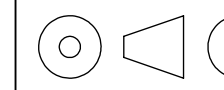
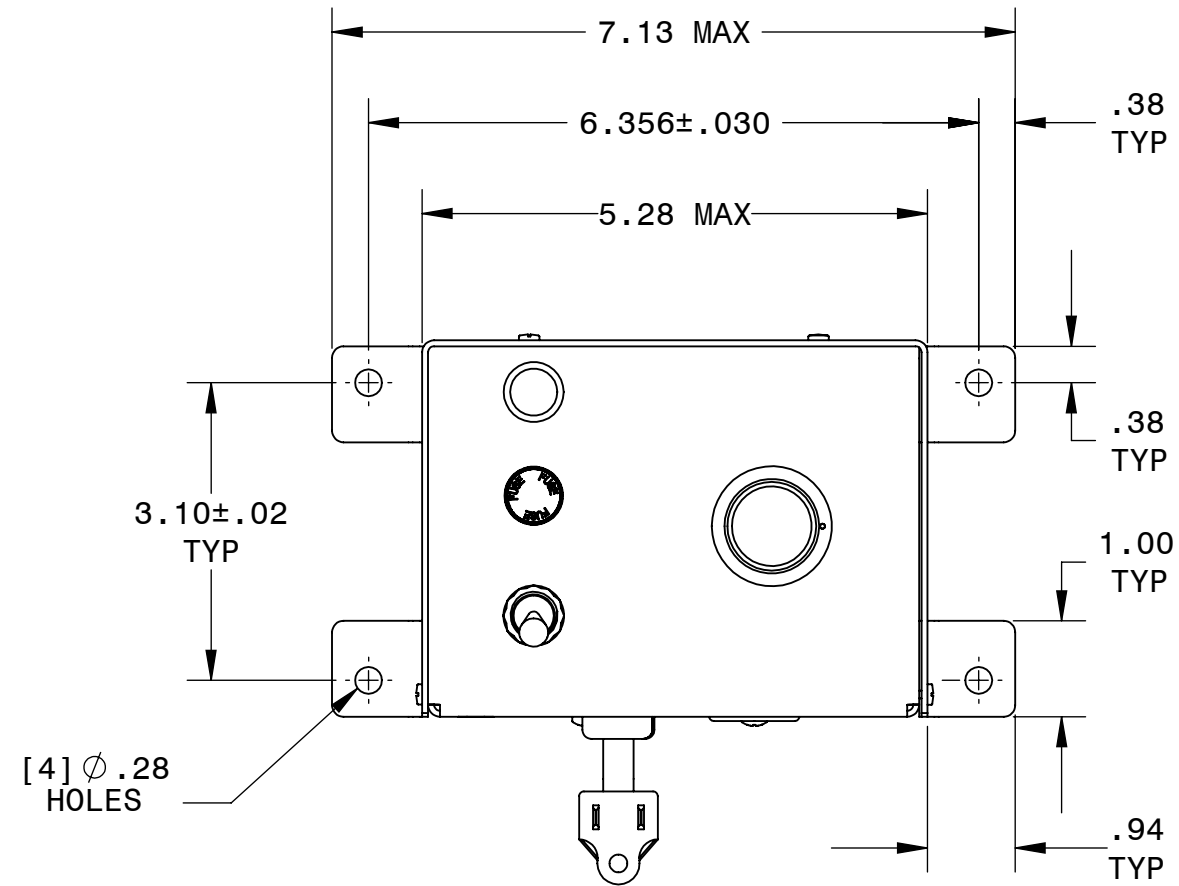
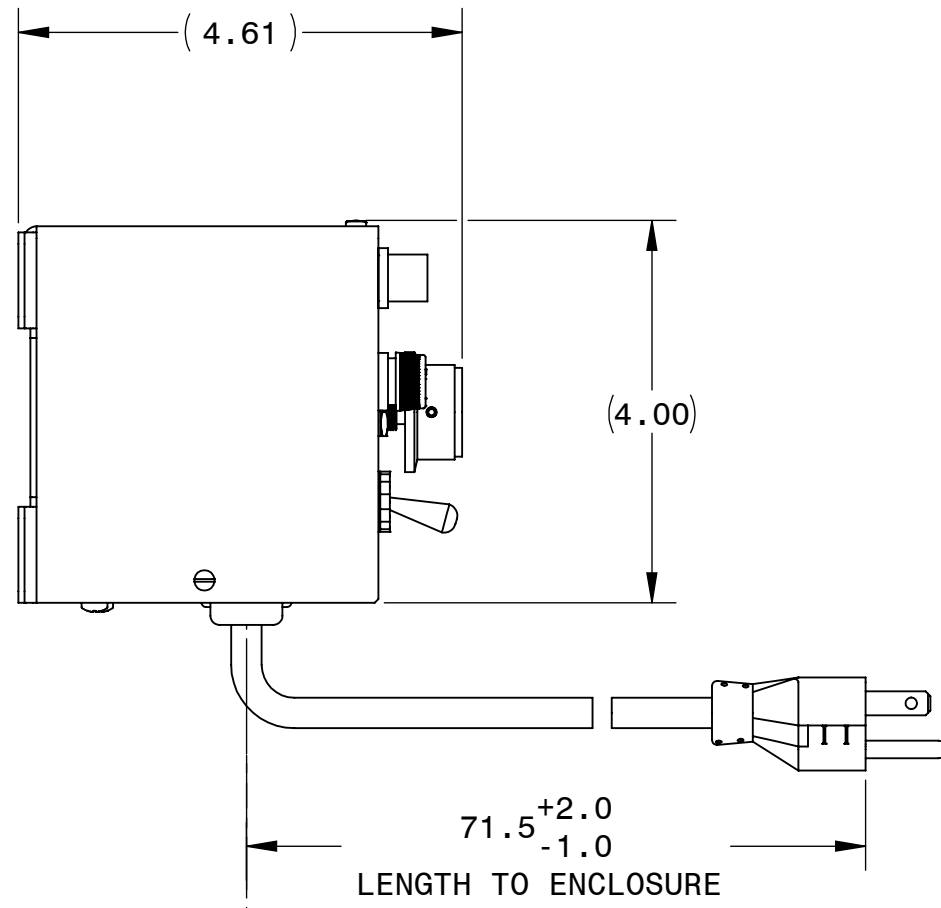


BODINE ELECTRIC COMPANY

PART NO./REV: INFM0032 A	
DESCRIPTION: CONTROL UPM-3318E1	
SHEET: Sheet1	UNLESS OTHERWISE SPECIFIED:
SCALE: 1:2	UNITS ARE IN INCHES [mm]
B	TOLERANCES: .XX:±.01 .XXX:±.005
	ANGLES: X°:±3° X.X°:±0.5°



NOTE:
PRODUCT IS SHIPPED WITH COVER FASTENERS IN A SEPARATE BAG.
ENCLOSURE IS SHOWN ASSEMBLED WITH FASTENERS INSTALLED



REPRESENTATIVE OF MODEL NUMBER(S):
0867

