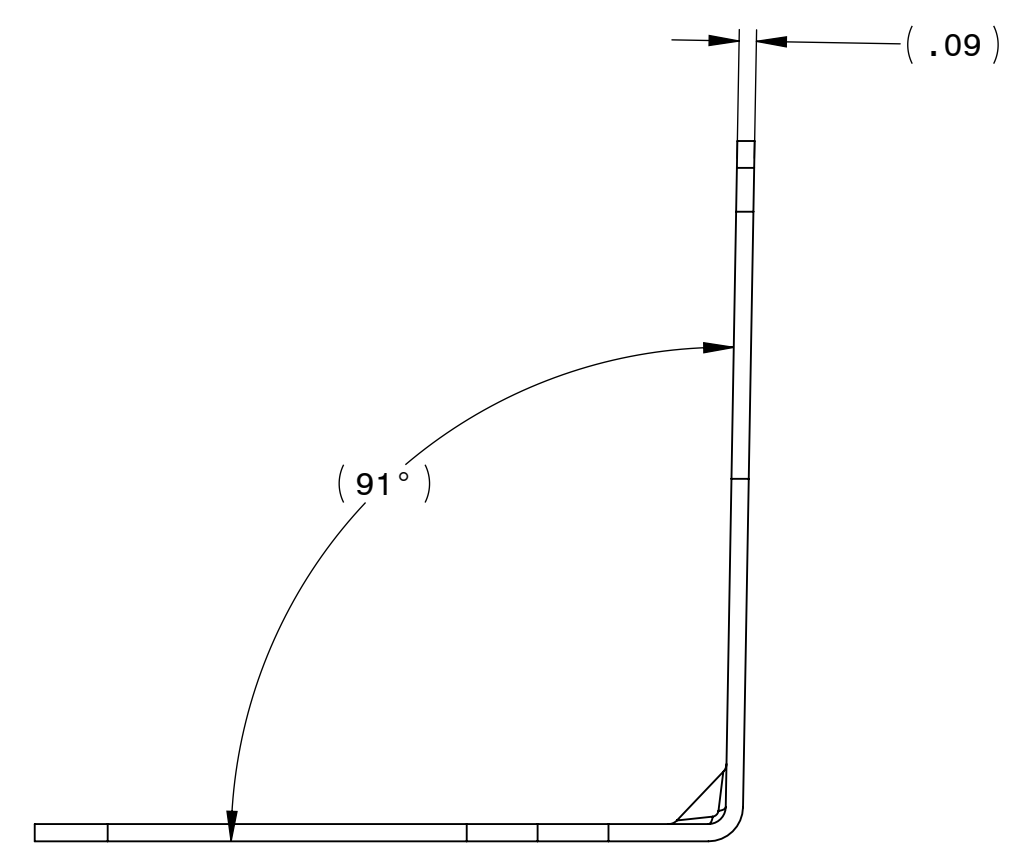
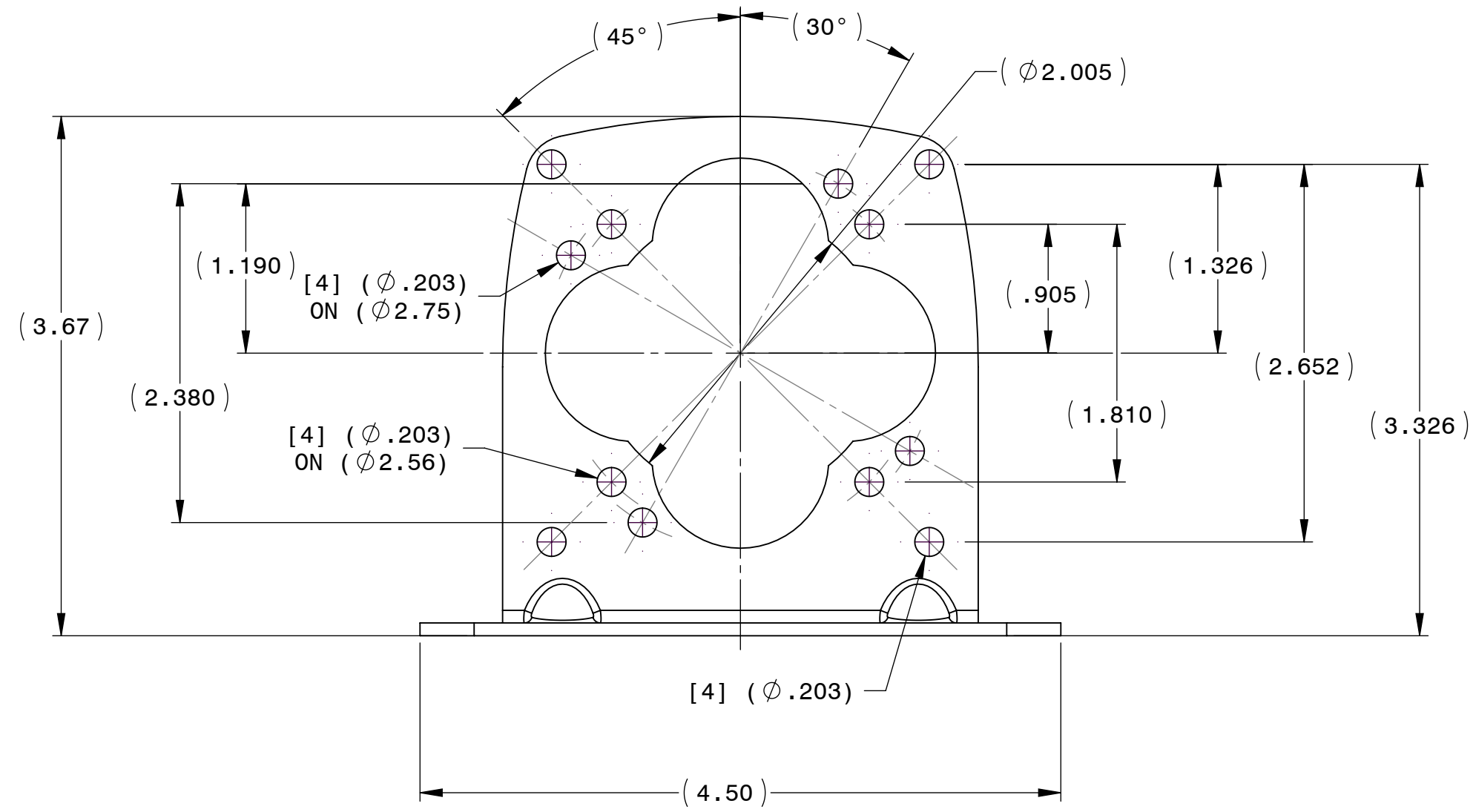
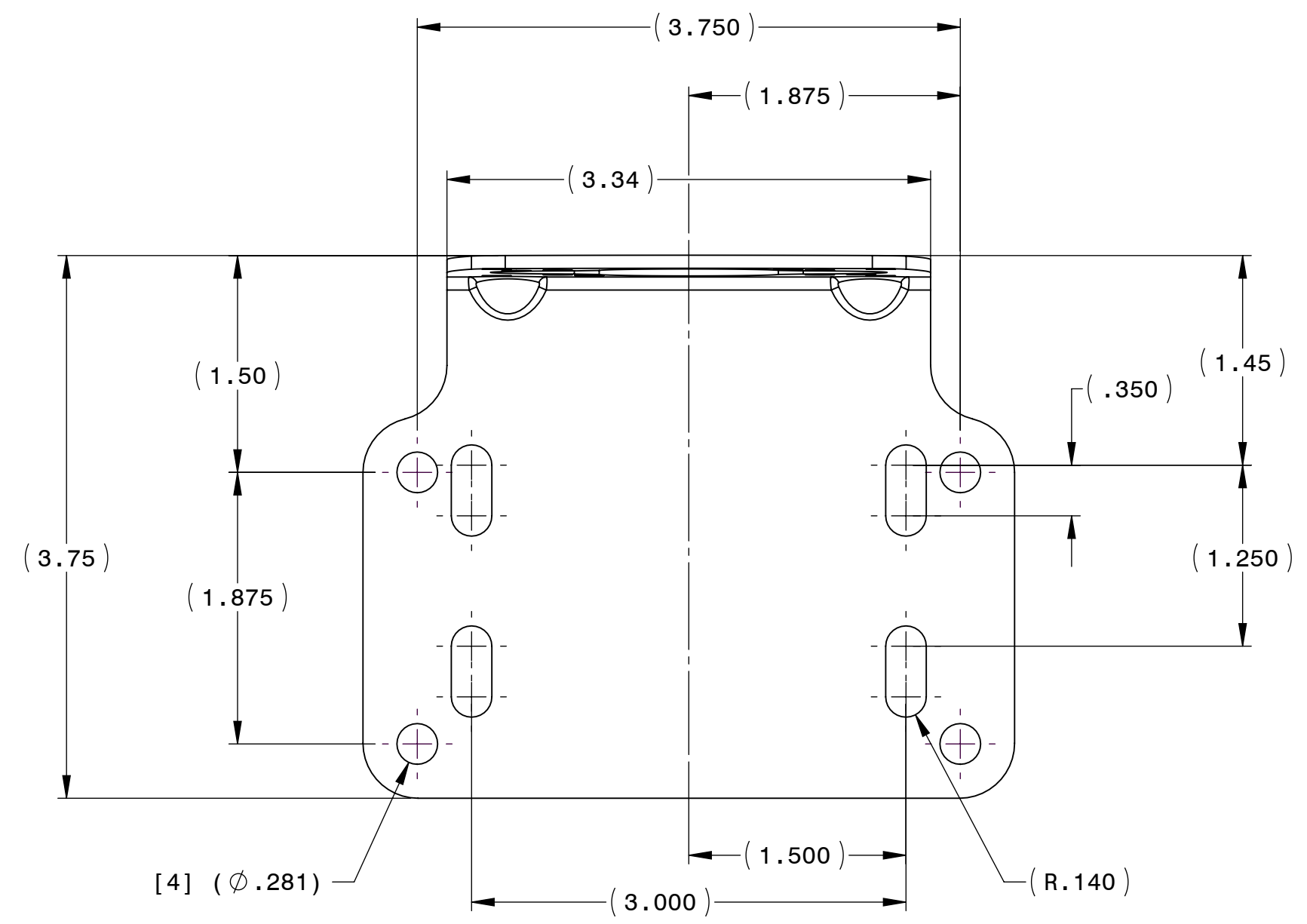


DESCRIPTION:
KIT BRACKET 22B/24A/30R/33A-D/Z

SHEET:	1/1	UNLESS OTHERWISE SPECIFIED:
SCALE:	1:2	UNITS ARE IN INCHES [mm]
C		TOLERANCES: .XX:±.01 .XXX:±.005
		ANGLES: X°:±3° X.X°:±0.5°

- NOTES:
 1. MATERIAL: .090 THICKNESS COLD ROLL STEEL
 2. [4] #10-32 X 0.37 LONG SCREWS SUPPLIED WITH BRACKET
 3. [4] LOCKWASHER FOR #10 SCREWS



REPRESENTATIVE OF MODEL NUMBER(S):
5968

