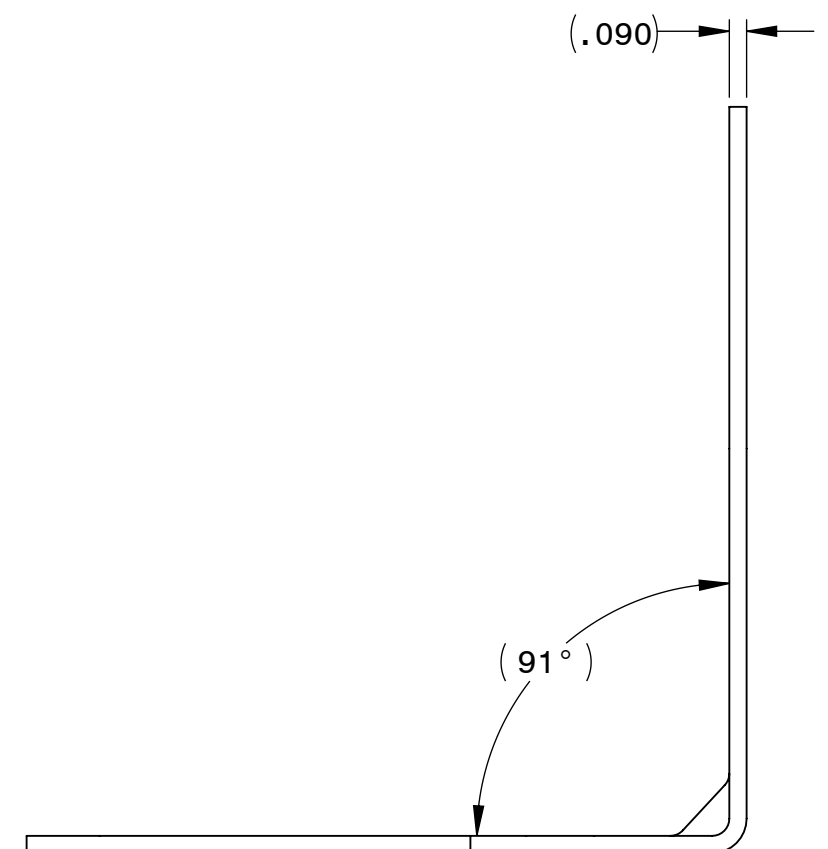
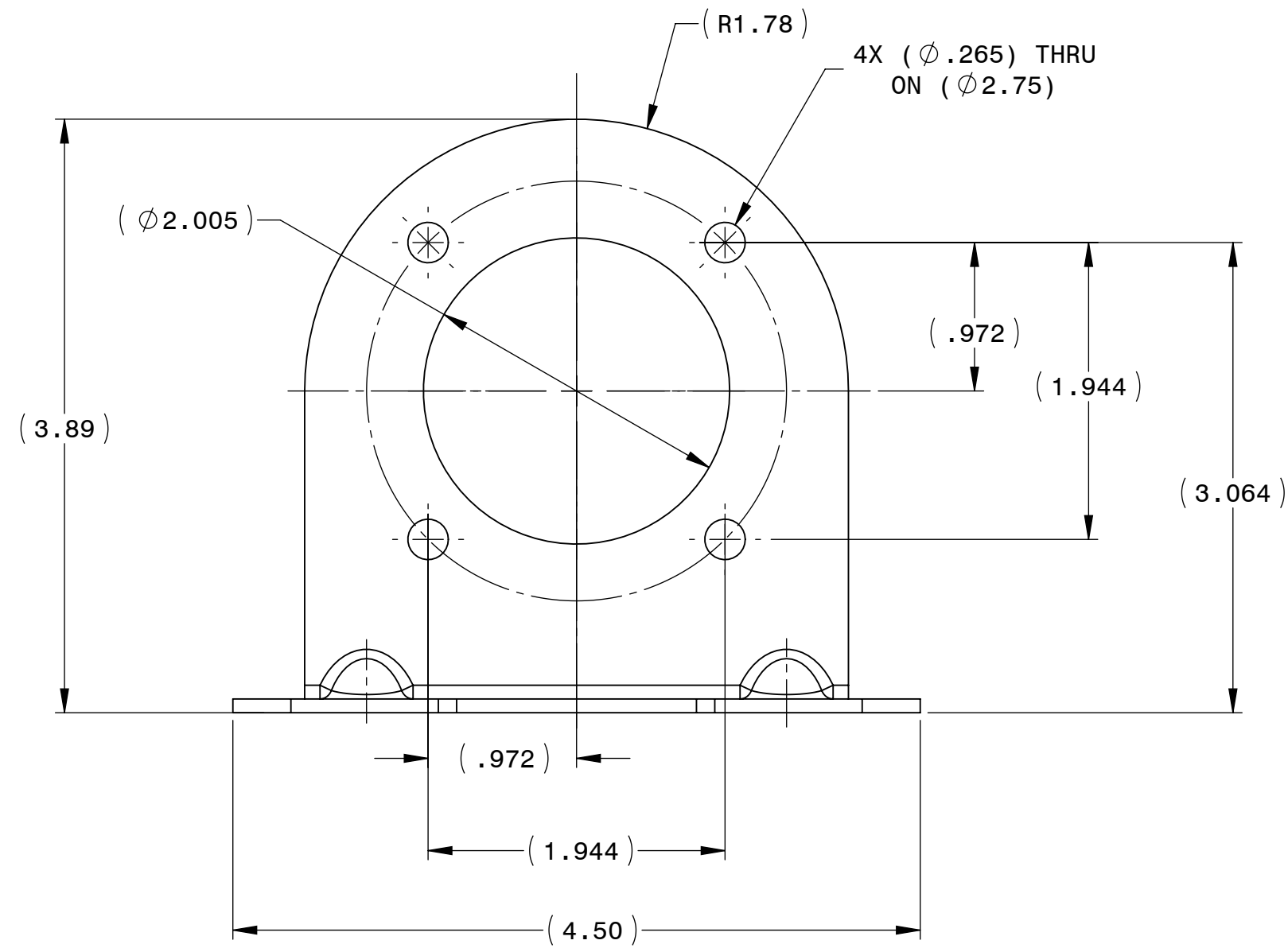
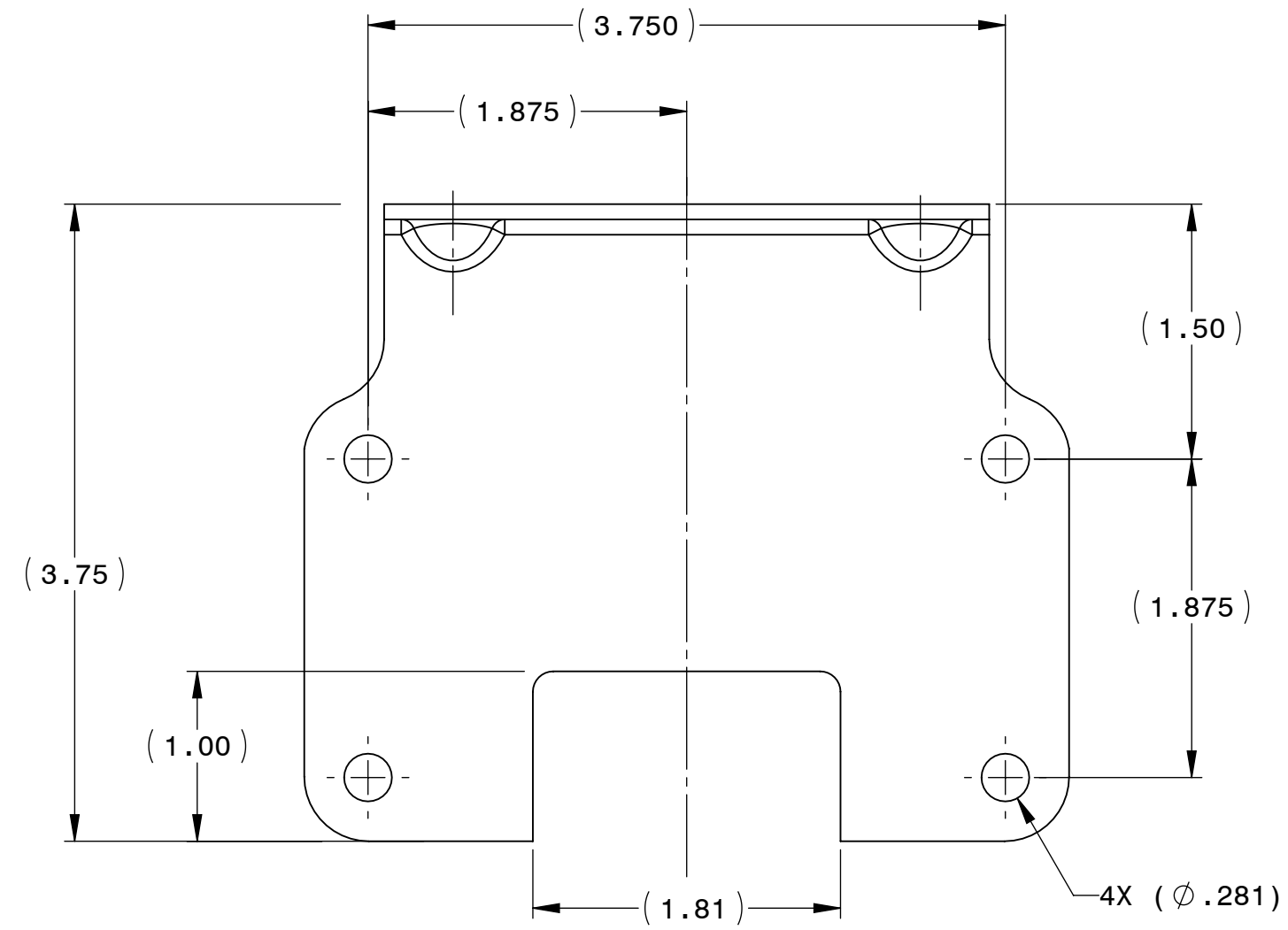


DESCRIPTION:
KIT BRACKET 34R & 34B

SHEET: 1/1
SCALE: 1:1
UNLESS OTHERWISE SPECIFIED:
UNITS ARE IN INCHES [mm]
C

- NOTES:
1. MATERIAL: .090 THICK STEEL
2. 4X 1/4-20 SCREWS SUPPLIED WITH BRACKET
3. 4X LOCKWASHER FOR 1/4 SCREWS
4. TORQUE SCREWS TO 55-65 LB-IN



REPRESENTATIVE OF MODEL NUMBER(S):
0979

