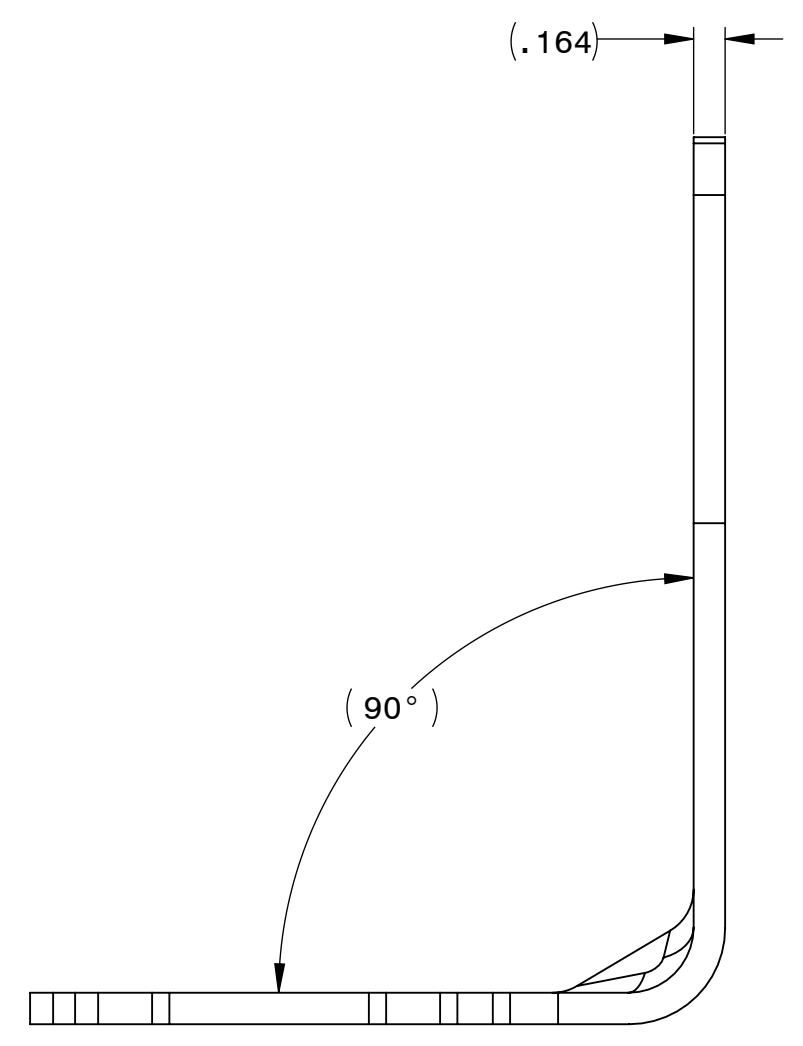
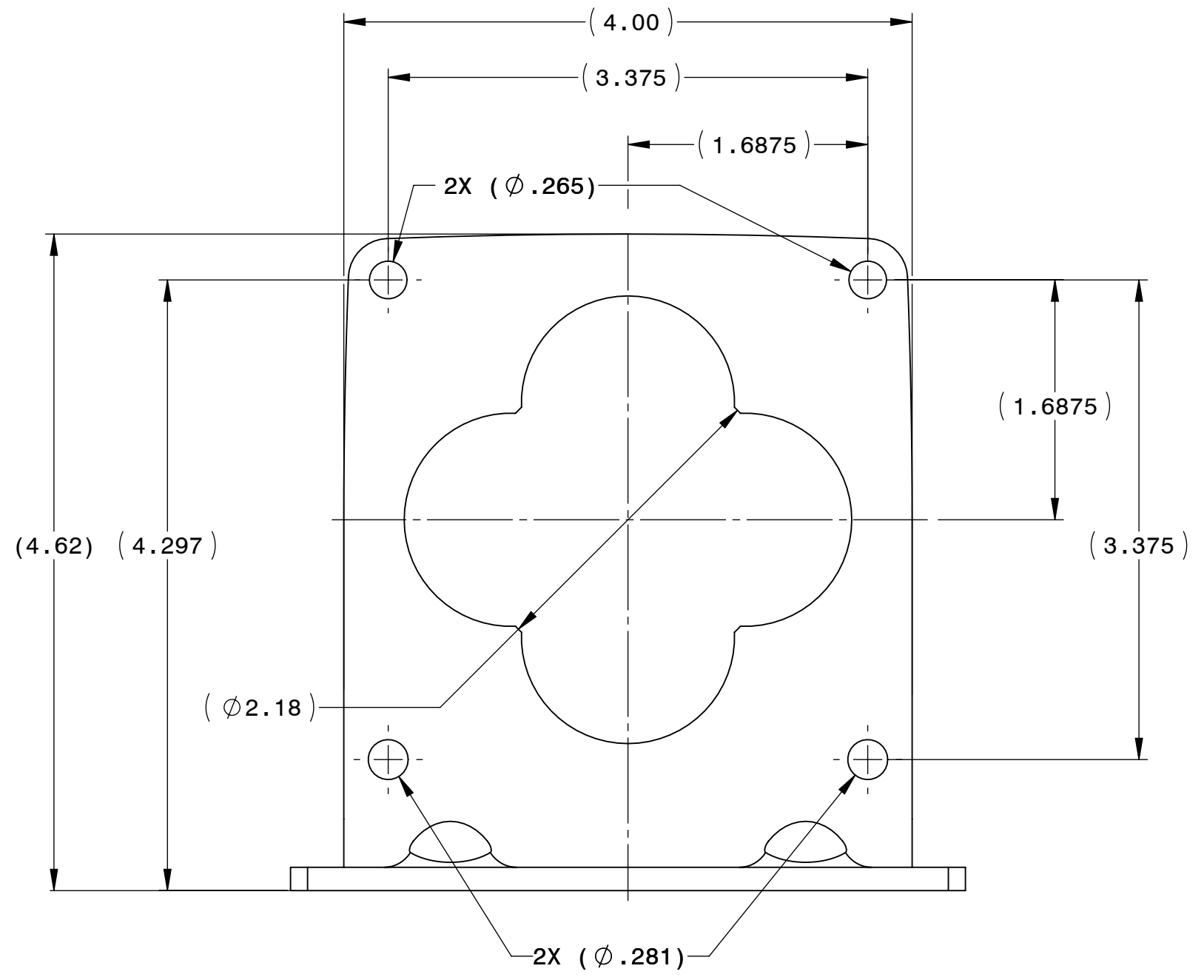
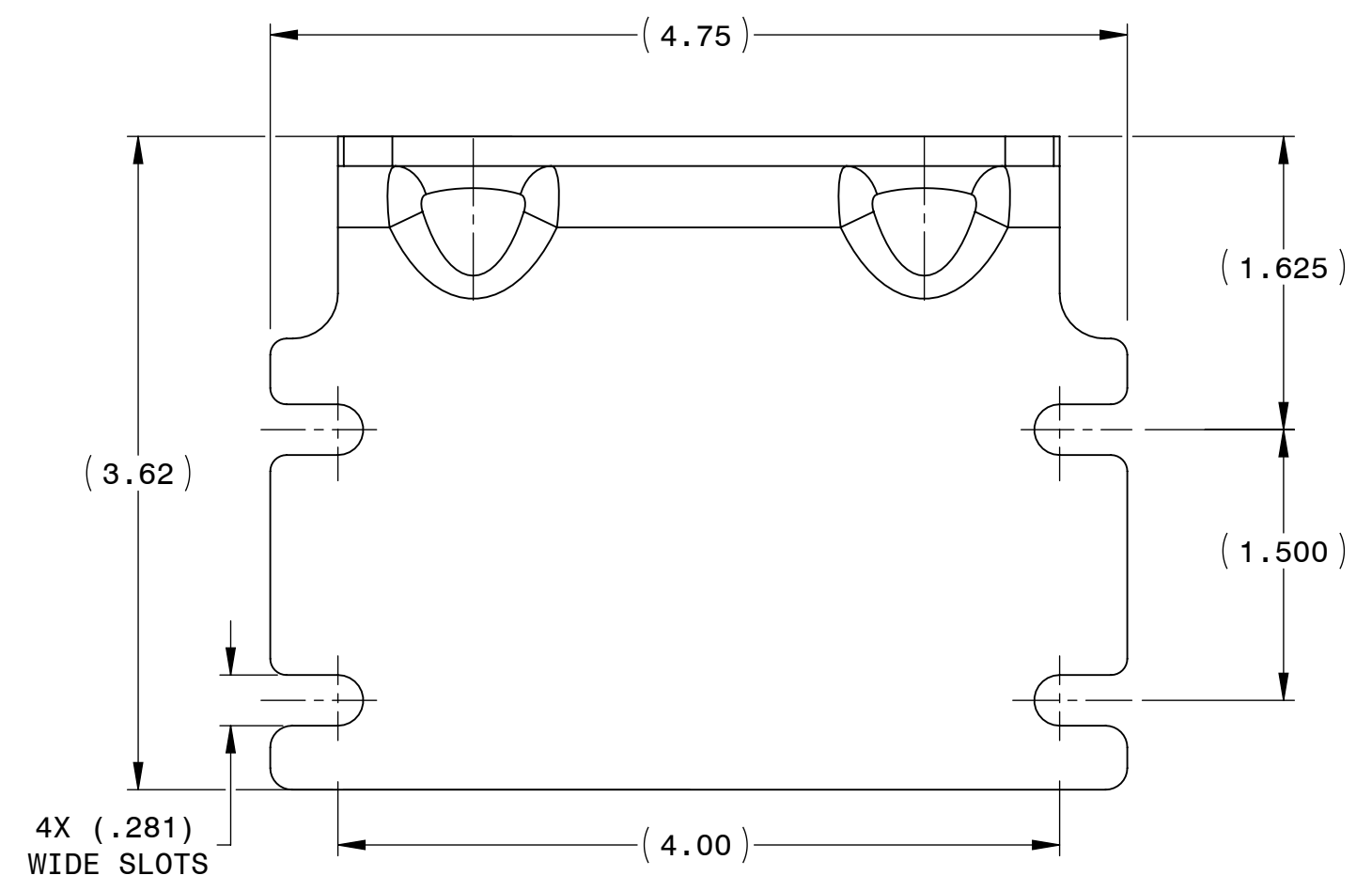


DESCRIPTION:
KIT BRACKET WX GEARHOUSING

SHEET: 1/1	UNLESS OTHERWISE SPECIFIED: UNITS ARE IN INCHES [mm]
SCALE: 1:1	
C	

- NOTES:
 1. MATERIAL: .164 THICK STEEL
 2. 4X 1/4-28 SCREWS SUPPLIED WITH BRACKET
 3. 4X LOCKWASHER FOR 1/4 SCREWS
 4. TORQUE SCREWS TO 50-60 LB-IN



REPRESENTATIVE OF MODEL NUMBER(S):
0970

