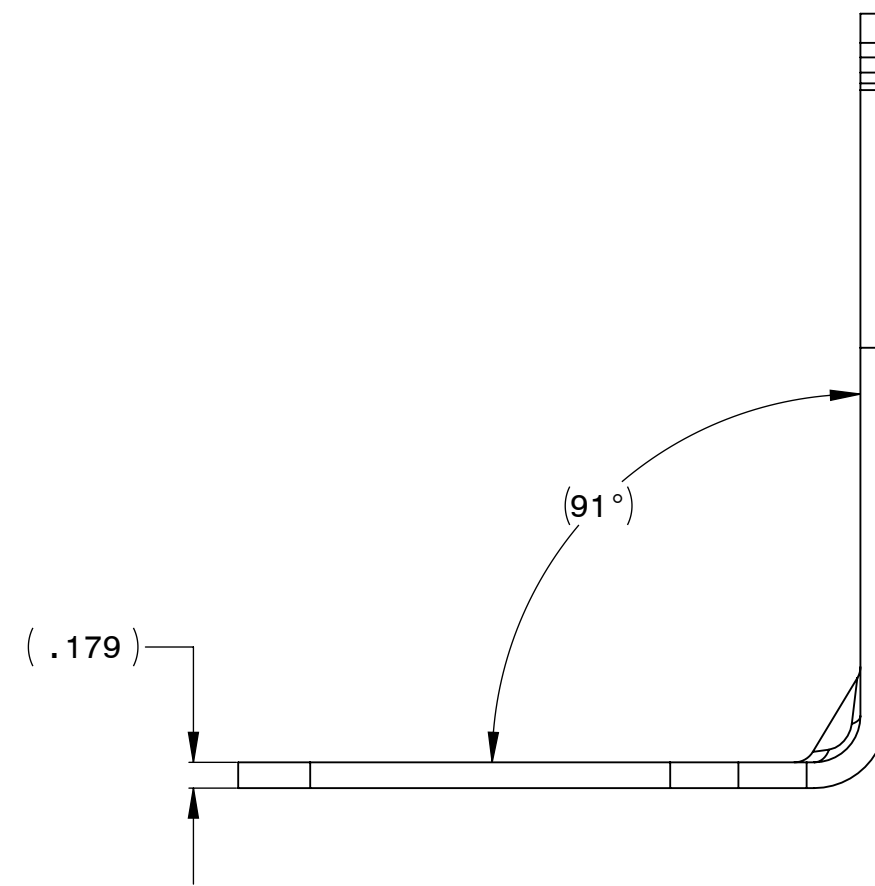
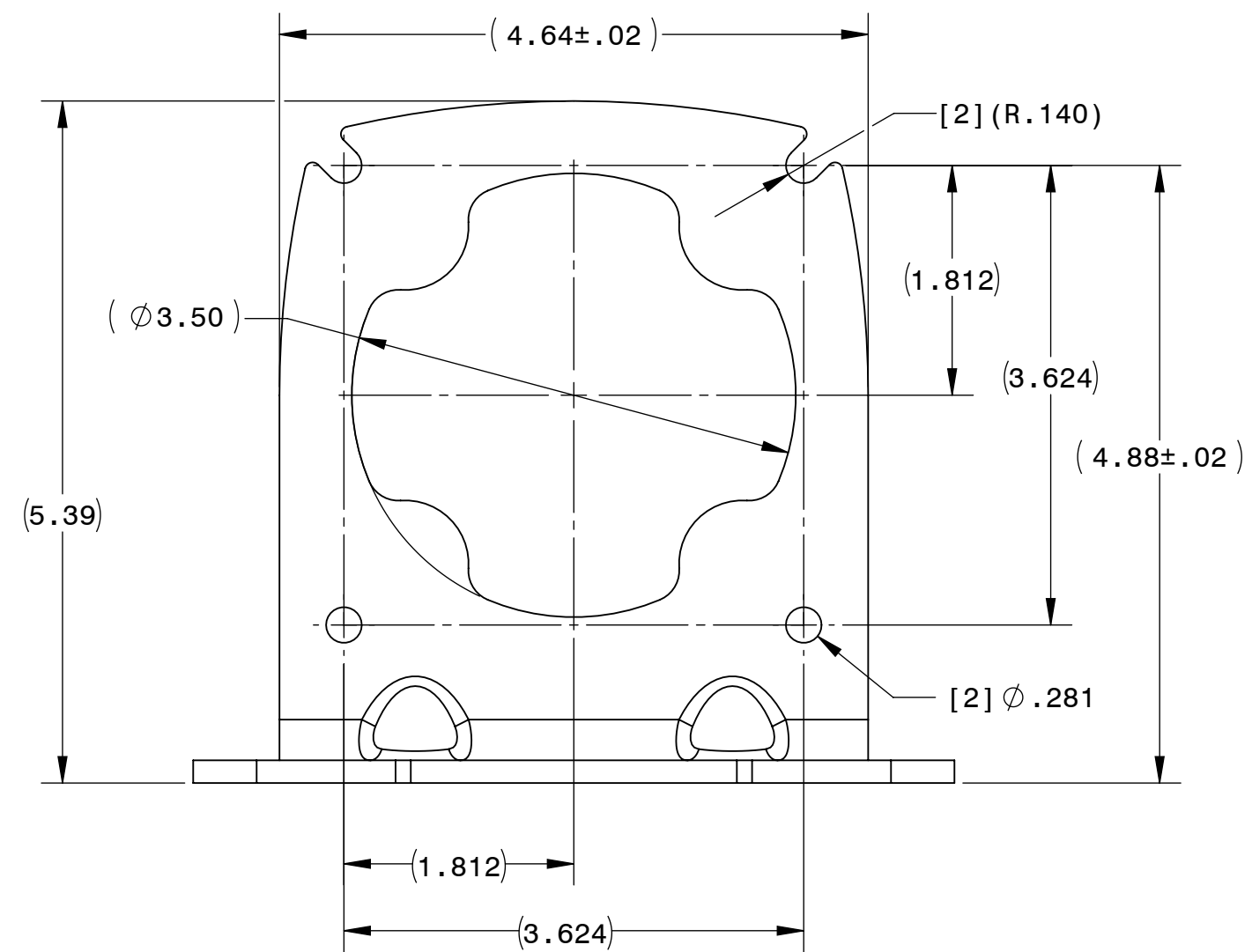
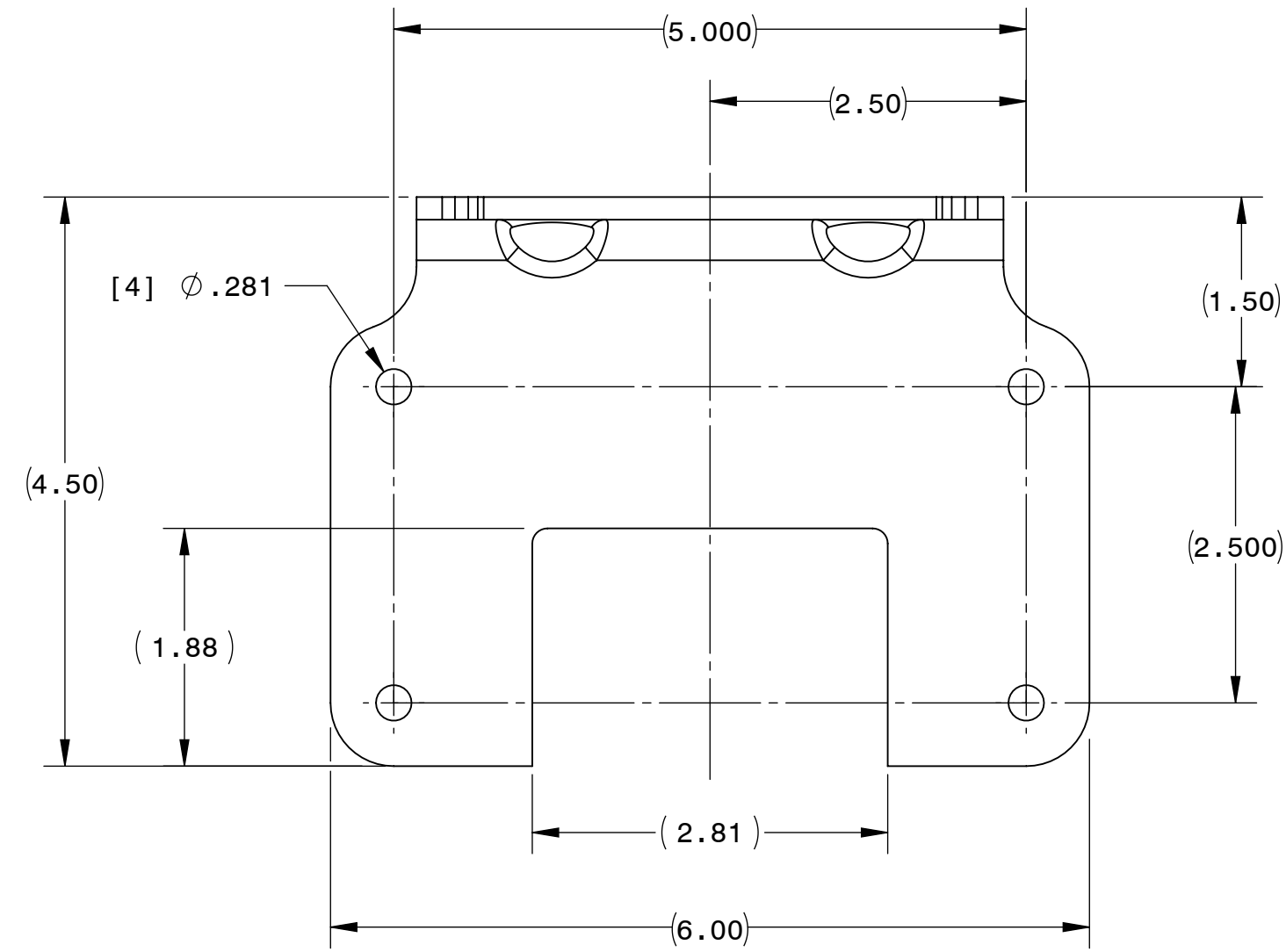


DESCRIPTION:  
KIT BRACKET E/F/FX GEARHOUSING

SHEET: 1/1  
SCALE: 3:4  
UNLESS OTHERWISE SPECIFIED:  
UNITS ARE IN INCHES [mm]  
TOLERANCES: .XX:±.01 .XXX:±.005  
C ANGLES: X°:±3° X.X°:±0.5°

- NOTES:  
1. MATERIAL: .179 THICKNESS HRPO SAE 1011 STEEL  
2. [4] 1/4-28 SCREWS SUPPLIED WITH BRACKET  
3. [4] LOCKWASHERS FOR 1/4 SCREWS  
4. TORQUE SCREWS TO 50-60 LB-IN



REPRESENTATIVE OF MODEL NUMBER(S):

0969

