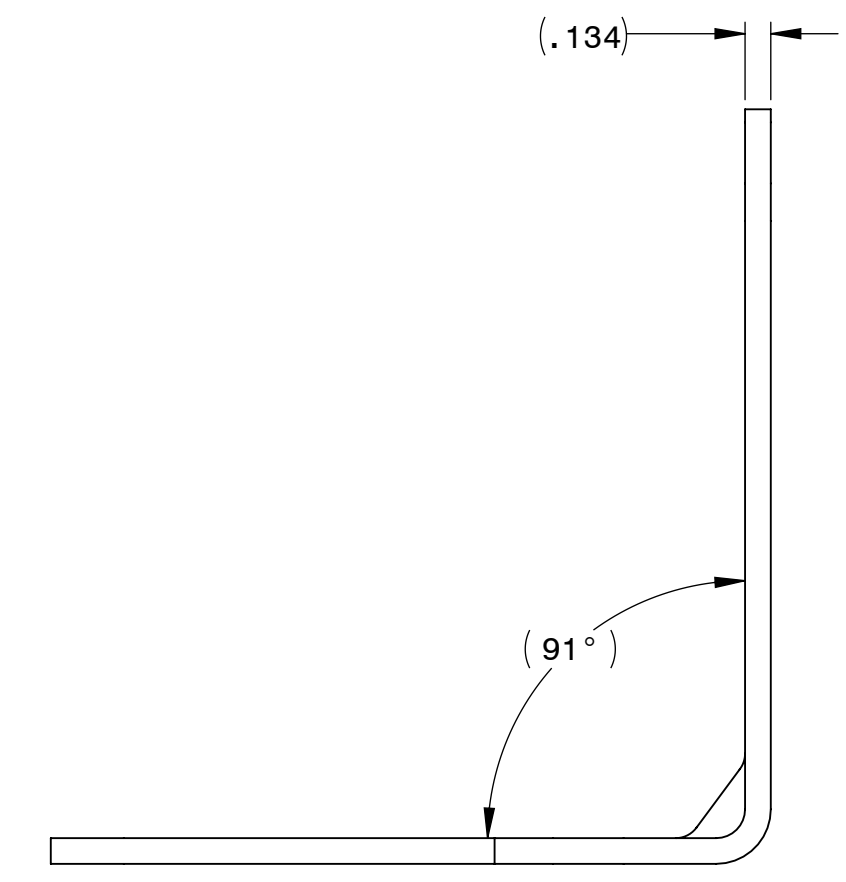
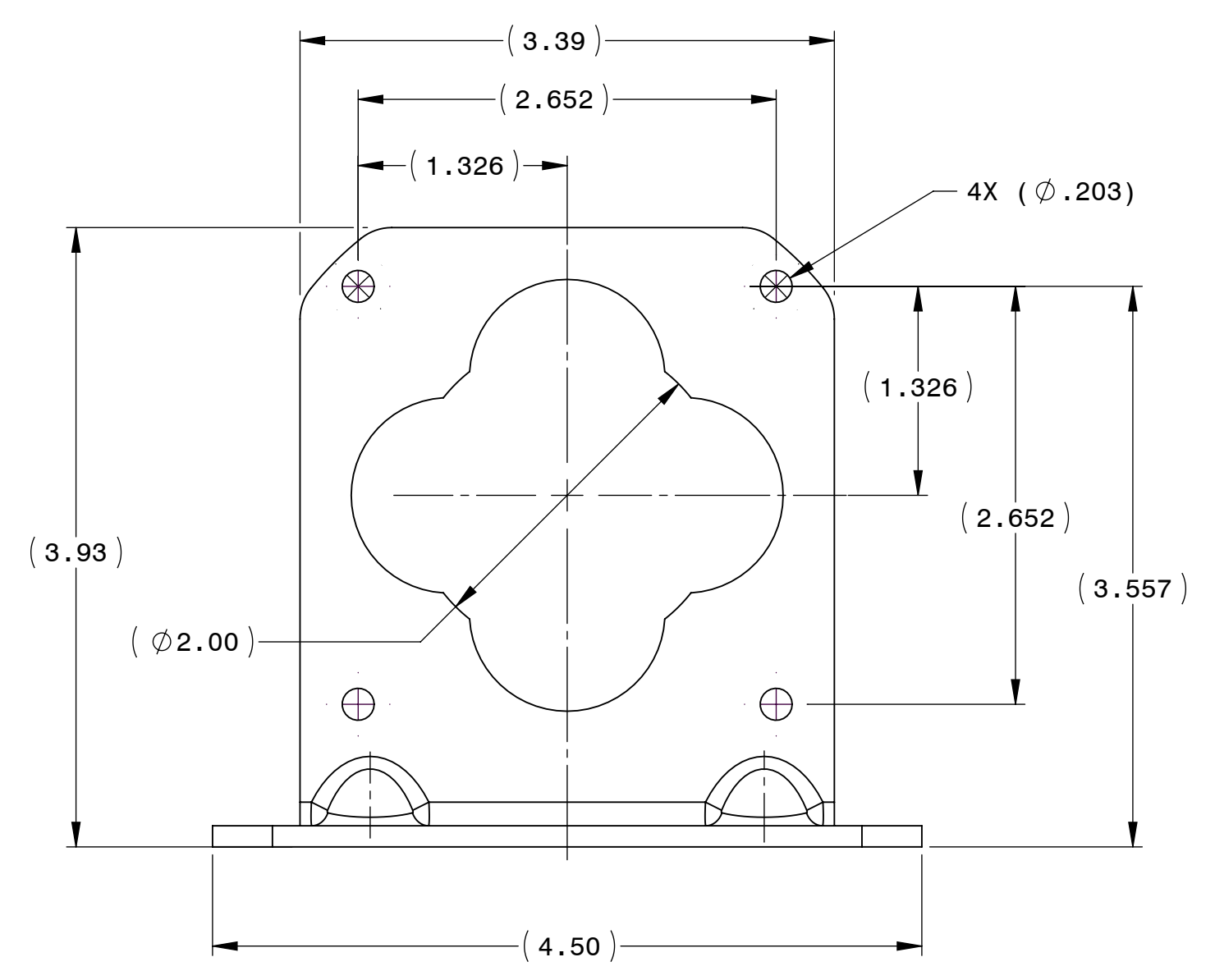
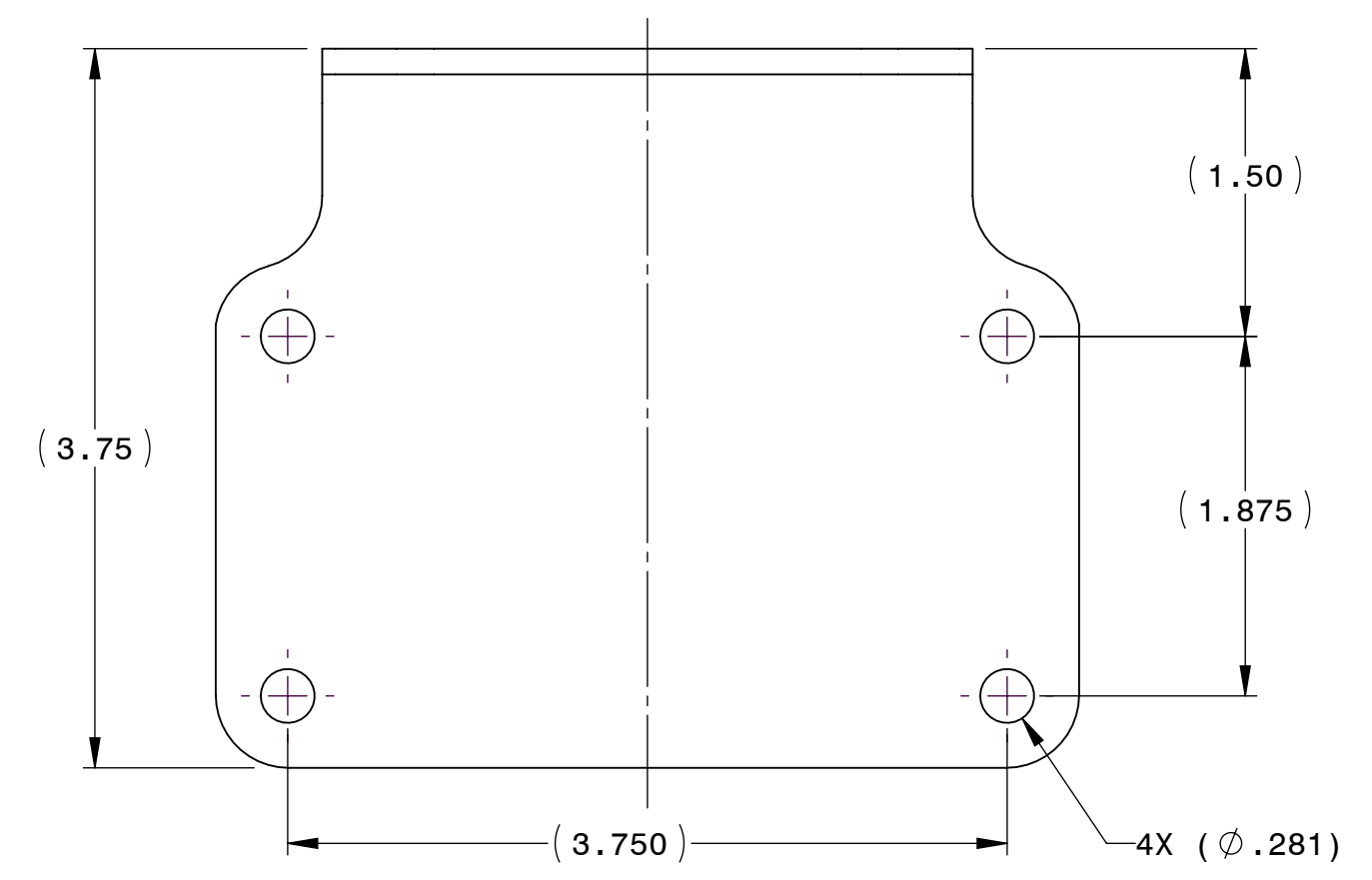


DESCRIPTION:  
KIT BRACKET Z GEARHOUSING

SHEET: 1/1  
SCALE: 1:2  
UNLESS OTHERWISE SPECIFIED:  
UNITS ARE IN INCHES [mm]  
**C**

- NOTES:
1. MATERIAL: .134 THICK STEEL
  2. 4X 10-32 SCREWS SUPPLIED WITH BRACKET
  3. 4X LOCKWASHER FOR #10 SCREWS



REPRESENTATIVE OF MODEL NUMBER(S):  
0980

