

4

3

2

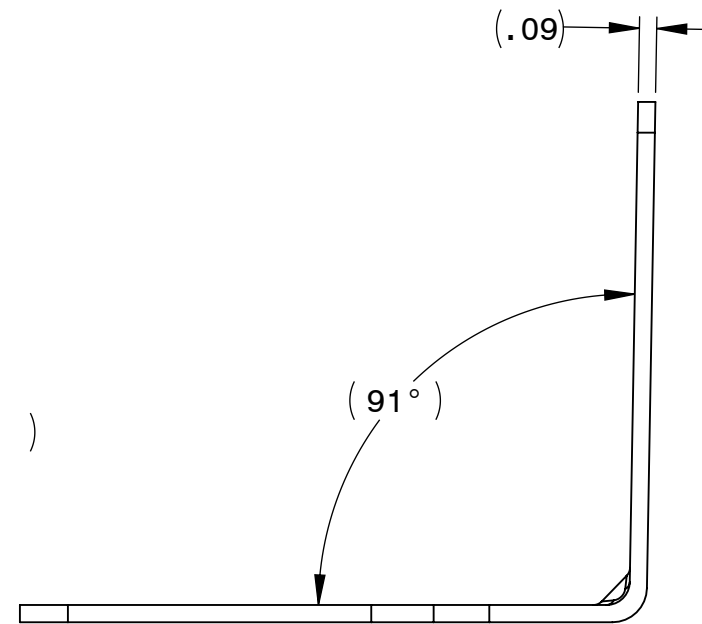
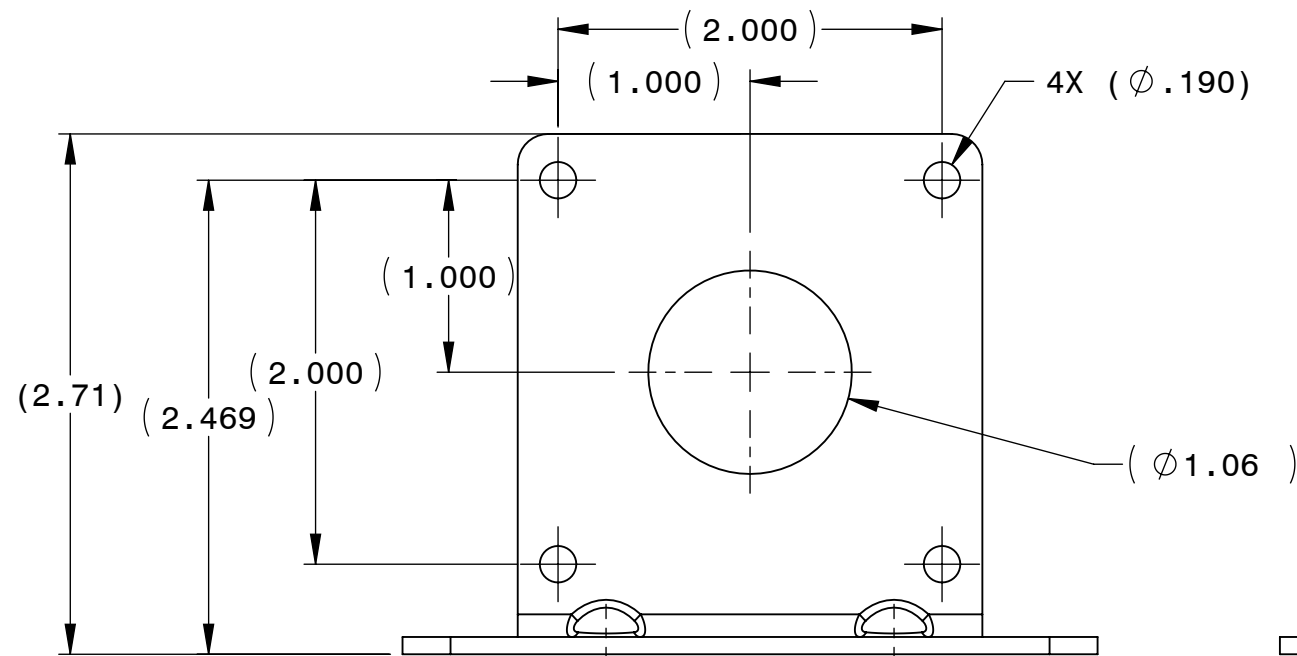
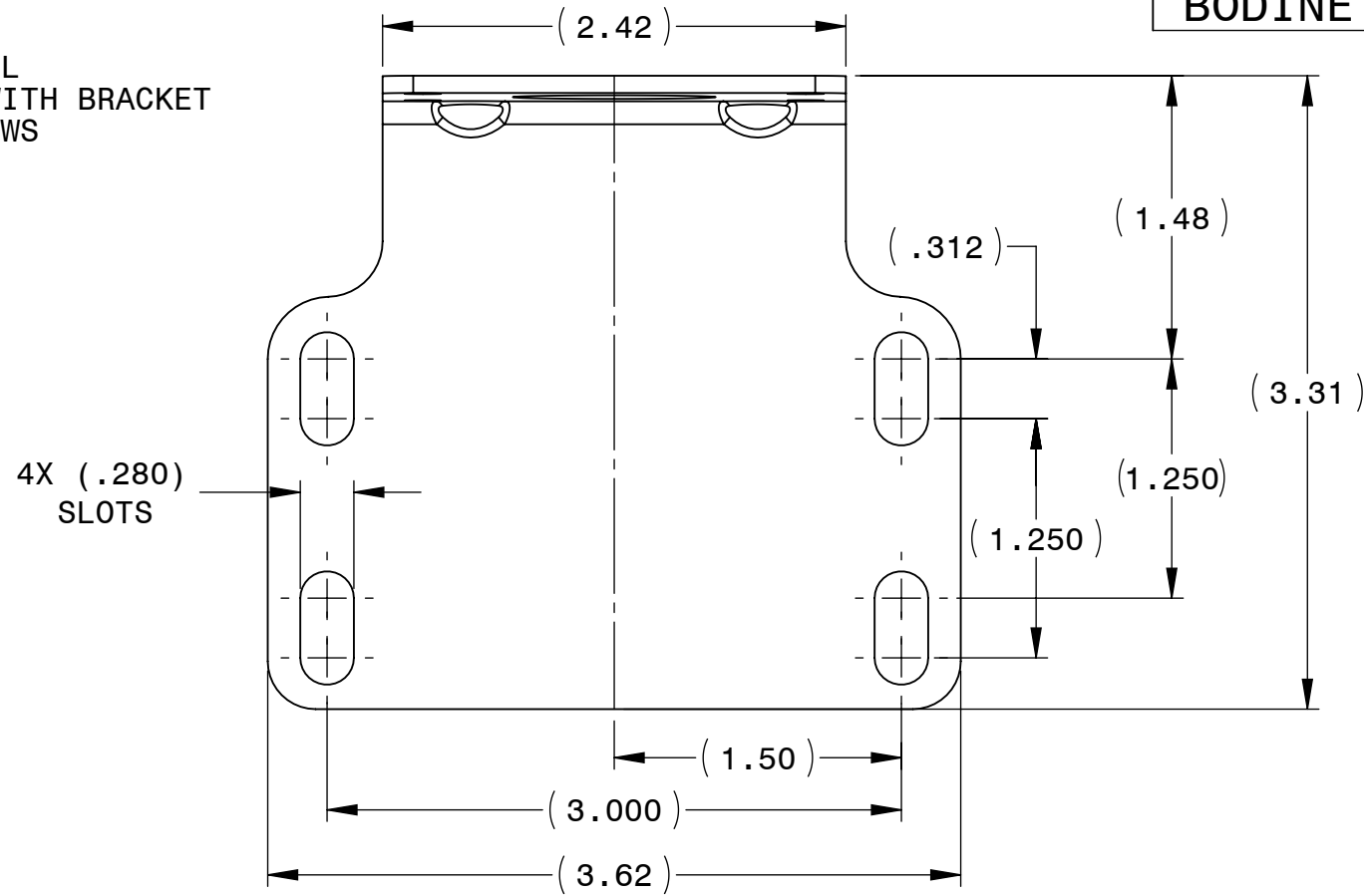
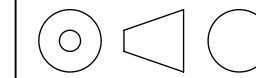
1

BODINE ELECTRIC COMPANY

PART NO./REV: INFM0054 B	
DESCRIPTION: KIT BRACKET 24A	
SHEET: 1/1	UNLESS OTHERWISE SPECIFIED: UNITS ARE IN INCHES [mm]
SCALE: 1:1	
B	

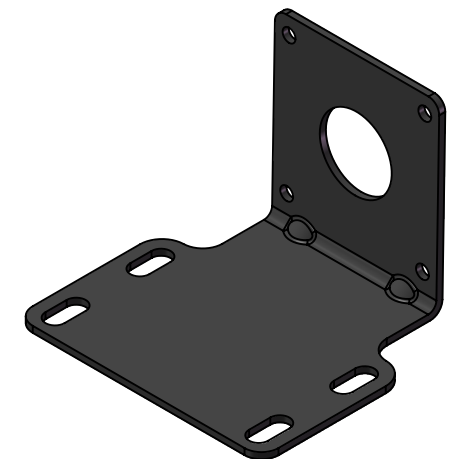
NOTES:

1. MATERIAL: .090 THICK STEEL
2. 4X 8-32 SCREWS SUPPLIED WITH BRACKET
3. 4X LOCKWASHER FOR #8 SCREWS
4. 4X 8-32 X .125 HEX NUTS



REPRESENTATIVE OF MODEL NUMBER(S) :

0990



4

3

2

1