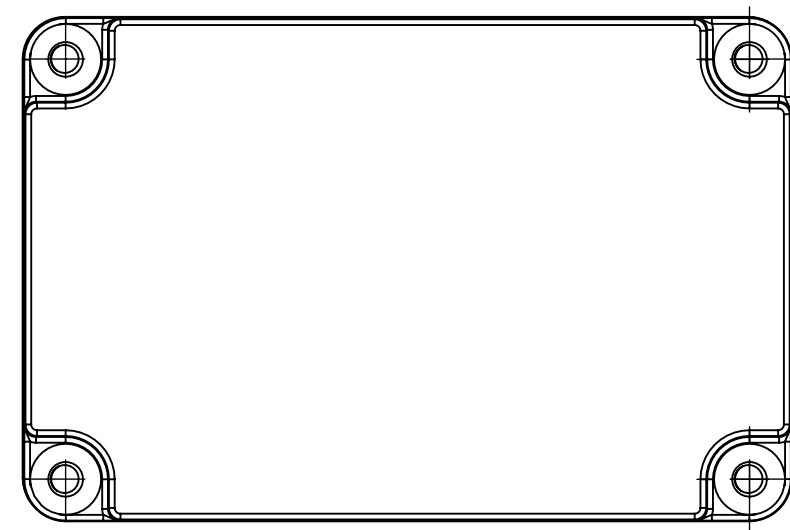
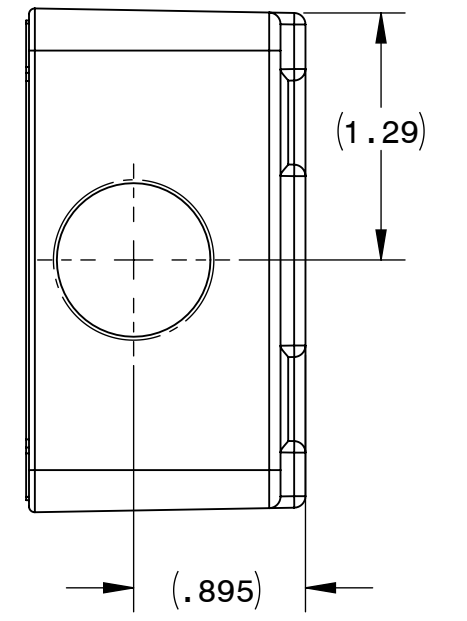
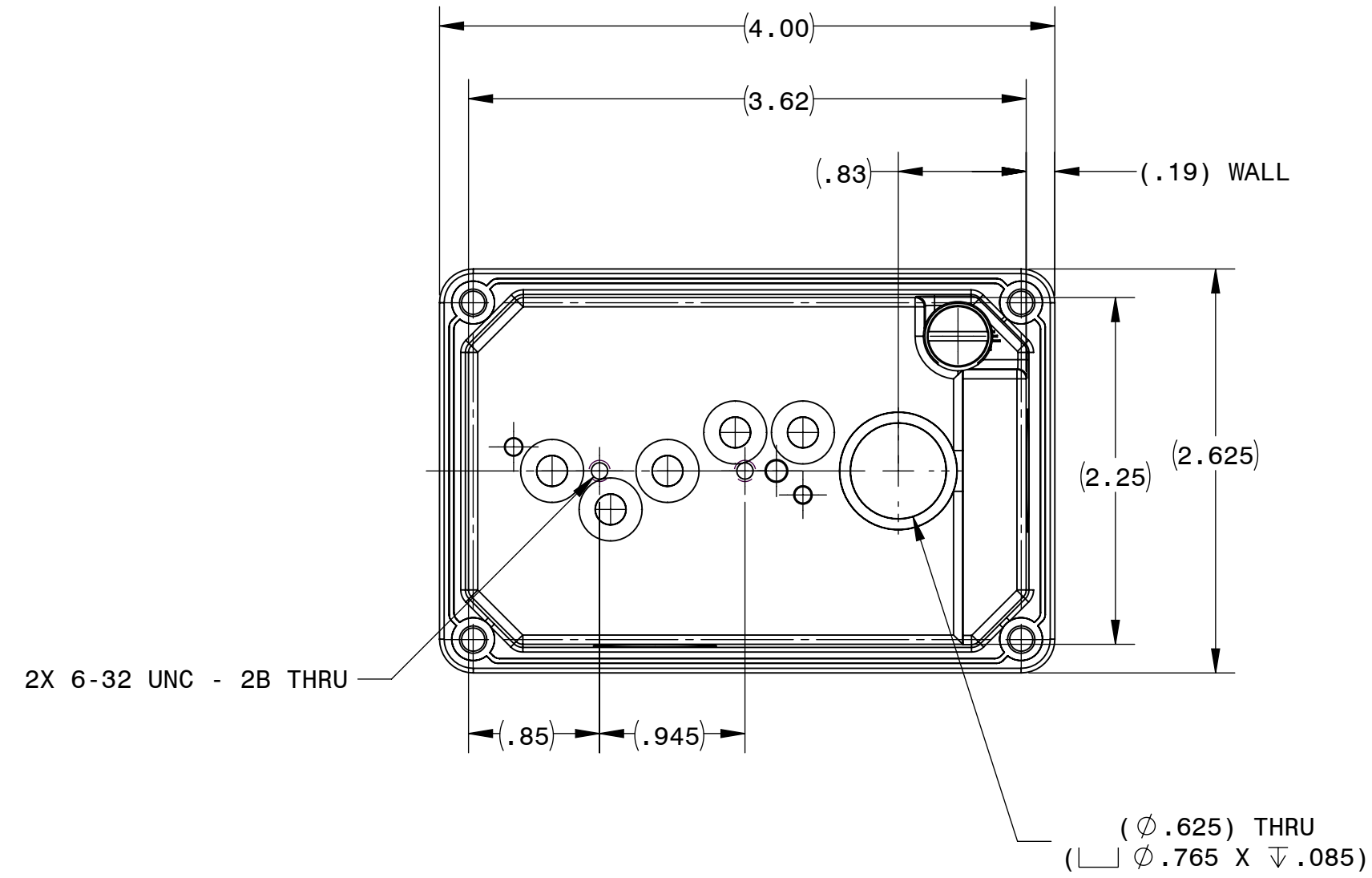
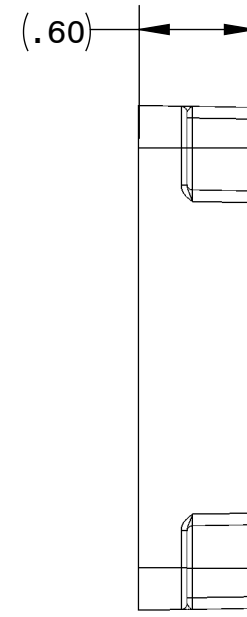
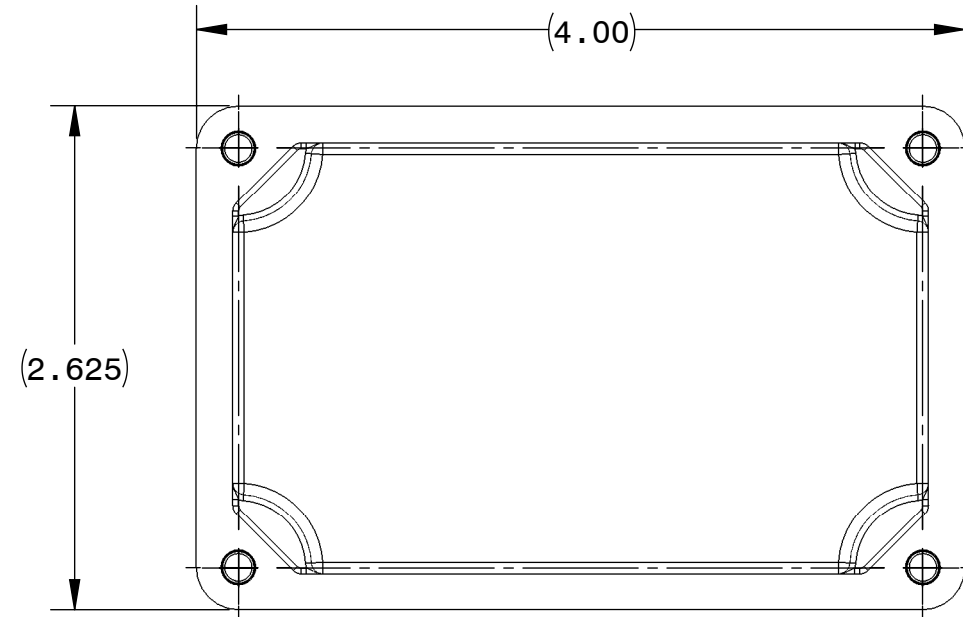


DESCRIPTION:
KIT TERMINAL BOX METRIC

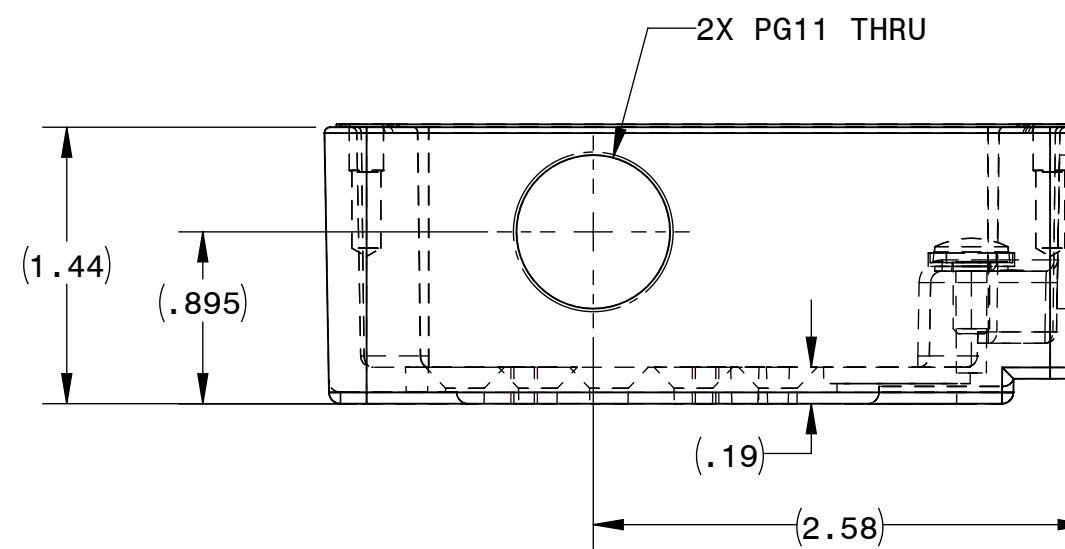
SHEET: 1/1
SCALE: 1:1
UNLESS OTHERWISE SPECIFIED:
UNITS ARE IN INCHES [mm]
C

NOTES:

1. MATERIAL: ALUMINUM
2. ITEMS SUPPLIED WITH TERMINAL BOX AND COVER
GASKET CORK FOR TERMINAL BOX AND COVER
GASKET RUBBER FOR TERMINAL BOX AND RING
4X 8-32 SCREWS & 4X #8 WASHERS [TORQUE 14-18 LB-IN]
10-32 SCREW & #10 WASHER FOR GROUND LEAD
2X 6-32 SCREWS FOR CIRCUIT TERMINAL BLOCK
2X 10-32 SCREWS FOR TERMINAL BOX AND SHIELD
BUSHING SNAP
CIRCUIT TERMINAL BLOCK
PG11 THREAD PLUG



COVER



BOX

REPRESENTATIVE OF MODEL NUMBER(S):

1984

