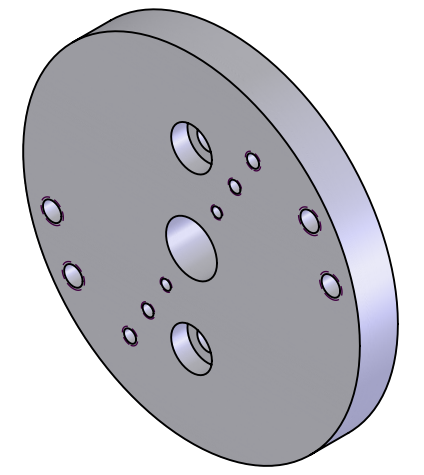
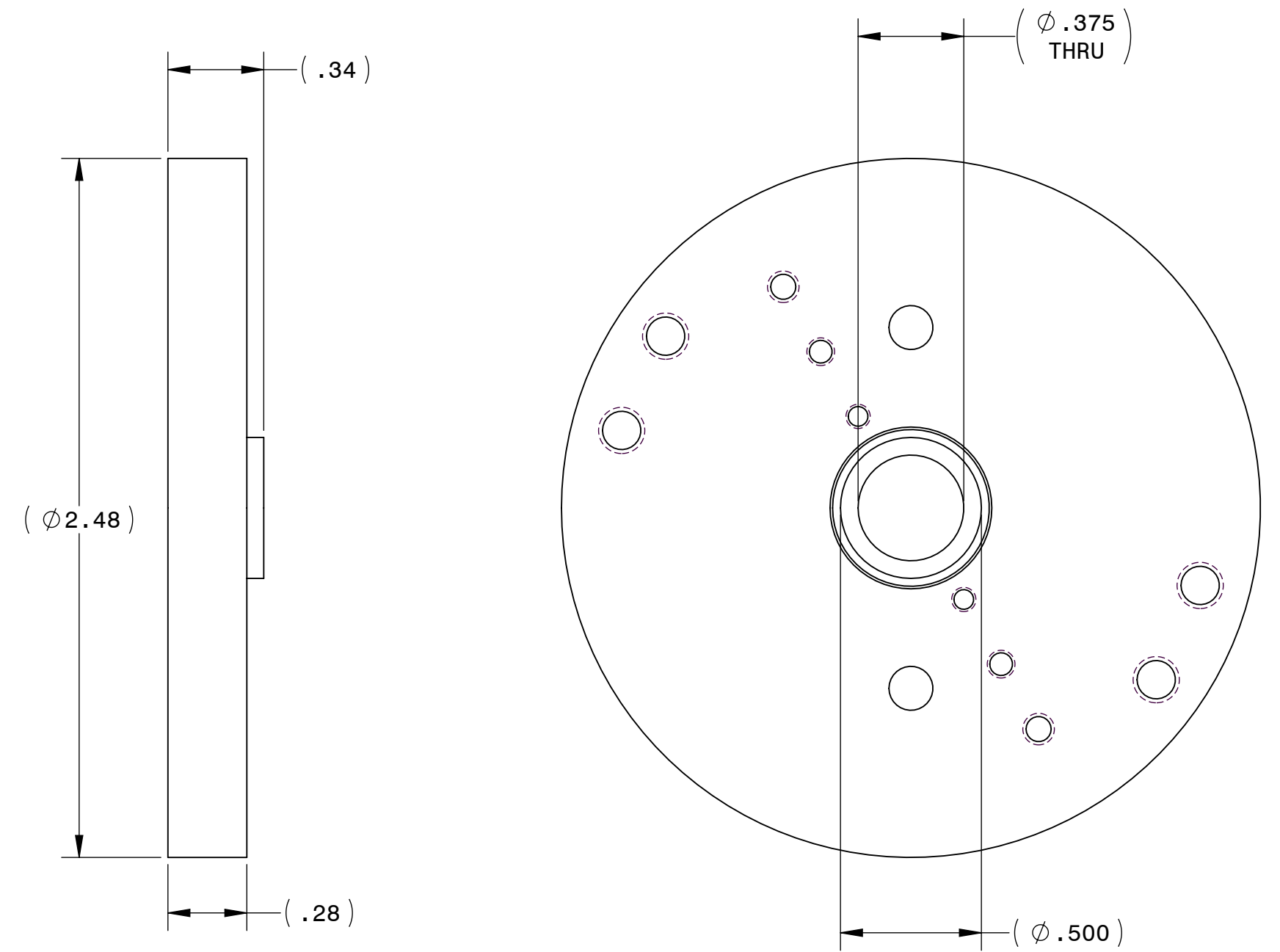
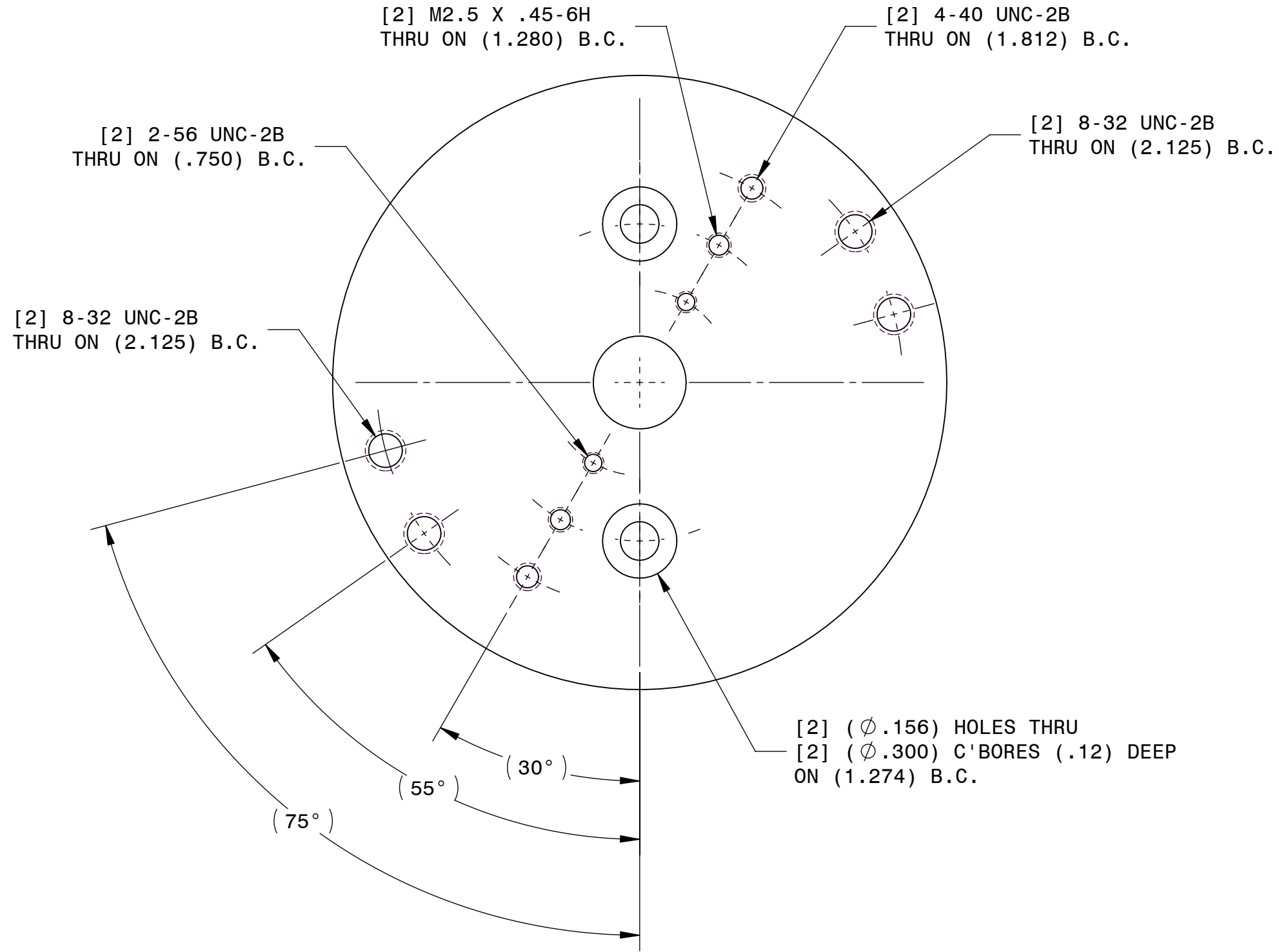


DESCRIPTION: ADAPTER 22B/34B	
SHEET: 1/1	UNLESS OTHERWISE SPECIFIED:
SCALE: 2:1	UNITS ARE IN INCHES [mm]
C	TOLERANCES: .XX:±.01 .XXX:±.005
	ANGLES: X°:±3° X.X°:±0.5°

- NOTES:
 1. MATERIAL: ALUMINUM 2024-T351
 2. [2] 6-32 SCREWS SUPPLIED WITH ADAPTER



REPRESENTATIVE OF MODEL NUMBER(S):
 0993