

4

3

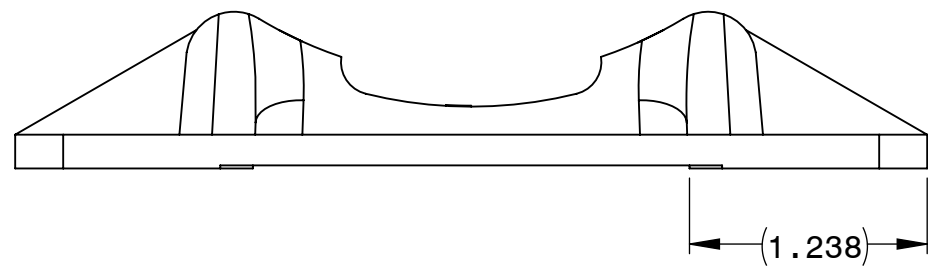
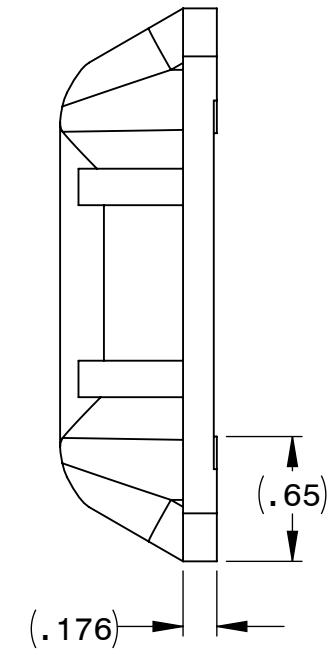
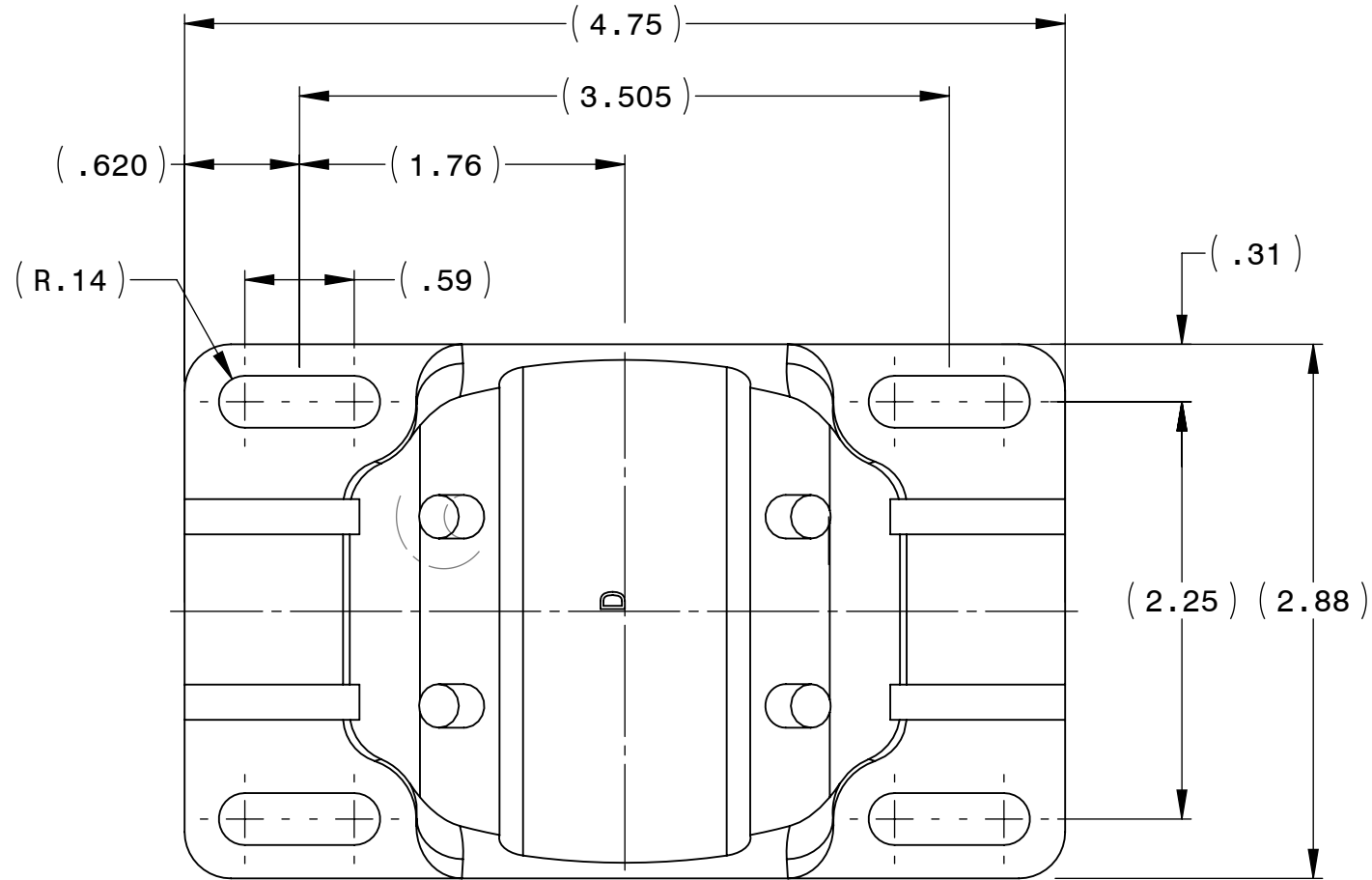
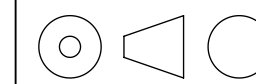
2

1

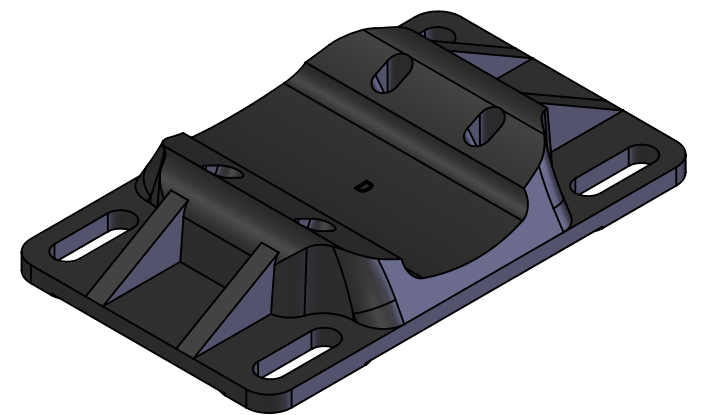
BODINE ELECTRIC COMPANY

PART NO./REV: INFM0064 B	
DESCRIPTION: KIT BASE 42A	
SHEET: 1/1	UNLESS OTHERWISE SPECIFIED: UNITS ARE IN INCHES [mm]
SCALE: 1:1	
B	

- NOTES:
 1. MATERIAL: ALUMINUM
 2. 4X 10-32 SCREWS SUPPLIED WITH BASE



REPRESENTATIVE OF MODEL NUMBER(S):
 0991



4

3

2

1