

4

3

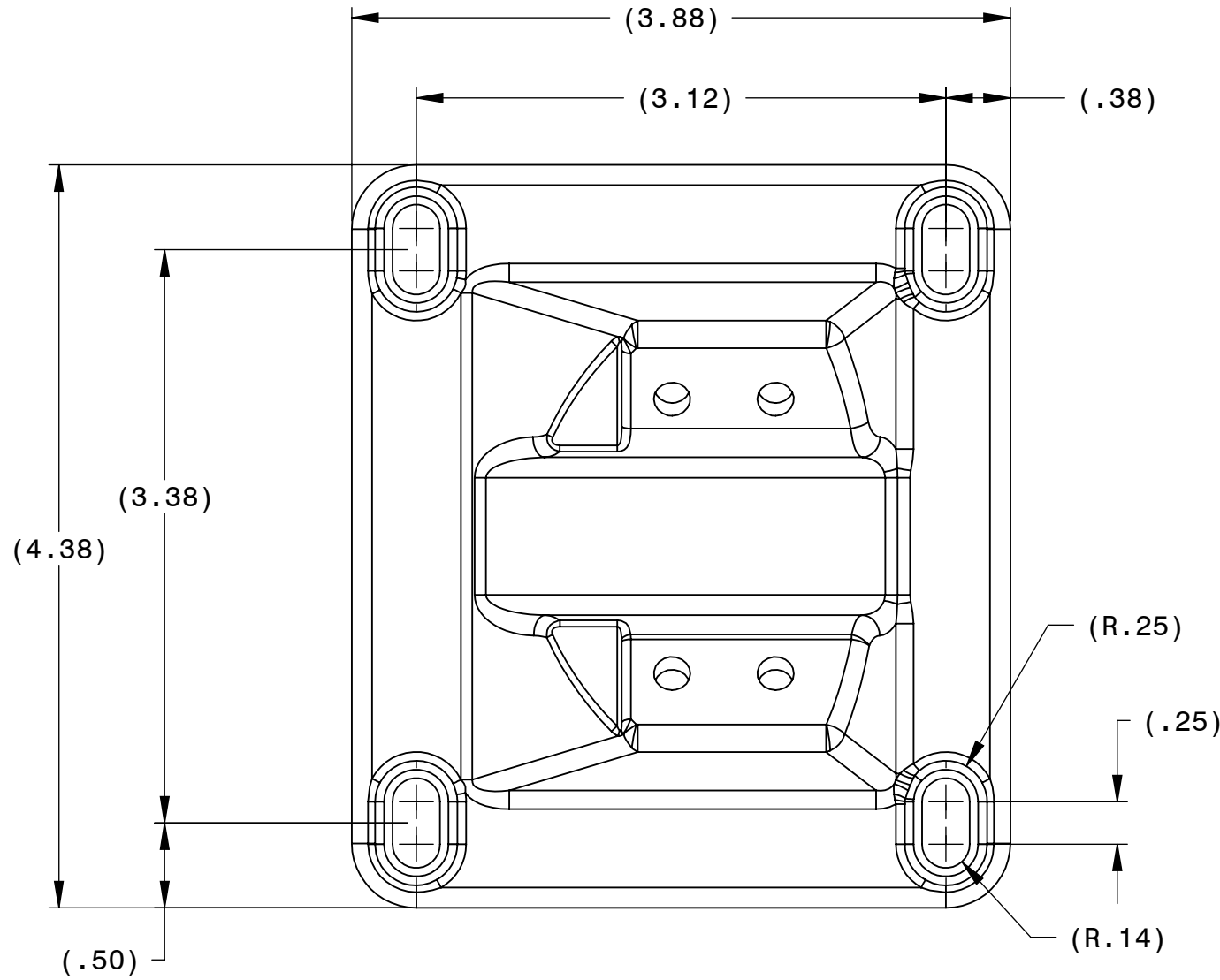
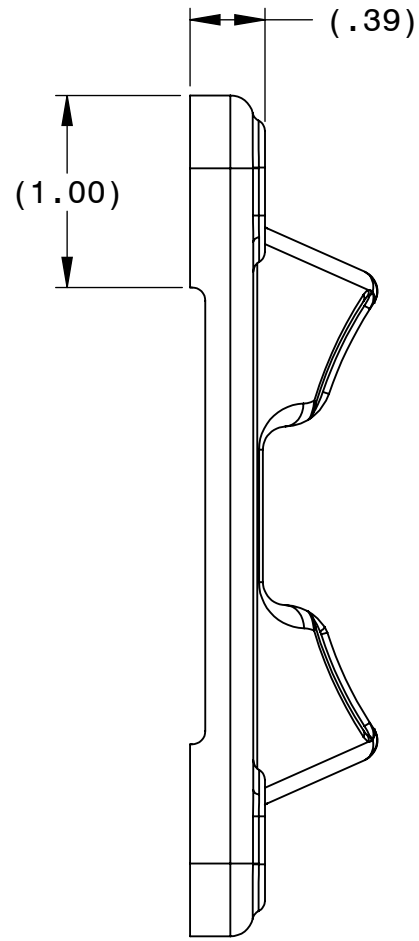
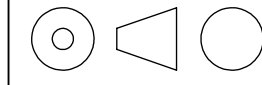
2

1

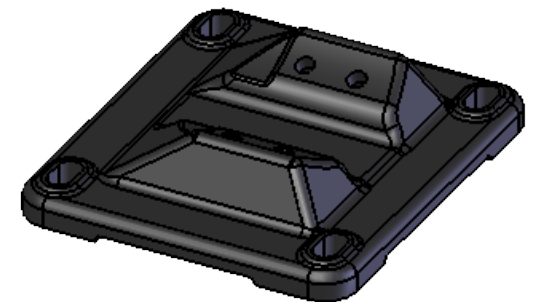
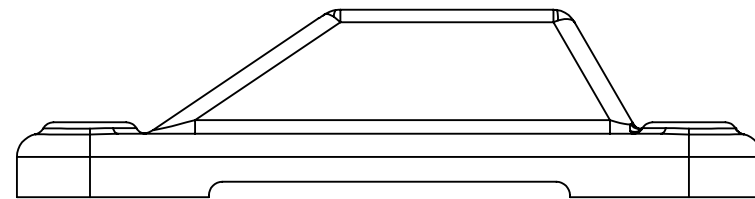
- NOTES:  
 1. MATERIAL: ALUMINUM  
 2. [4]10-32 SCREWS SUPPLIED WITH BASE  
 3. TIGHTEN SCREWS TO 55-65 LB-IN  
 4. MOTOR CENTERLINE HEIGHT TO BASE: (2.61)

BODINE ELECTRIC COMPANY

PART NO./REV: INFM0067 B	
DESCRIPTION: BASE 34R-3F/3R	
SHEET: 1/1	UNLESS OTHERWISE SPECIFIED:
SCALE: 1:1	UNITS ARE IN INCHES [mm]
<b>B</b>	TOLERANCES: .XX:±.01 .XXX:±.005
	ANGLES: X°:±3° X.X°:±0.5°



REPRESENTATIVE OF MODEL NUMBER(S):  
 0996



4

3

2

1