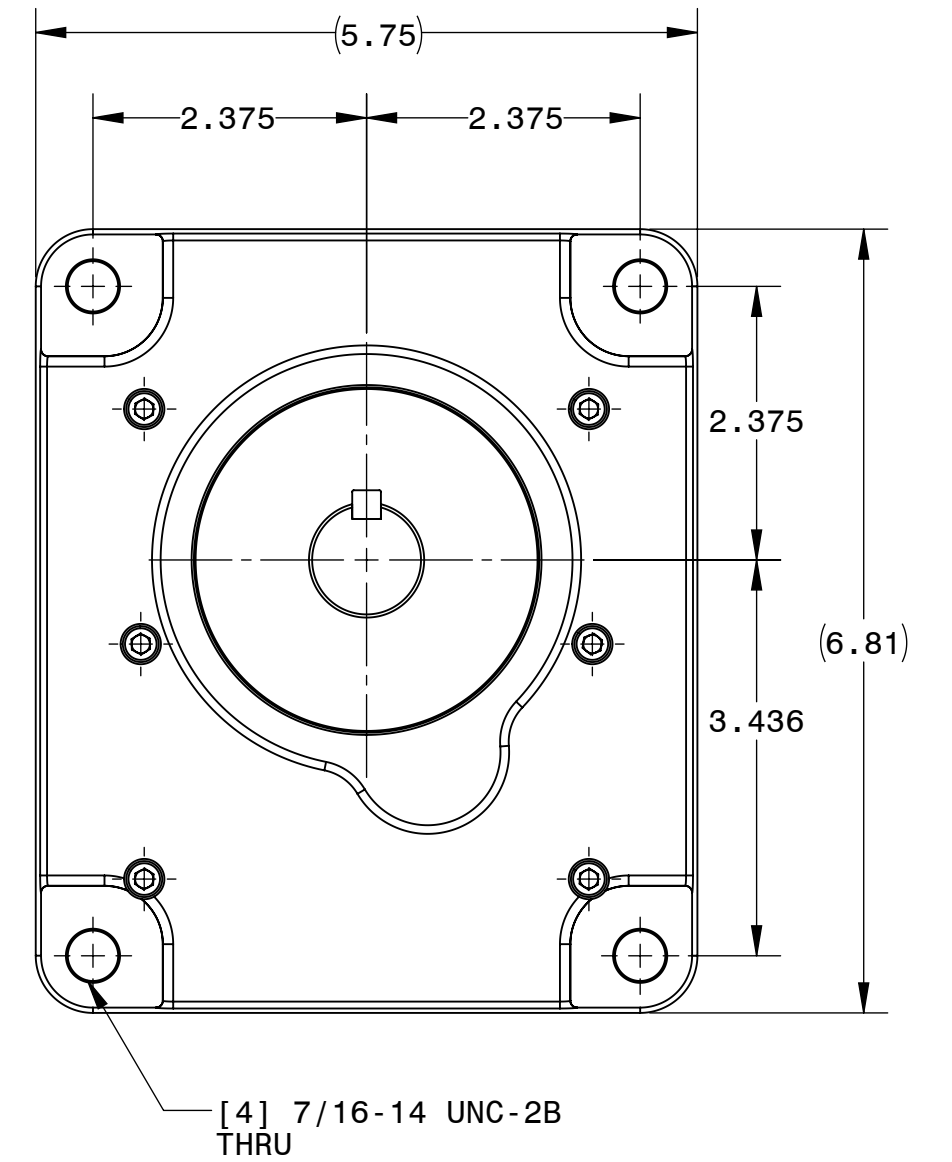
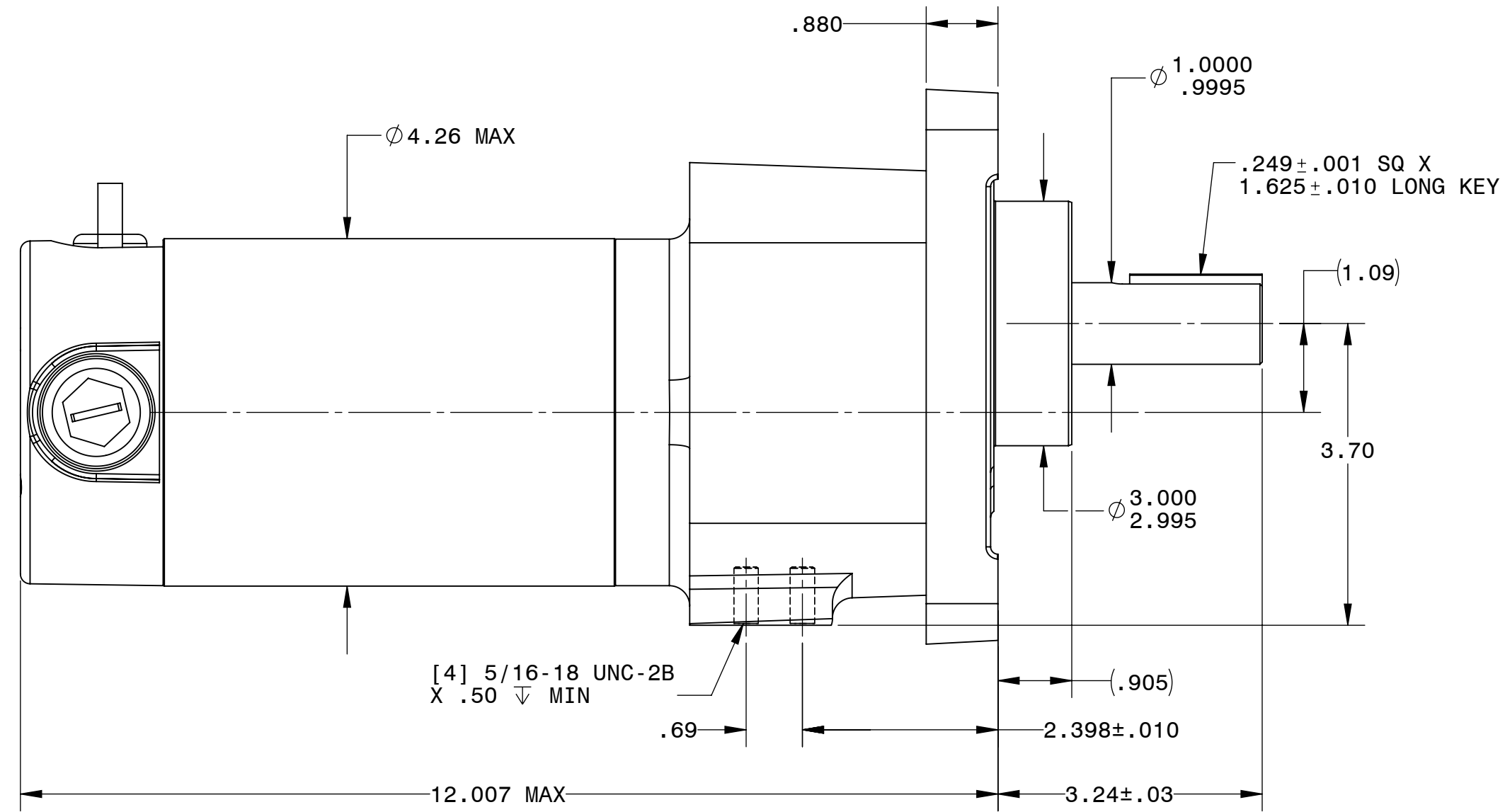
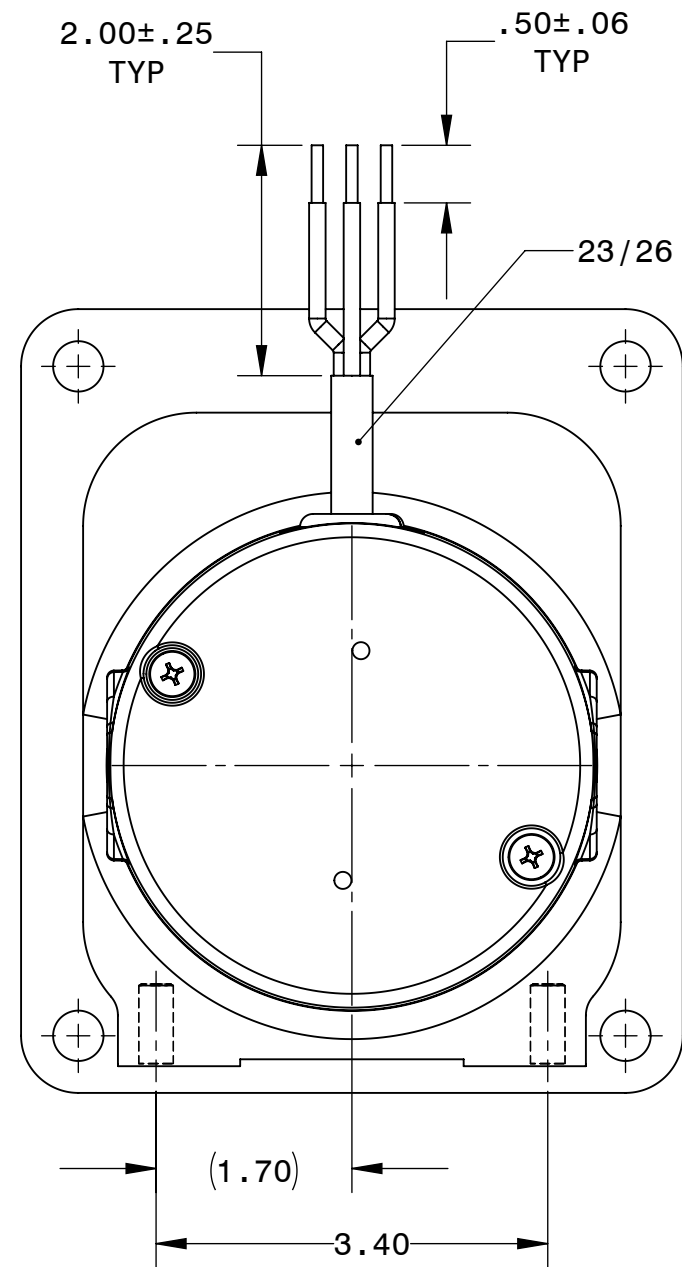


DESCRIPTION:  
GEARMOTOR 42A7BEPM-CG

SHEET: 1/1  
SCALE: 3:4  
C

UNLESS OTHERWISE SPECIFIED:  
UNITS ARE IN INCHES [mm]  
TOLERANCES: .XX:±.01 .XXX:±.005  
ANGLES: X°:±3° X.X°:±0.5°



REPRESENTATIVE OF MODEL NUMBER(S):

4482 4483 4484 4485 4486

