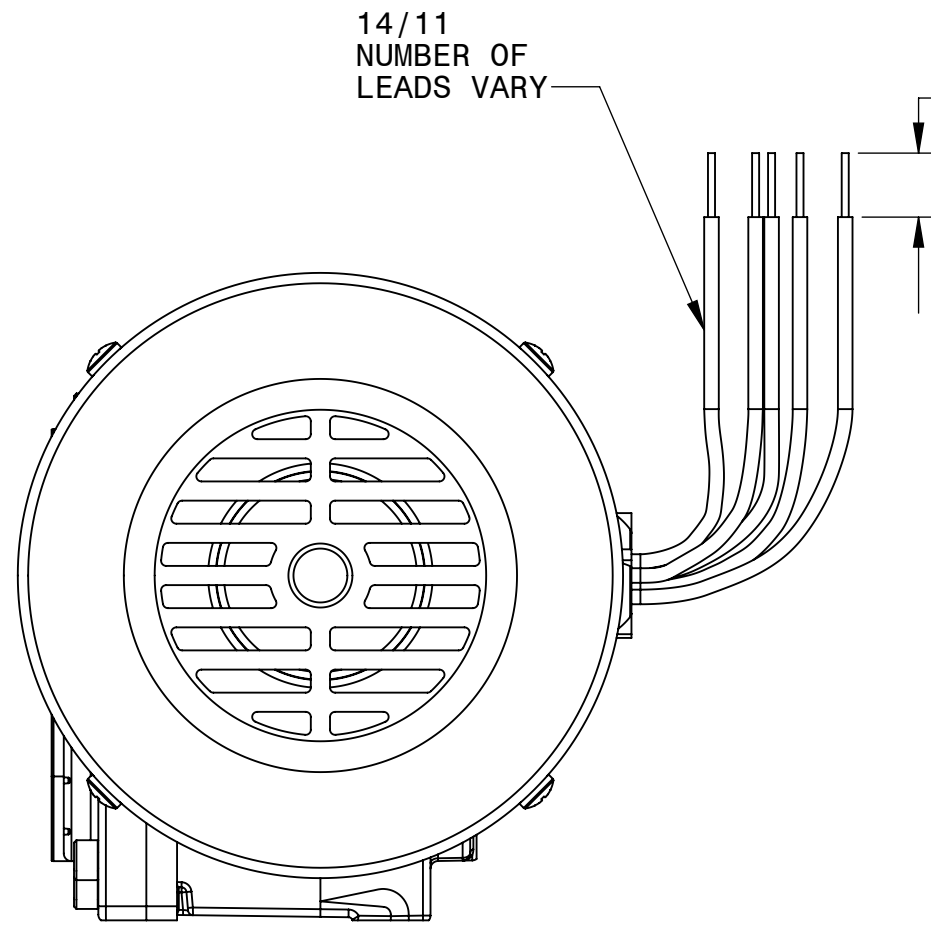
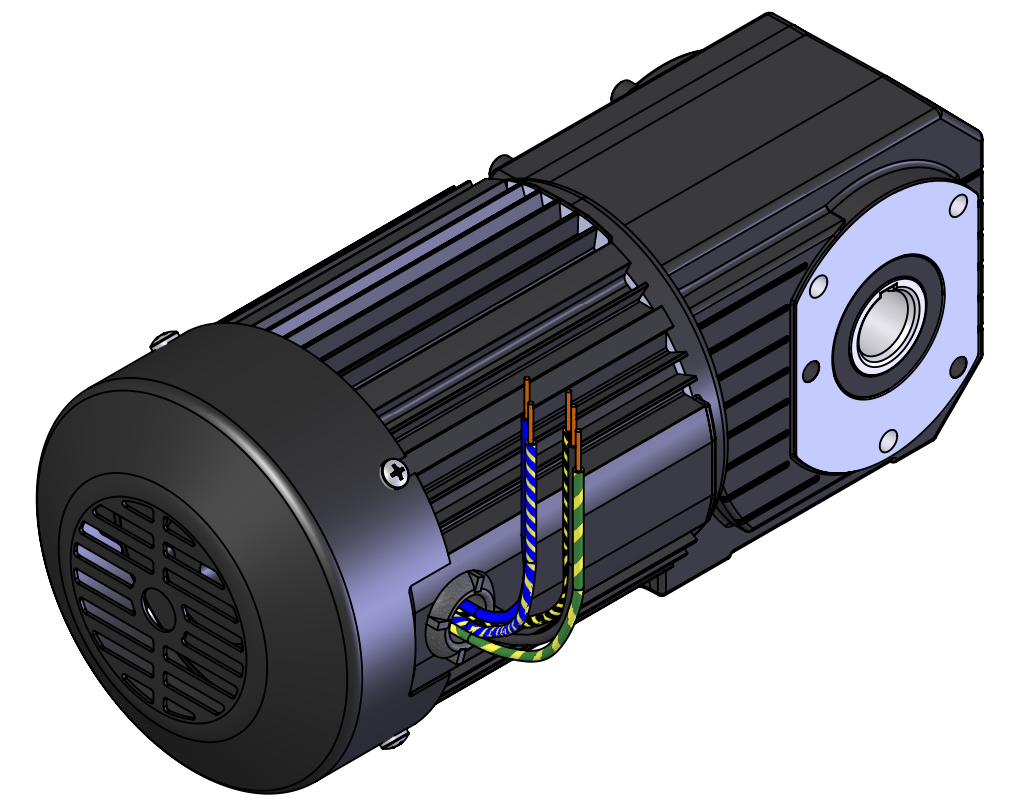
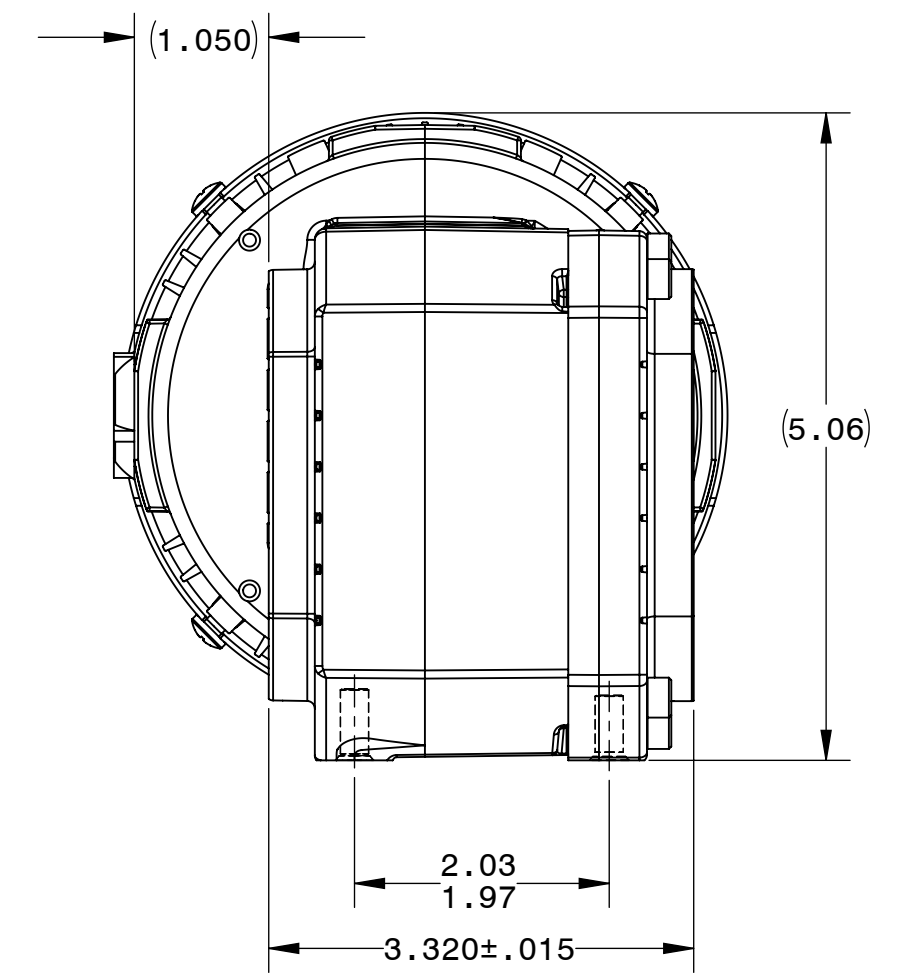
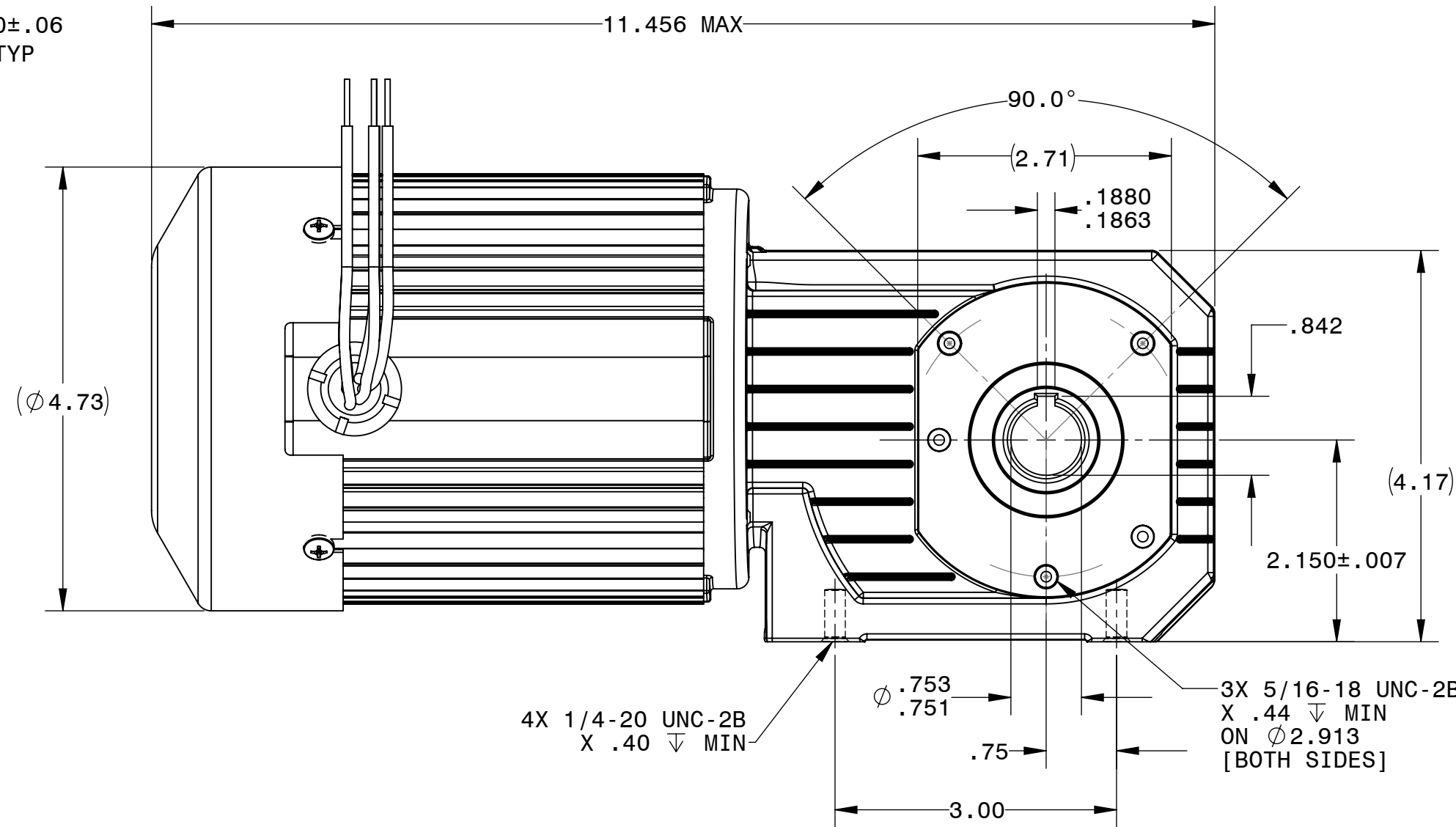




DESCRIPTION: GEARMOTOR 42R5BFCI-GB/H	
SHEET: 1/1	UNLESS OTHERWISE SPECIFIED:
SCALE: 2:3	UNITS ARE IN INCHES [mm]
C	TOLERANCES: .XX:±.01 .XXX:±.005
	ANGLES: X°:±3° X.X°:±0.5°



.50±.06
TYP



REPRESENTATIVE OF MODEL NUMBER(S) :
8262 8264 8266