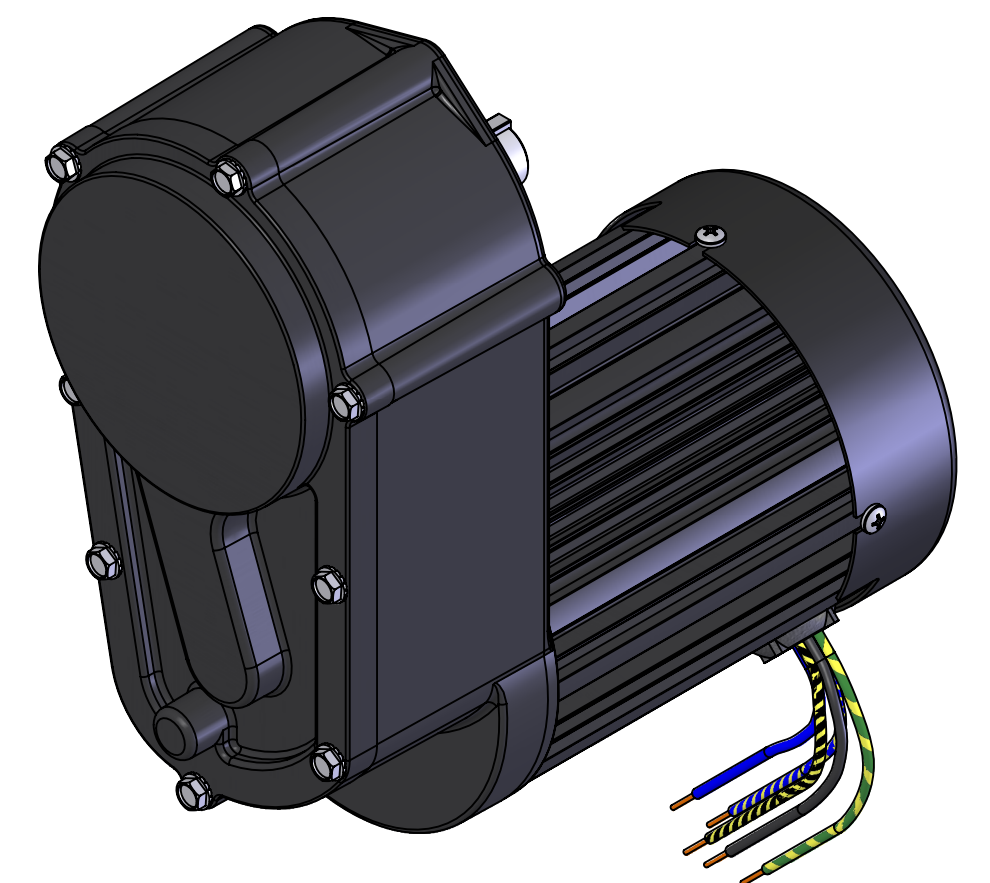
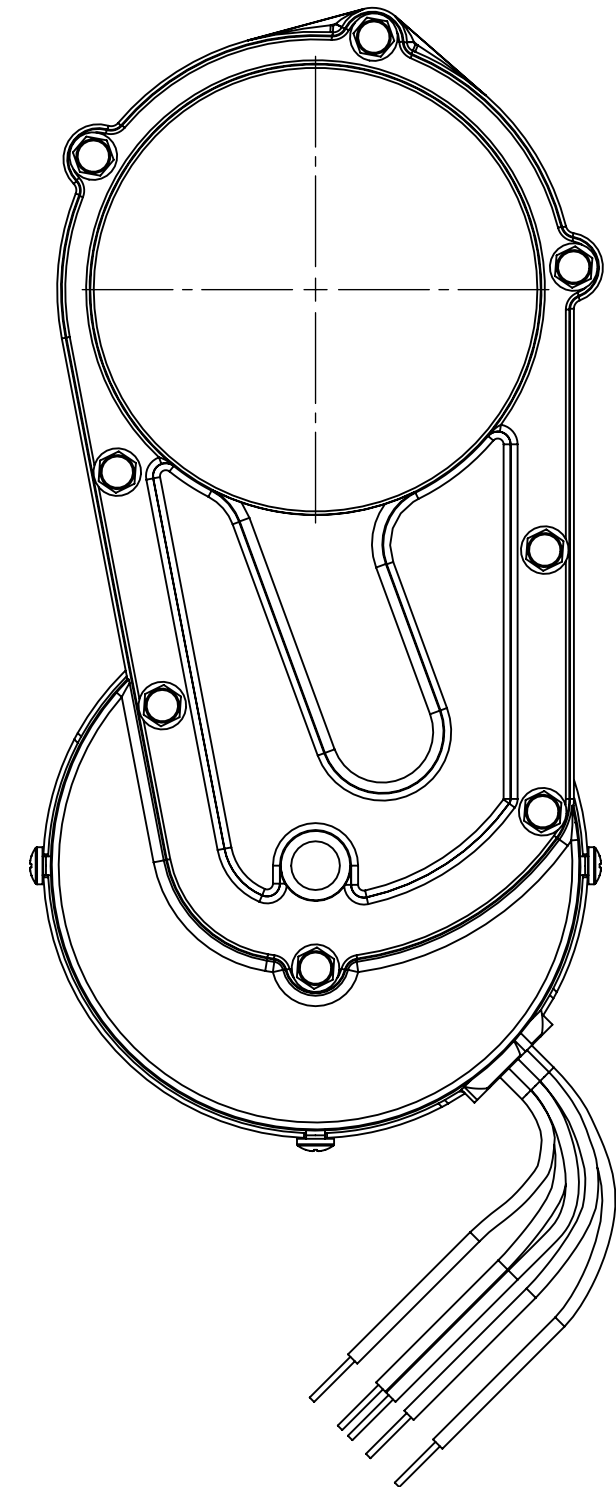
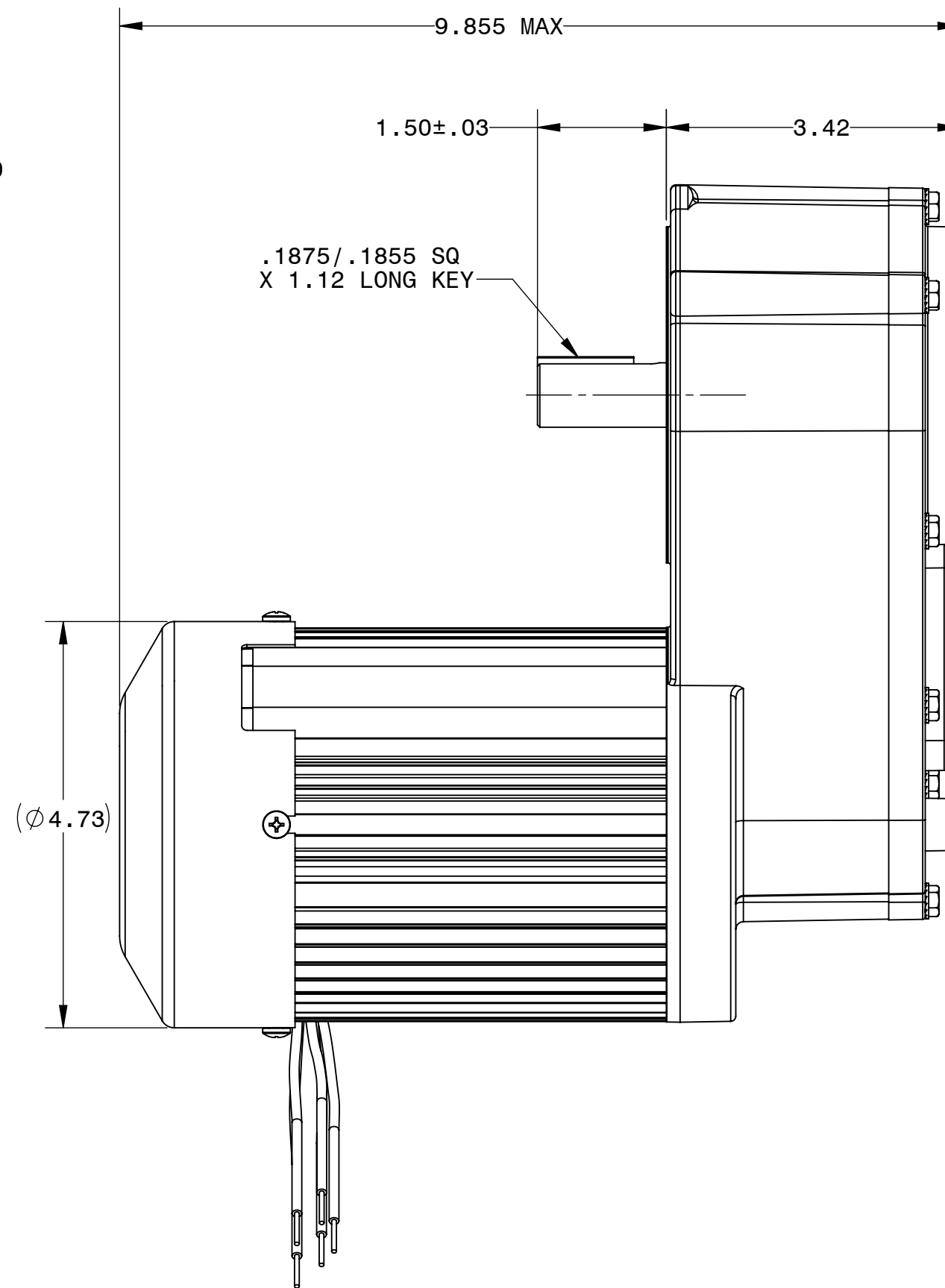
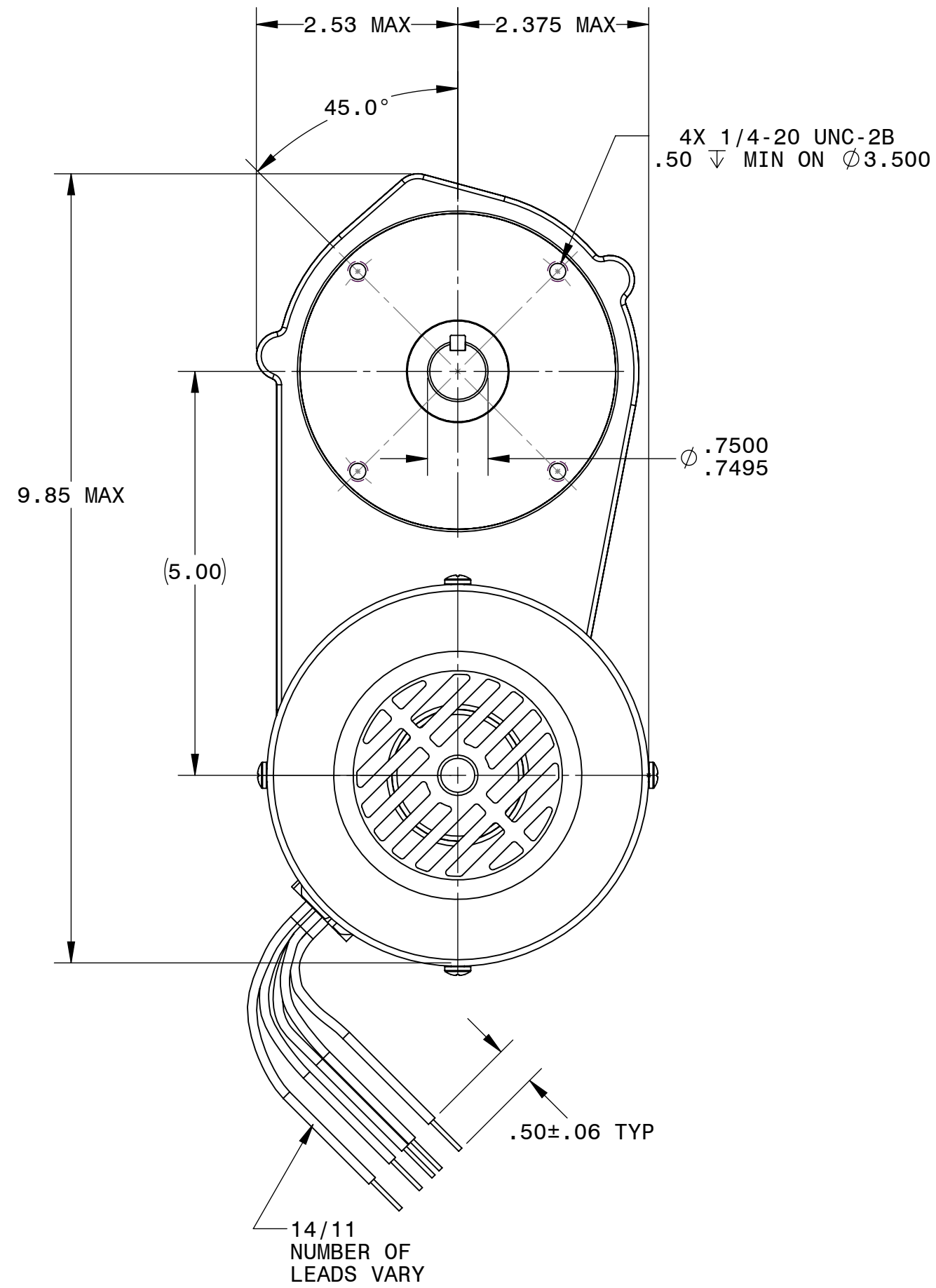


DESCRIPTION: GEARMOTOR 42R6BFPP/CI-HG	
SHEET: 1/1	UNLESS OTHERWISE SPECIFIED:
SCALE: 1:1	UNITS ARE IN INCHES [mm]
<b>C</b>	TOLERANCES: .XX:±.01 .XXX:±.005 ANGLES: X°:±3° X.X°:±0.5°



REPRESENTATIVE OF MODEL NUMBER(S):  
2245 2247 2248 2249 5255 5257 5258 5259