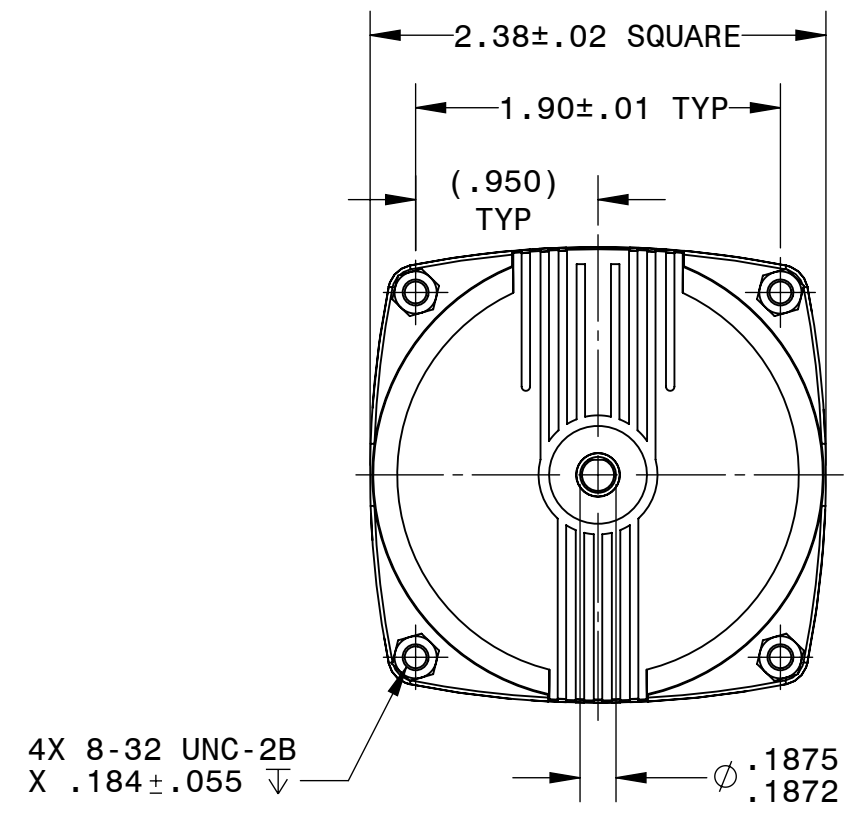
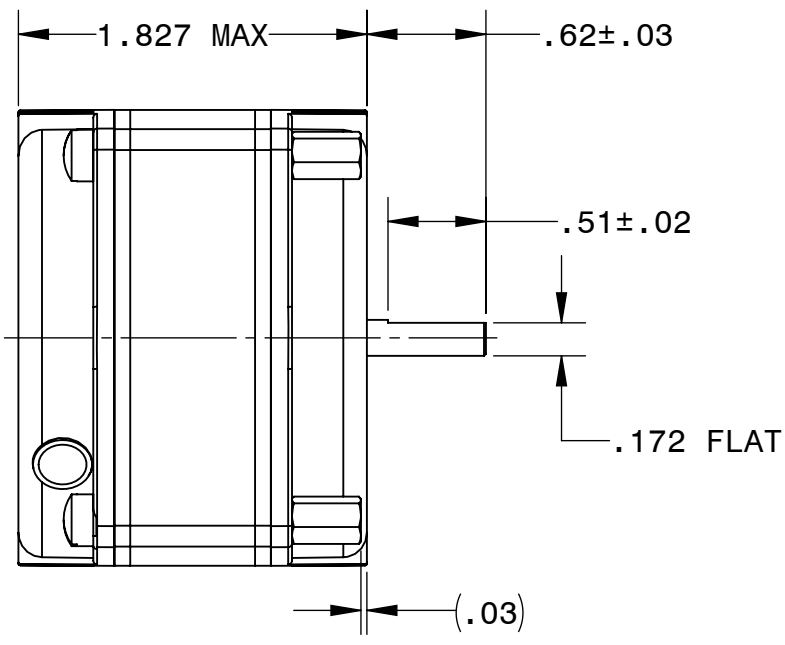
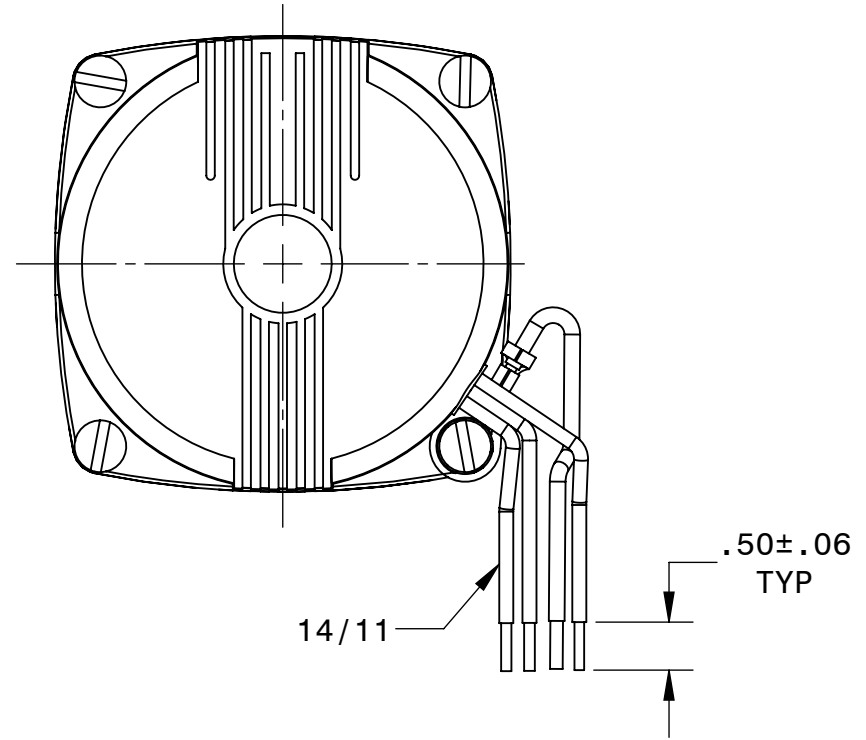


BODINE ELECTRIC COMPANY

PART NO./REV: INFM0079 C	
DESCRIPTION: MOTOR KYC/CI-23	
SHEET: 1/1	UNLESS OTHERWISE SPECIFIED: UNITS ARE IN INCHES [mm] TOLERANCES: .XX:±.01 .XXX:±.005 ANGLES: X°:±3° X.X°:±0.5°
SCALE: 1:1	
B	



REPRESENTATIVE OF MODEL NUMBER(S):
0701 0705 0707

