

4

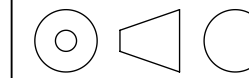
3

2

1

BODINE ELECTRIC COMPANY

PART NO./REV: INFM0081 D	
DESCRIPTION: MOTOR KCI-26	
SHEET: 1/1	UNLESS OTHERWISE SPECIFIED:
SCALE: 1:1	UNITS ARE IN INCHES [mm]
B	TOLERANCES: .XX:±.01 .XXX:±.005
	ANGLES: X°:±3° X.X°:±0.5°



D

C

B

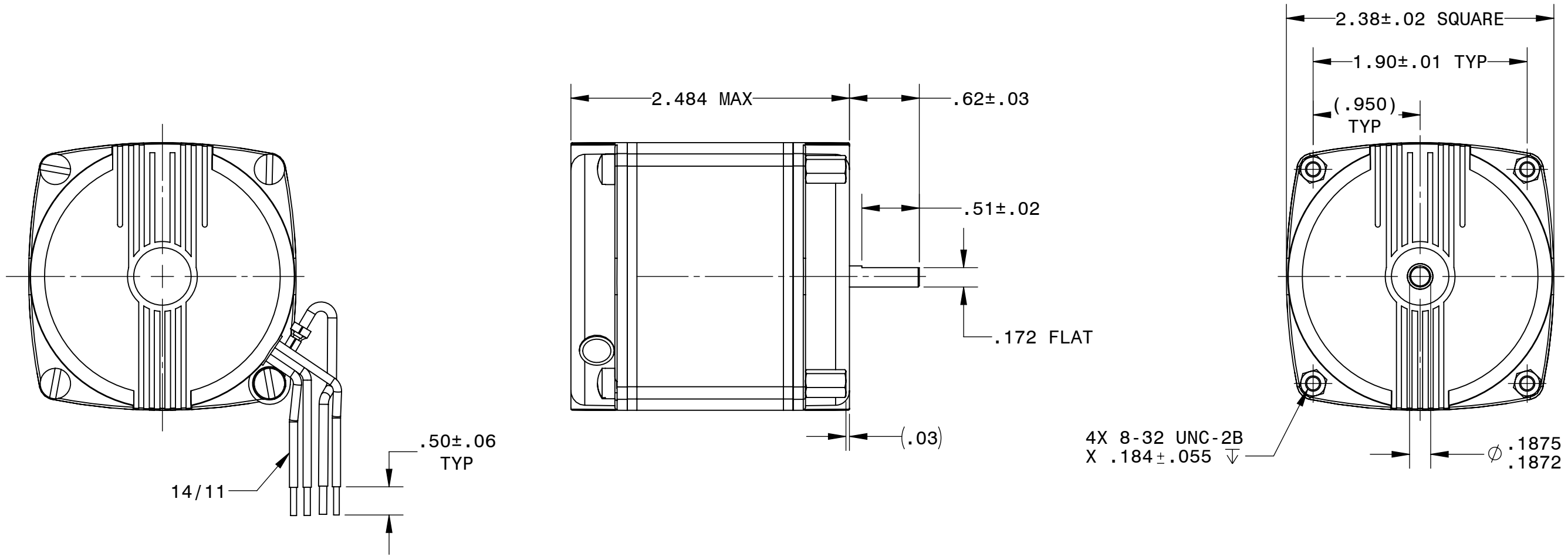
A

D

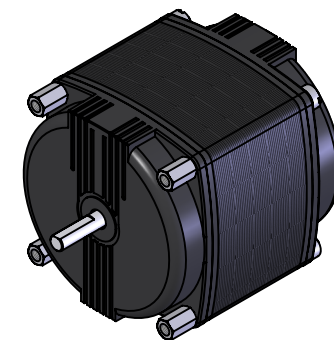
C

B

A



REPRESENTATIVE OF MODEL NUMBER(S):
0621 0713



4

3

2

1