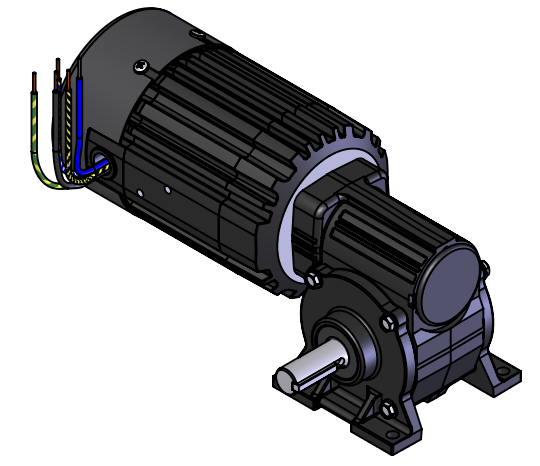
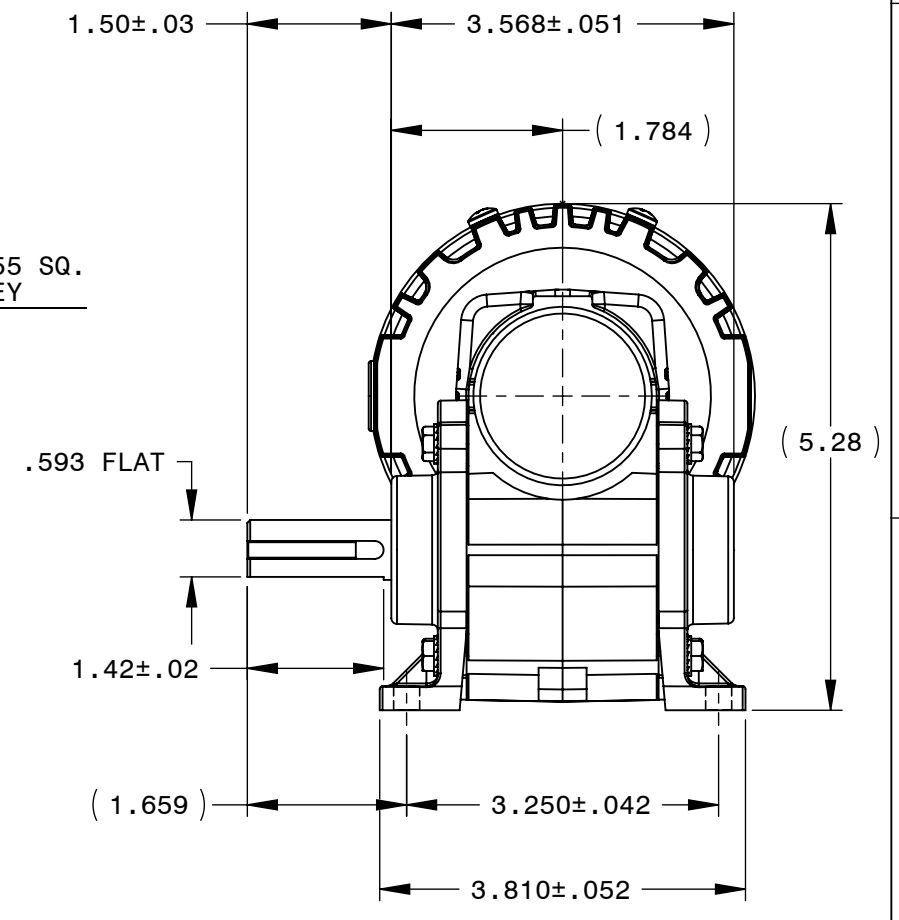
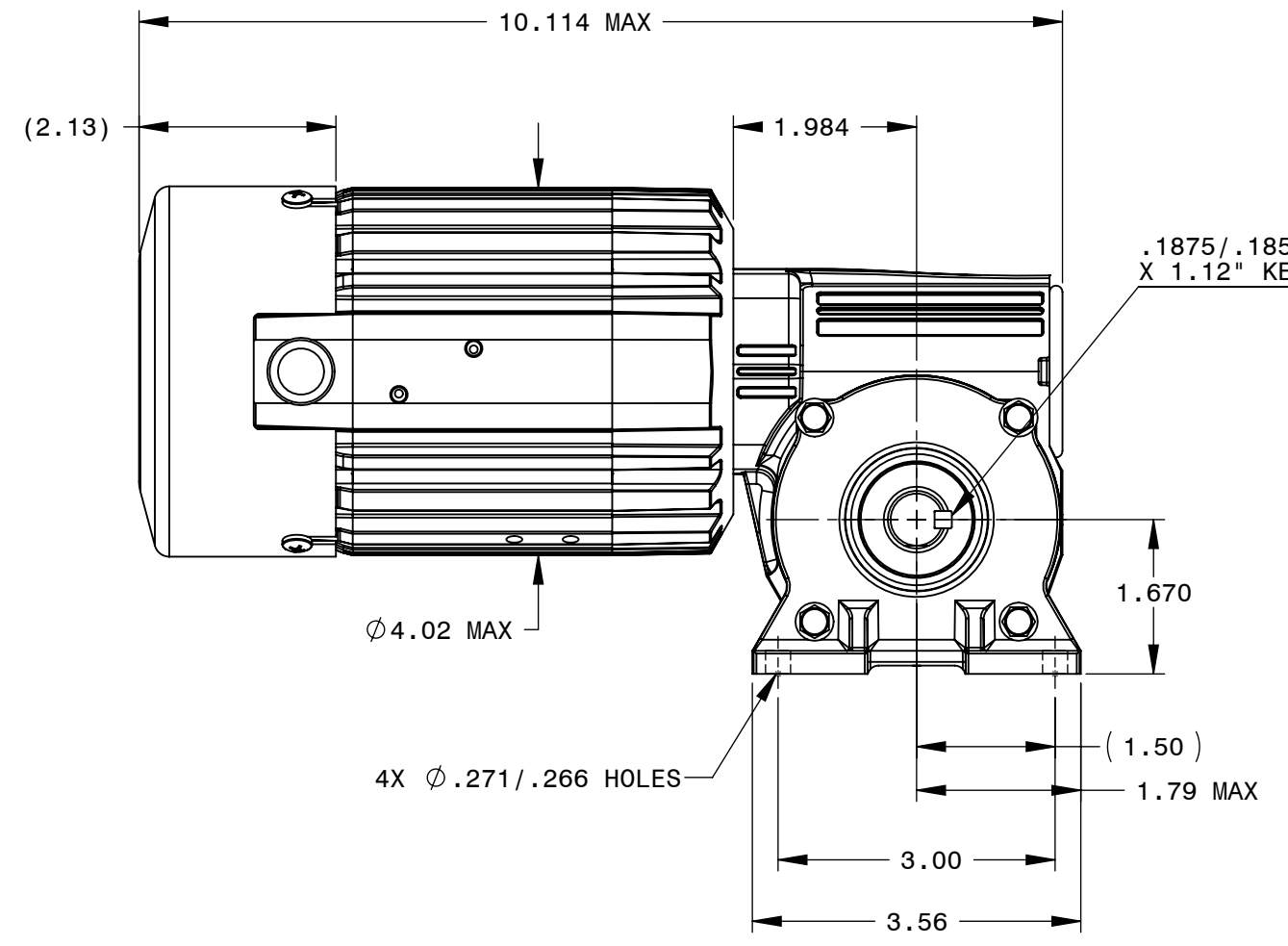
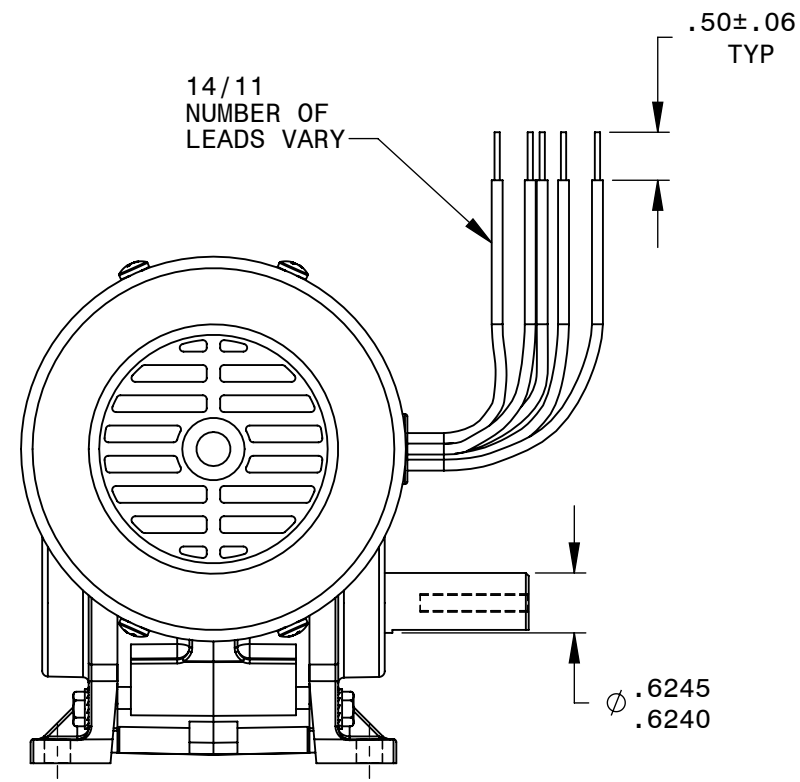
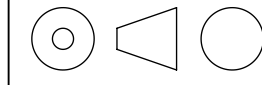


BODINE ELECTRIC COMPANY

PART NO./REV:	INFM0095	A
DESCRIPTION:	GEARMOTOR 34R6FE-5F	
SHEET:	1/1	UNLESS OTHERWISE SPECIFIED:
SCALE:	1:2	UNITS ARE IN INCHES [mm]
		TOLERANCES: .XX:±.01 .XXX:±.005
		ANGLES: X°:±3° X.X°:±0.5°



REPRESENTATIVE OF MODEL NUMBER(S):
0511 0513 0514 0518 0519 0521 0522 0523 0524

4

3

2

4

3

2

1