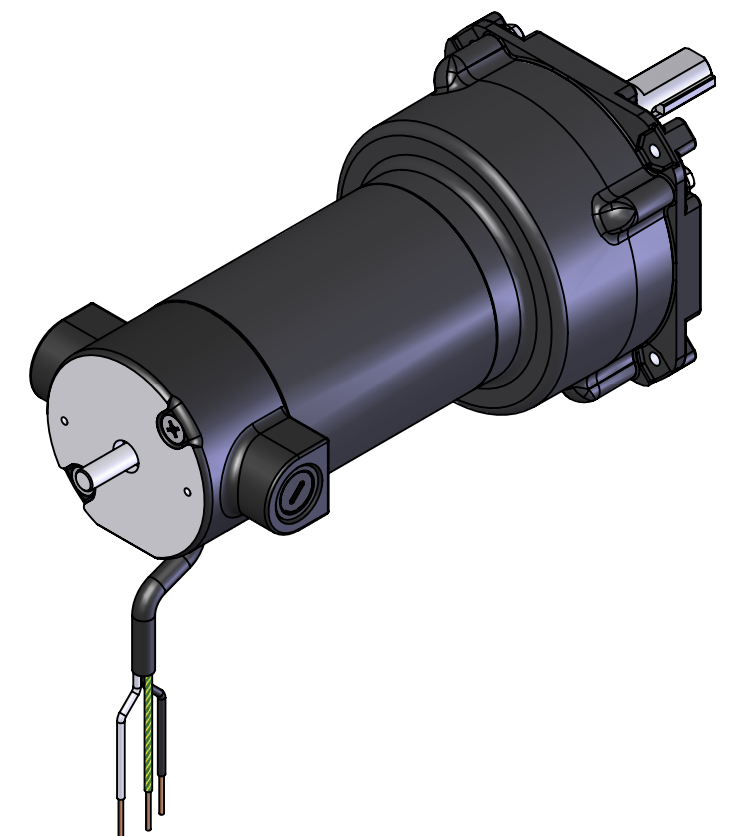
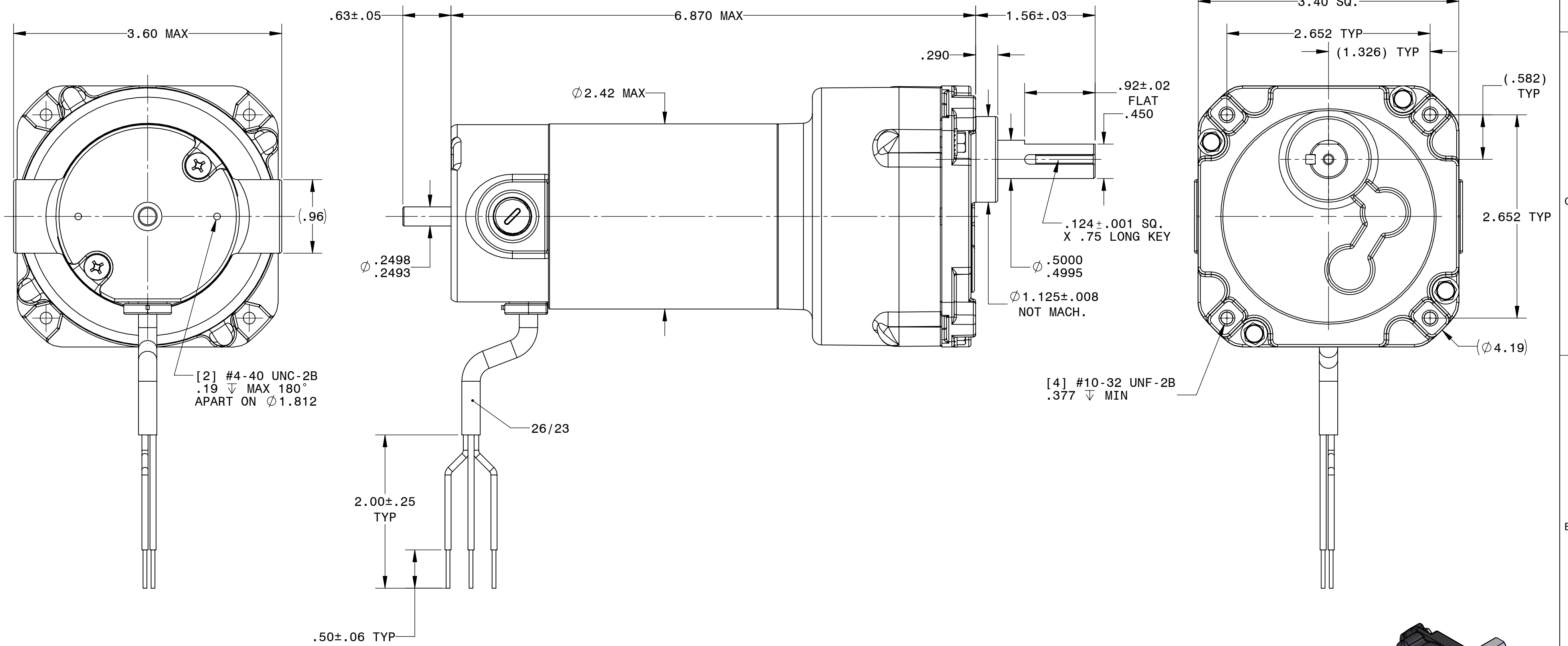


DESCRIPTION:
GEARMOTOR 24A4FEPM-Z2

SHEET: 1/1
SCALE: 1:1
C
UNLESS OTHERWISE SPECIFIED:
UNITS ARE IN INCHES [mm]
TOLERANCES: .XX:±.01 .XXX:±.005
ANGLES: X°:±3° X.X°:±0.5°



REPRESENTATIVE OF MODEL NUMBER(S):

4557 4558 4559 4957 4958 4959