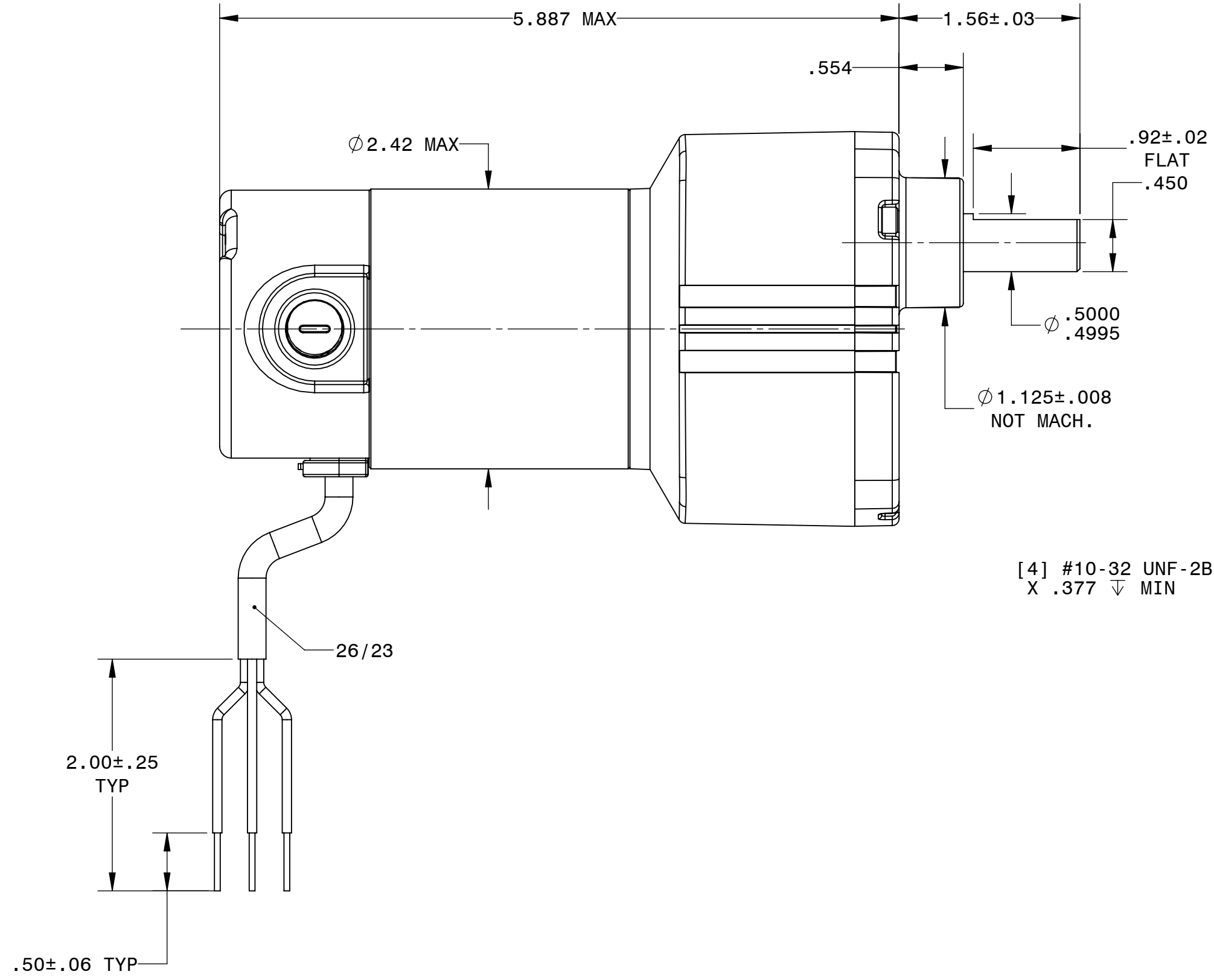
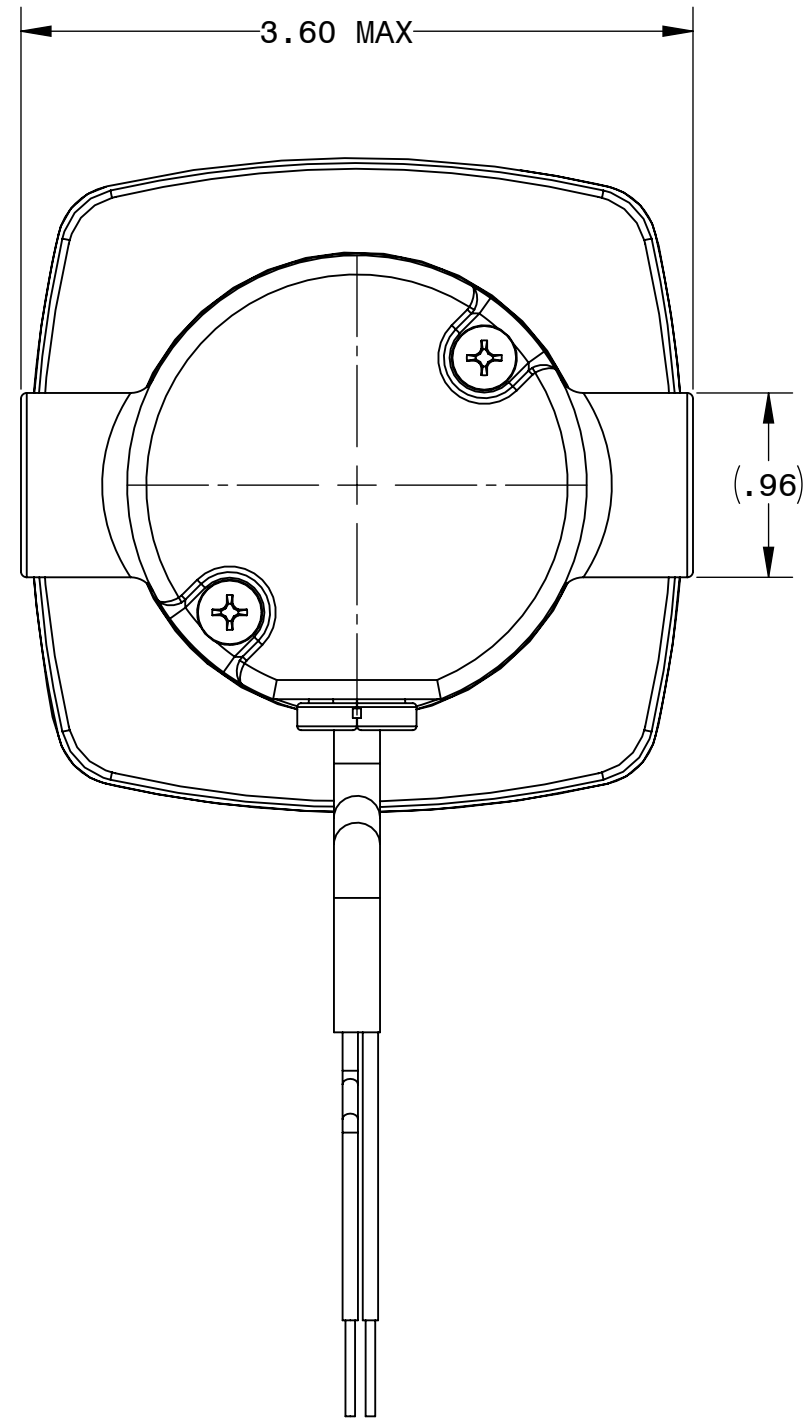
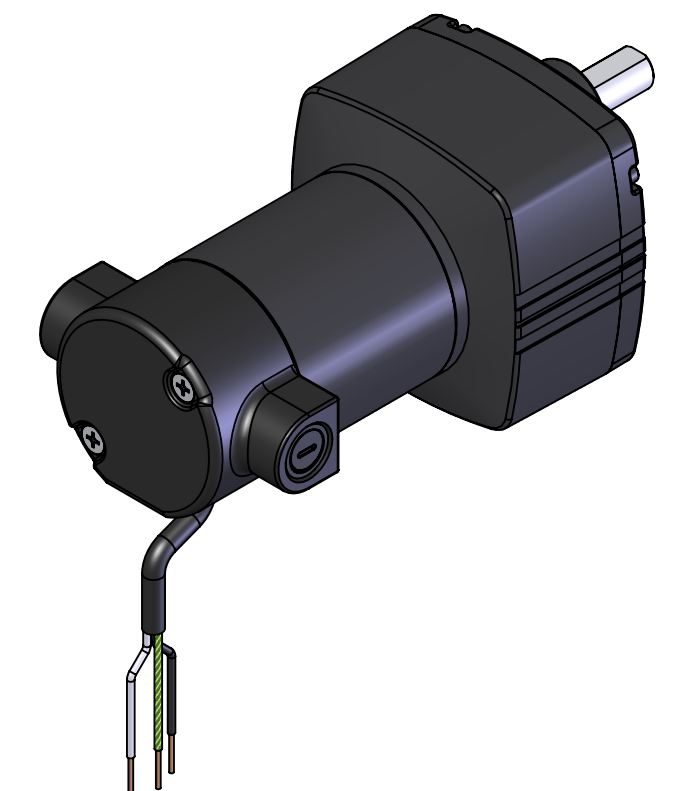
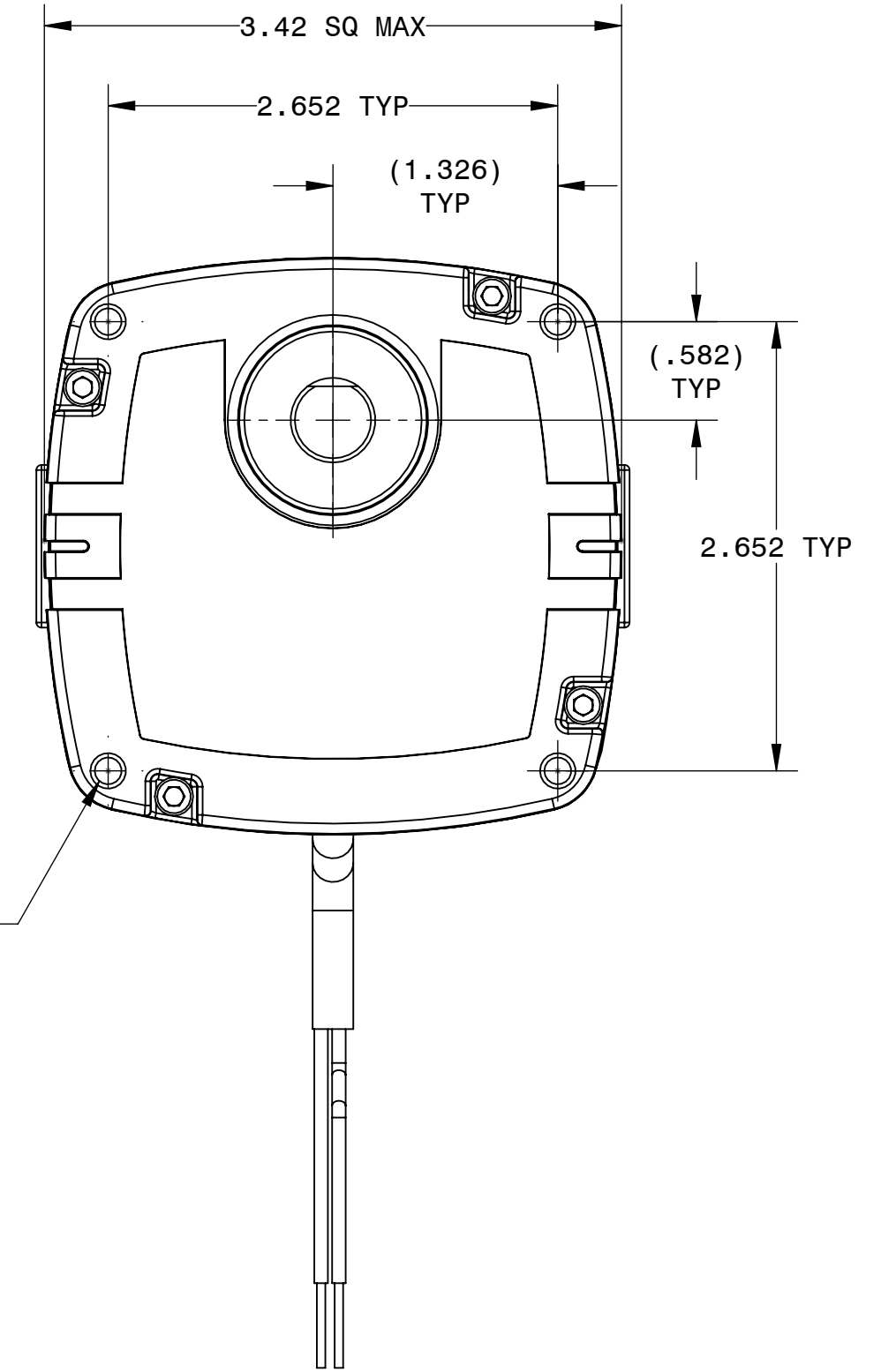




DESCRIPTION: GEARMOTOR 24A2BEPM-D3/4/5	
SHEET: 1/1	UNLESS OTHERWISE SPECIFIED:
SCALE: 1:1	UNITS ARE IN INCHES [mm]
C	TOLERANCES: .XX:±.01 .XXX:±.005
	ANGLES: X°:±3° X.X°:±0.5°



[4] #10-32 UNF-2B  
X .377 ↓ MIN



REPRESENTATIVE OF MODEL NUMBER(S):

0191 0192 0193 0194 0195 0196 0197 0198 0199 4791 4792 4793 4794 4795 4796 4797 4798 4799