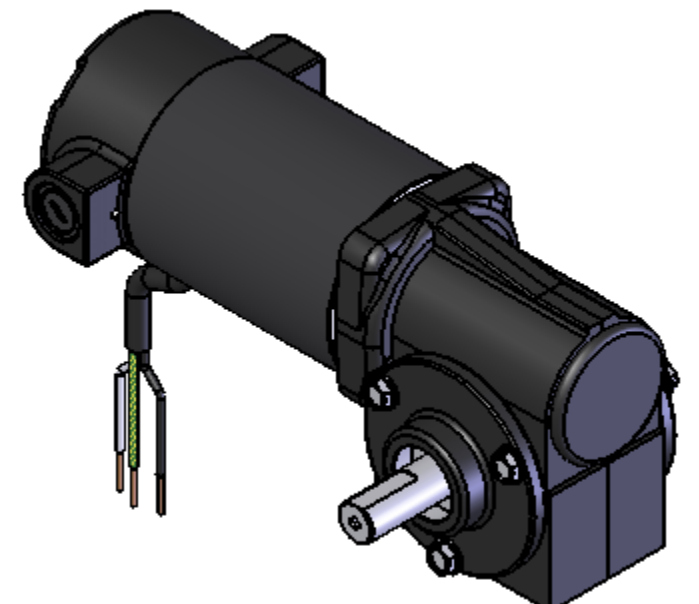
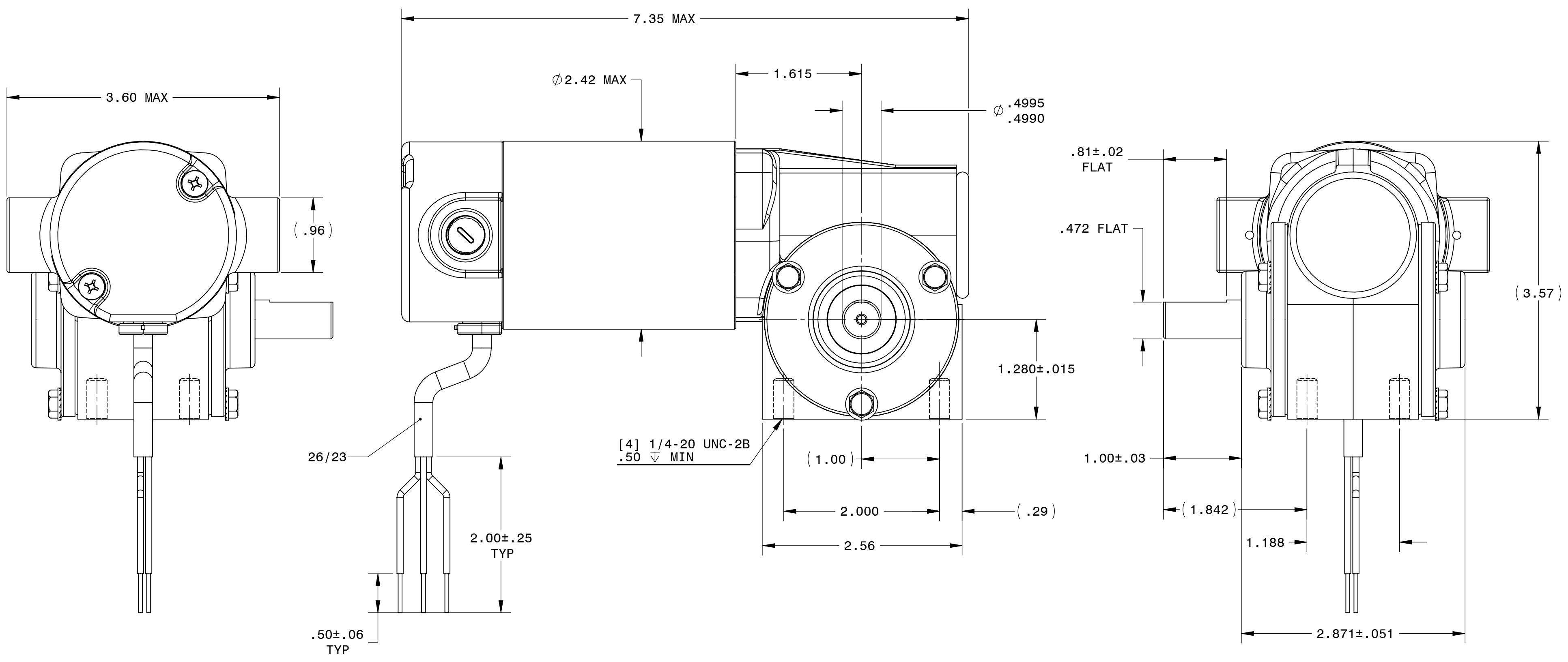


DESCRIPTION:
GEARMOTOR 24A4BEPM-3F

SHEET: 1/1
SCALE: 1:1
C
UNLESS OTHERWISE SPECIFIED:
UNITS ARE IN INCHES [mm]
TOLERANCES: .XX:±.01 .XXX:±.005
ANGLES: X°:±3° X.X°:±0.5°



REPRESENTATIVE OF MODEL NUMBER(S):
0093 0094 0096 0098 0099 4693 4694 4696 4698 4699