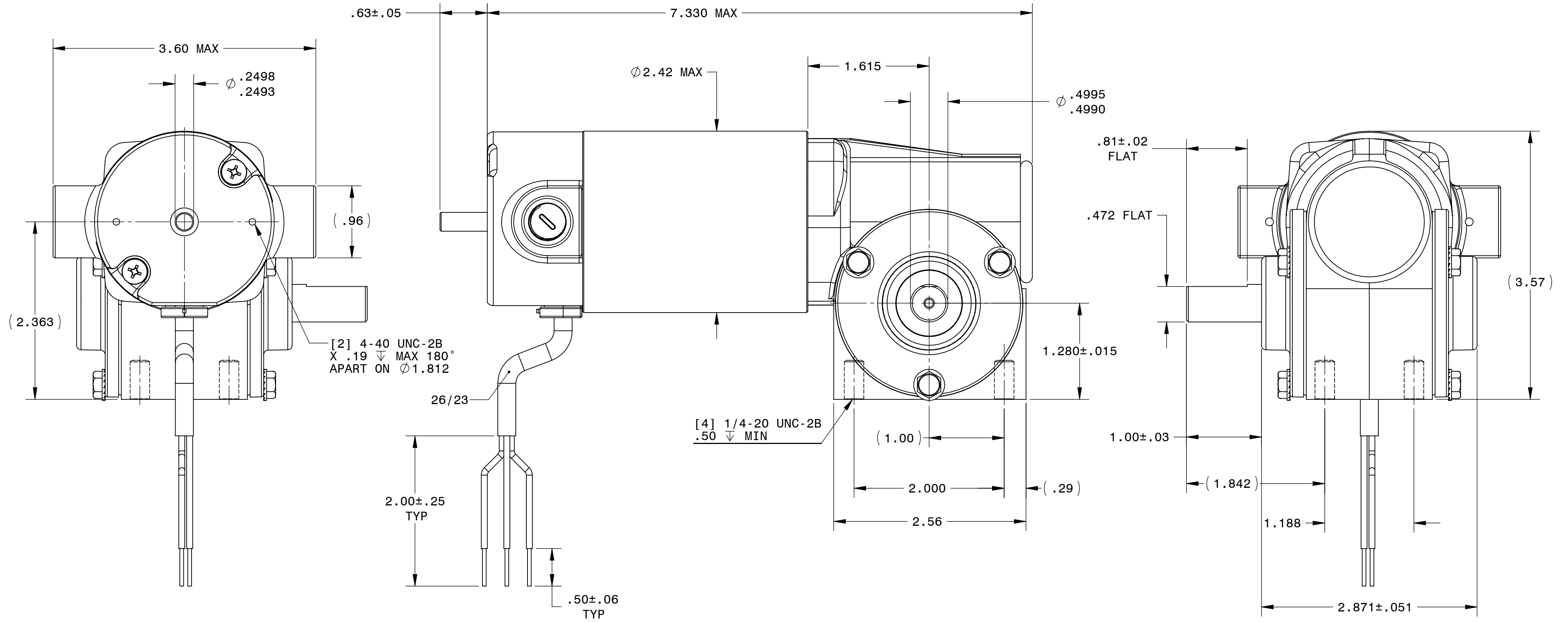


DESCRIPTION:
GEARMOTOR 24A4FEPM-3F

SHEET:	1/1	UNLESS OTHERWISE SPECIFIED:
SCALE:	1:1	UNITS ARE IN INCHES [mm]
C		TOLERANCES: .XX:±.01 .XXX:±.005
		ANGLES: X°:±3° X.X°:±0.5°



REPRESENTATIVE OF MODEL NUMBER(S):

4093 4094 4096 4098 4099 4893 4894 4896 4898 4899

