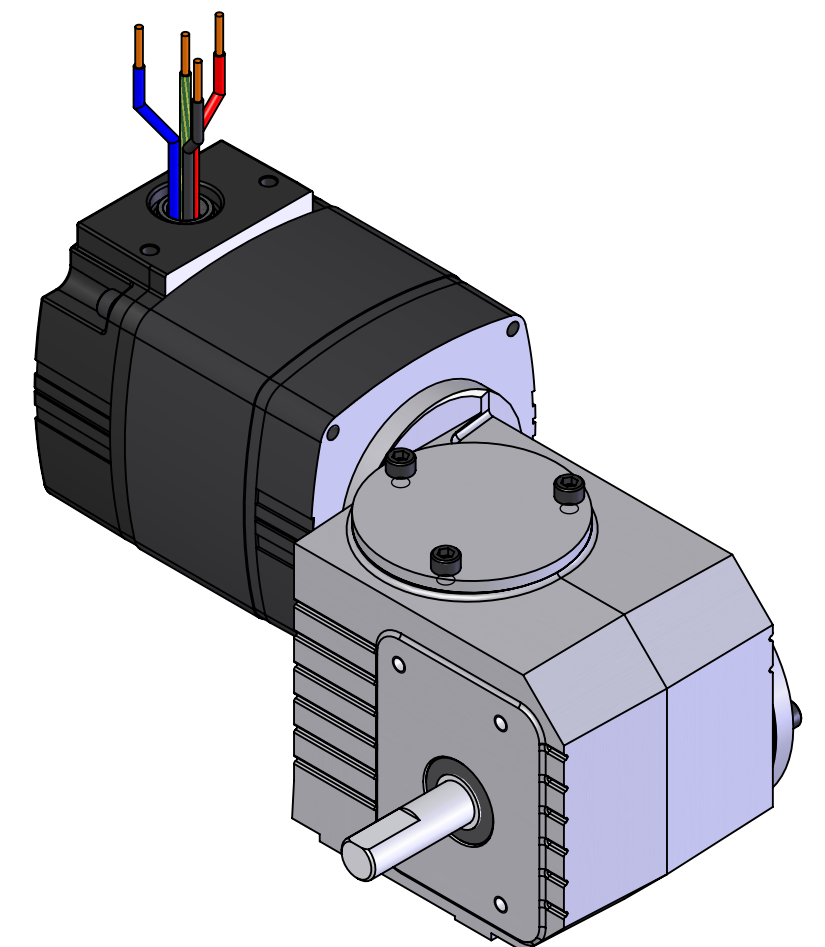
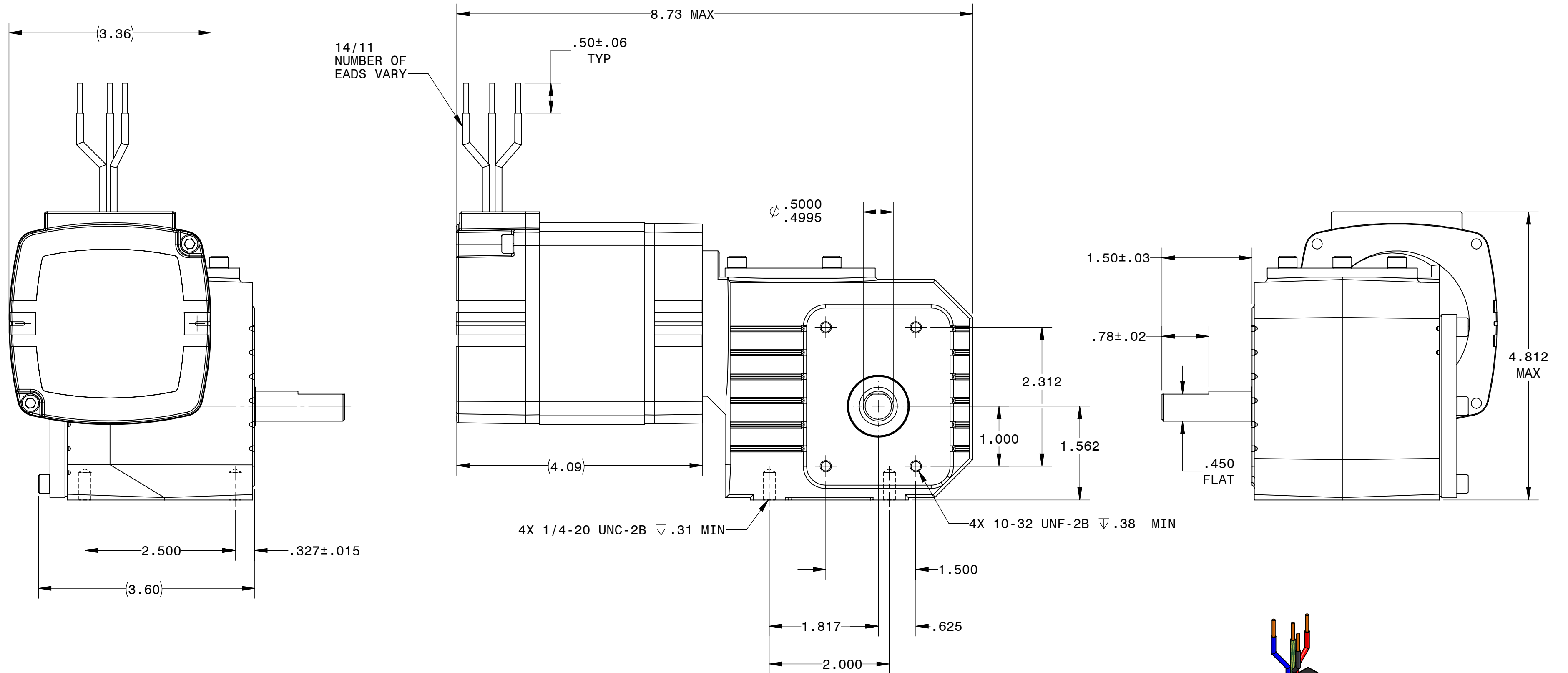




DESCRIPTION:
GEARMOTOR 30R4BECI-3RD

SHEET: 1/1
SCALE: 3:4
C

UNLESS OTHERWISE SPECIFIED:
UNITS ARE IN INCHES [mm]
TOLERANCES: .XX:±.01 .XXX:±.005
ANGLES: X°:±3° X.X°:±0.5°



REPRESENTATIVE OF MODEL NUMBER(S):
8002 8003 8006 8502 8503 8506