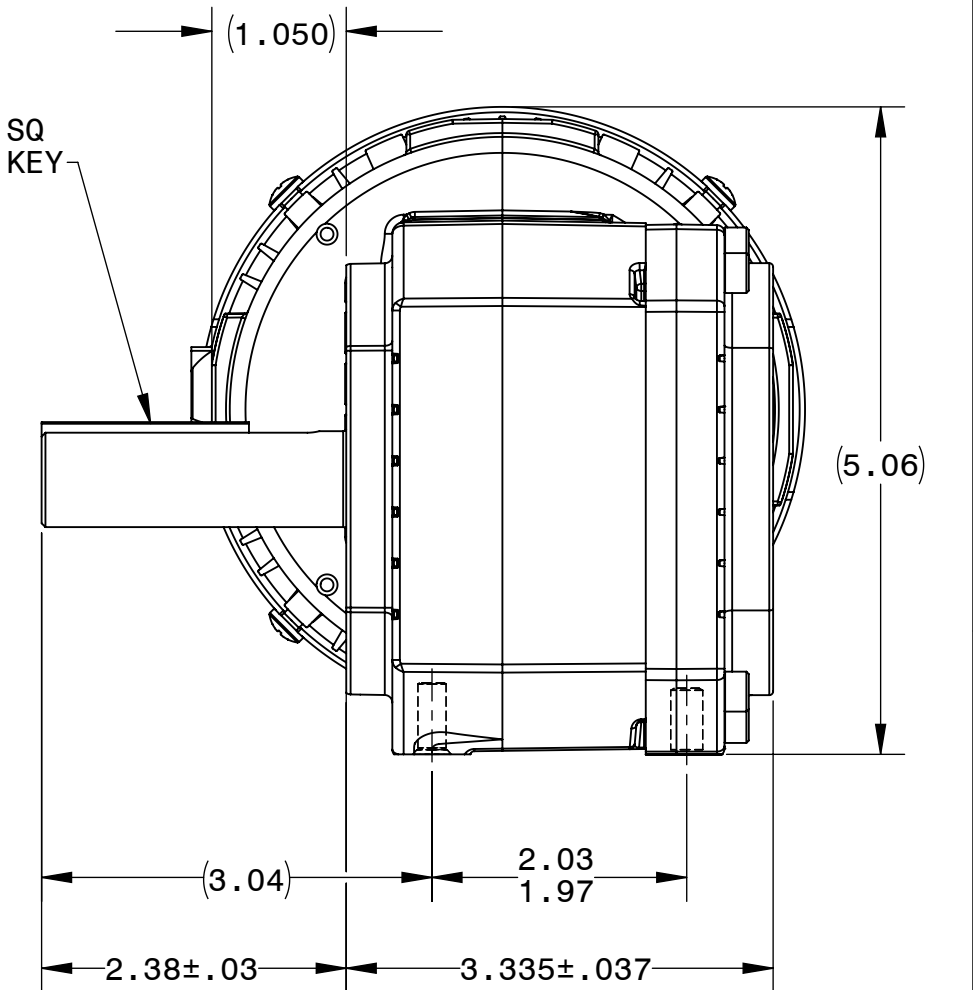
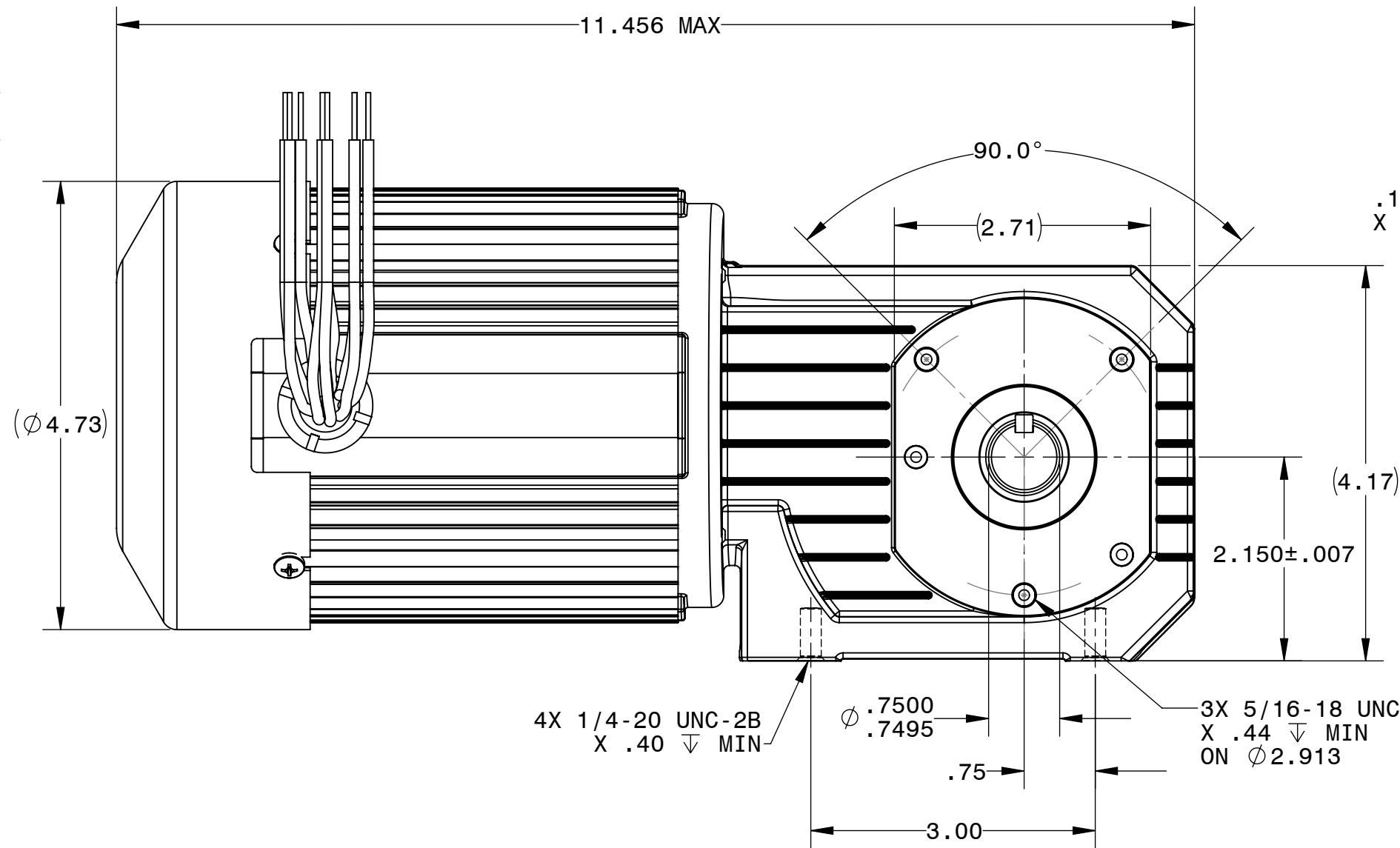
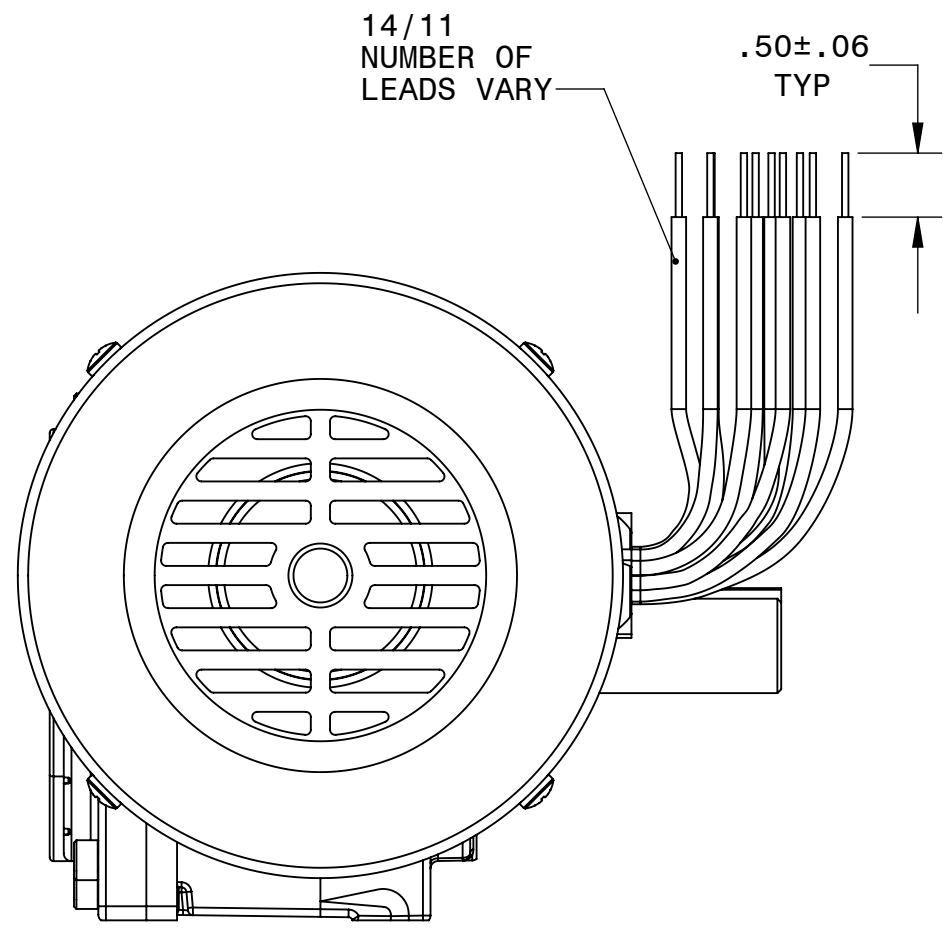




DESCRIPTION:  
GEARMOTOR 42R5BFCI/PP-GB

SHEET: 1/1	UNLESS OTHERWISE SPECIFIED:
SCALE: 2:3	UNITS ARE IN INCHES [mm]
C	TOLERANCES: .XX:±.01 .XXX:±.005
	ANGLES: X°:±3° X.X°:±0.5°



REPRESENTATIVE OF MODEL NUMBER(S):

5260 5261 5262 5264 5266 5270 5271 5272 5274 5276

